

# COMMERCIAL REFRIGERATION

GET READY FOR SUMMER WITH HUGE SAVINGS

Issue 149 - 2024

SHOP ONLINE



**Prodis**

Low Energy  
Stainless Steel  
Commercial Fridge  
522 Litre

NEW

ONLY

£824.99



Code	H x W x D (mm)	Price
GRN-1R-LE	2010 x 740 x 830	£824.99

B



**EMECO**

Barista Ice Cream  
Machine Soft Serve  
4.5 Litre



Code	H x W x D (mm)	Price
BARIC4	712 x 276 x 471	£1399.99

**POLAR**  
G-Series  
Prep Fridge



Code	H x W x D (mm)	Price
SPGL178	328 x 767 x 612	£449.99

C



**TEFCOLD**

Undercounter Fridge | 78 Litre

FROM

£369.99

Code	H x W x D (mm)	Price
UR200	855 x 600 x 585	£369.99
UR200S	855 x 600 x 585	£399.99

A

A



**POLAR**

G-Series  
Refrigerated  
Display Chiller



ONLY

£592.99



Code	Capacity	H x W x D (mm)	Price
SPCD230	160 Litre	686 x 886 x 568	£592.99

B

**POLAR**

G-Series  
Wine Fridge  
125 Litre



ONLY

£529.99



Code	H x W x D (mm)	Price
SPGG762	815 x 595 x 585	£529.99

**ALSTACO**

Modular Ice  
Machine  
140kg/24hrs  
180kg Storage



ONLY

£2899.99



Code	H x W x D (mm)	Price
CQ150STS200	1623 x 768 x 848	£2899.99



**POLAR**

NEW

ONLY

£1799.99

U-Series Ice Cream Machine

Code	H x W x D (mm)	Price
SPUA034	868 x 540 x 775	£1799.99



**POLAR**



NEW

ONLY

£1599.99

Code	H x W x D (mm)	Price
SPUA045	940 x 610 x 496	£1599.99



**Prodis**

Stainless Steel  
Counter Freezer  
with Upstand



NEW

FROM

£944.99

Code	H x W x D (mm)	Price
GRN-W2F	950 x 1360 x 700	£944.99
GRN-W3F	950 x 1795 x 700	£1109.99

D

D



# UPRIGHT FRIDGES



**BEST SELLER**  
FROM  
**£799.99**

**POLAR**  
**G-Series | 600 - 1200 Litre**  
• 2/1 GN compatible • -2°C to +5°C temp. range  
• 60mm insulation • Aluminium interior  
• Lockable, self-closing door • Ambient temperature: 32°C

Code	Door	Capacity	H x W x D (mm)	Price
SPG592	Single	600 Litre	2000 x 680 x 815	£799.99
SPG594	Double	1200 Litre	2000 x 1340 x 815	£1333.99



FROM  
**£1139.99**

**POLAR**  
**U-Series | 600 - 1300 Litre**  
• 2/1 GN compatible • -2°C to +5°C temp. range  
• 70mm insulation • 304 stainless steel interior  
• Lockable, self-closing door • Ambient temperature: 43°C

Code	Door	Capacity	H x W x D (mm)	Price
SPU632	Single	600 Litre	2010 x 745 x 835	£1139.99
SPU634	Double	1300 Litre	2010 x 1485 x 835	£1616.99



**NEW**  
FROM  
**£539.99**

**Prodis**  
**Single Door | White | 341-620 Litre**  
• 4 full size shelf, 1 half size shelf  
• Lockable, reversible door  
• +2°C to +10°C temperature range

Code	Capacity	H x W x D (mm)	Price
HC410R	341 Litre	1863 x 600 x 625	£539.99
HC610R	620 Litre	1863 x 775 x 760	£649.99



**NEW**  
ONLY  
**£582.49**

**Prodis**  
**Single Door | Stainless Steel | 341 Litre**  
• 4 full size shelf, 1 half size shelf  
• Lockable, reversible door  
• Digital temperature control  
• +2°C to +10°C temperature range

Code	Capacity	H x W x D (mm)	Price
HC410RSS	341 Litre	1863 x 600 x 625	£582.49



**NEW**  
ONLY  
**£824.99**

**Prodis**  
**Low Energy Fridge | Single Door**  
• 3 adjustable shelves  
• 15 integrated gastronorm supports  
• Lockable, reversible door  
• +2°C to +8°C temperature range

Code	Capacity	H x W x D (mm)	Price
GRN-1R-LE	522 Litre	2010 x 740 x 830	£824.99



**BEST SELLER**  
ONLY  
**£1019.99**

**POLAR**  
**G-Series | Single Stable Door**  
• 600 Litre Capacity  
• 2/1 GN compatible interior  
• -2°C to +5°C temp. range  
• 60mm insulation  
• Ambient temperature: 32°C  
• Lockable, self-closing door

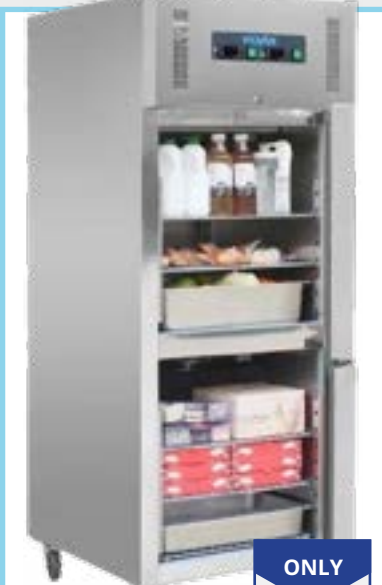
Code	Capacity	H x W x D (mm)	Price
SPCW193	600 Litre	2010 x 680 x 800	£1019.99



FROM  
**£560.99**

**POLAR**  
**C-Series**  
**Single Door | 400-600 Litre**  
• 2/1 GN compatible • Ambient temperature: 32°C  
• 60mm insulation • Lockable, self-closing door

Code	Capacity	H x W x D (mm)	Price
SPCD612	400 Litre	1850 x 600 x 600	£560.99
SPCD614	600 Litre	1890 x 780 x 695	£639.99
SPCD082	400 Litre	1850 x 600 x 600	£570.99
SPCD084	600 Litre	1890 x 780 x 695	£675.99



ONLY  
**£1369.99**

**POLAR**  
**U-Series | Fridge Freezer**  
• Dual temperature fridge/freezer  
• 4 adjustable anti-tilt shelves  
• -22°C to +8°C temp. range  
• Lockable doors  
• 60mm insulation  
• Automatic defrost

Code	H x W x D (mm)	Price
SPUA025	2000 x 680 x 810	£1369.99



**BEST SELLER**  
FROM  
**£689.99**

**GRAUPEL**  
**Upright Fridge | 580 - 1300 Litre**  
• 4 shelves per door  
• Bottom mounted compressor units  
• Self-closing and stay open door

Code	Door	Capacity	H x W x D (mm)	Price
GRF8950	Single	580 Litre	2112 x 685 x 800	£689.99
GRF8960	Double	1300 Litre	2112 x 1382 x 800	£964.99



FROM  
**£1566.67**

**williams**  
**Jade | Upright Fridge | 620-1295 Litre**  
• 2/1 GN compatible interior  
• 3 shelves per door  
• Lockable, self-closing door

Code	Door	Capacity	H x W x D (mm)	Price
HJ1-SA	Single	620 Litre	1960 x 727 x 824	£1566.67
HJ2-SA	Double	1295 Litre	1960 x 1400 x 824	£2389.99





# COUNTER FRIDGES



**FROM**  
**£652.99**

**POLAR**

## G-Series | Counter Fridge

- 1/1 GN compatible aluminium interior
- Ambient temperature: 32°C
- 1 sturdy shelf per door
- 35mm insulation, reduces costs
- +2°C to +5°C temp. range
- Solid self-closing doors



Code	Doors	Top	Capacity	H x W x D (mm)	Price	
SPU636	Double	Standard	240 Litre	880 x 900 x 700	£652.99	C
SPG622	Triple	Standard	368 Litre	880 x 1370 x 700	£848.99	C
SPCL108	Double	Marble	240 Litre	880 x 900 x 700	£754.99	C
SPCL109	Triple	Marble	368 Litre	880 x 1370 x 700	£924.99	C



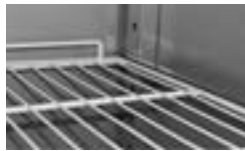
**NEW**

**FROM**  
**£784.99**

**Prodir**

## Counter Fridge

- 1/1 GN compatible interior
- Forced air cooling
- 1 sturdy shelf per door
- 60mm insulation, reduces costs
- -2°C to +8°C temp. range
- Castors fitted as standard



Code	Doors	Upstand	Capacity	H x W x D (mm)	Price	
GRN-C2R	Double	Without	283 Litre	850 x 1360 x 700	£784.99	B
GRN-C3R	Triple	Without	416 Litre	850 x 1795 x 700	£954.99	B
GRN-W2R	Double	With	283 Litre	950 x 1360 x 700	£794.99	B
GRN-W3R	Triple	With	416 Litre	950 x 1795 x 700	£964.99	B



**POLAR**

## G-Series Single Door | 2 Drawer

- 240 litre capacity
- 1/1 GN compatible interior
- +2°C to +5°C temp. range
- Ambient temperature: 32°C
- Automatic off-cycle defrost
- Solid self-closing door

**BEST SELLER**

**ONLY**  
**£894.99**



Code	H x W x D (mm)	Price
SPU637	880 x 900 x 700	£894.99



**POLAR**

## G-Series Counter Fridge | Drawer

- 4/6 drawer option - 240/205 litre
- Ambient temperature: 32°C
- 1/1GN compatible drawers
- +2°C to +5°C temp. range



**FROM**  
**£1099.99**

Code	Drawer	H x W x D (mm)	Price
SPU638	4 (240L)	880 x 900 x 700	£1099.99
SPCR711	6 (205L)	870 x 1370 x 700	£1369.99



**FROM**  
**£1274.99**

**POLAR**

## G-Series | Counter Fridge

- 1/1 GN compatible drawers
- Ambient temperature: 32°C
- Automatic off-cycle defrost
- Aluminium interior
- +2°C to +5°C temp. range



Code	Drawer	H x W x D (mm)	Price
SPFA440	6 (240L)	880 x 903 x 700	£1274.99
SPFA441	9 (368L)	880 x 1365 x 700	£1654.99



**FROM**  
**£849.99**

**Prodir**

## Counter Fridge

- 1/1 GN compatible
- Fan assisted cooling
- +2°C to +8°C temp. range
- Digital temperature control



Code	Drawer	H x W x D (mm)	Price
EC-4DSS	4 (240L)	870 x 900 x 700	£849.99
EC-6DSS	6 (368L)	870 x 1365 x 700	£1259.99



**FROM**  
**£2274.99**

**williams**

## Jade | Counter Fridge

- 2 door 374 litre
- +1°C to +4°C (regular temp. range)
- -2°C to +2°C (meat temp. range)
- Ambient temperature: 43°C



Code	Type	H x W x D (mm)	Price
HJC2-SA	Regular	857 x 1400 x 700	£2274.99
MJC2-SA	Meat	857 x 1400 x 700	£2482.49



**FROM**  
**£934.99**

**POLAR**

## U-Series | Counter Fridge

- 1/1 GN compatible interior
- Ambient temperature: 43°C
- 2/3 sturdy shelves
- 50mm insulation, reduces costs
- Solid self-closing doors
- -2°C to +5°C temp. range



Code	Doors	Upstand	Capacity	H x W x D (mm)	Price	
SPG596	Double	Without	282 Litre	860 x 1360 x 700	£1079.99	B
SPG597	Triple	Without	417 Litre	860 x 1795 x 700	£1242.99	B
SPDL914	Double	With	282 Litre	960 x 1360 x 700	£934.99	B
SPDL915	Triple	With	417 Litre	950 x 1795 x 700	£1273.49	B



**POLAR**

## G-Series | Single Door | 88 Litre

- 1/1 GN compatible aluminium interior
- Ambient temperature: 32°C
- 2 fan assisted cooling, reduces costs
- Automatic off-cycle defrost
- Solid self-closing door



**ONLY**  
**£507.99**

Code	H x W x D (mm)	Price
SPFA442	870 x 478 x 700	£507.99



**POLAR**

## G-Series | 2 Drawers | 65 Litre

- 1/1 GN compatible aluminium drawers
- Ambient temperature: 32°C
- Space-saving countertop design
- Automatic defrost
- +2°C to +8°C temp. range



**ONLY**  
**£805.99**

Code	H x W x D (mm)	Price
SPGH332	868.5 x 478 x 700	£805.99

# UNDERCOUNTER FRIDGES



**BEST SELLER**

**FROM**  
**£360.99**

**POLAR**

## C-Series Undercounter Fridge | 150 Litre

- 150 Litre Capacity
- 2 main shelves, single half shelf
- +2°C to +8°C temp. range
- 40mm insulation, reduces costs
- Lockable & reversible door
- Ambient temperature: 32°C



Code	H x W x D (mm)	Price
SPCD610	850 x 600 x 600	£360.99
SPCD080	855 x 600 x 585	£366.99



**NEW**

**FROM**  
**£344.99**

**Prodir**

## Undercounter Fridge | 139 Litre

- 139 Litre Capacity
- Fan assisted cooling
- Lockable, reversible door
- +2°C to +10°C temp. range
- Ambient temperature: 30°C



Code	H x W x D (mm)	Price
HC210R	853 x 600 x 625	£344.99
HC210RSS	853 x 600 x 625	£359.99



**BEST SELLER**

**FROM**  
**£369.99**

**TEFCOLD**

## Undercounter Fridge | 78 Litre

- 3 shelves
- Fan assisted cooling
- Powerful forced air cooling
- Lockable, reversible door
- +2°C to +10°C temp. range
- Ambient temperature: 30°C



Code	H x W x D (mm)	Price
UR200	855 x 600 x 585	£369.99
UR200S	855 x 600 x 585	£399.99





# SALADETTES & PREP STATIONS



## POLAR G-Series | Saladette Prep Counter Fridge

- 1/1 GN compatible interior
- Strong polypropylene chopping board
- 35mm insulation
- Automatic defrost
- 1 adjustable shelf per door
- Ambient temperature: 32°C

FROM  
**£663.99**

Code	Doors	Capacity	H x W x D (mm)	Price
SPG606	Double	240 Litre	885 x 900 x 700	£663.99
SPG607	Triple	368 Litre	885 x 1370 x 700	£809.99



## Prodis Prep Counter Fridge with Topping Well

- 1/1 GN compatible interior
- 5/8x 1/6 GN capacity topping well
- Ambient temperature: 32°C
- 1 adjustable shelf per door
- +2°C to +8°C temp. range
- Fan assisted cooling

FROM  
**£544.99**

Code	Doors	Capacity	H x W x D (mm)	Price
EC-2PREP	Double	240 Litre	1006 x 900 x 700	£544.99
EC-3PREP	Triple	410 Litre	1006 x 1365 x 700	£739.99



## POLAR G-Series | Salad/Pizza Prep Counter Fridge

- 5 x 1/6 GN (2 door) 8 x 1/4 GN (3 door) counter area
- Ambient temperature: 32°C
- Aluminium interior
- Automatic defrost aids cooling performance
- +2°C to +8°C temp. range
- Accurate, user-friendly digital controls
- 2/3 adjustable shelves



Code	Doors	Capacity	H x W x D (mm)	Price
SPG604	Double	254 Litre	1010 x 900 x 700	£739.99
SPG605	Triple	390 Litre	1010 x 1370 x 700	£1099.99

# PIZZA PREP STATIONS



## POLAR G-Series | Pizza Prep Counter Fridge | 288 Litre

- 5 x 1/6 GN countertop area for quick access to ingredients
- 2 adjustable shelves & 2 floor protectors - maximises storage capacity
- Stick-resistant stay-cool granite countertop workspace
- Ambient temperature: 32°C
- 2 Solid doors with removable door seals, aluminium interior
- User-friendly digital temperature controls and display

ONLY  
**£743.99**

Code	Doors	Capacity	H x W x D (mm)	Price
SPG603	Double	288 Litre	1100 x 900 x 700	£743.99



## POLAR G-Series | Pizza Prep Glass Top Fridge | 436 Litre

- Glass sneeze guard helps to improve hygiene
- Ambient temperature: 23°C
- 3 adjustable shelves & 3 floor protectors - maximises storage capacity
- Gastronorm compatible well and cabinet, aluminium interior
- Automatic off-cycle defrost
- 3 Solid doors with removable door seals

ONLY  
**£1316.99**

Code	Doors	Capacity	H x W x D (mm)	Price
SPGH267	Triple	436 Litre	1180 x 1370 x 700	£1316.99



## Saladette with Drop In Well

- 1/1 GN compatible
- Fan assisted cooling
- 2/3x 1/1 GN shelves
- 2/4x 1/1GN topping well
- Off-cycle defrost
- Digital temp. control
- Rounded interior corners
- +2°C to +8°C temp. range
- Pans not supplied

FROM  
**£494.99**

Code	Doors	Capacity	H x W x D (mm)	Price
EC-2SALAD	Double	240 Litre	882 x 900 x 700	£494.99
EC-3SALAD	Triple	410 Litre	882 x 1365 x 700	£729.99



## Onyx Prep Counter

- 3/4/5 door option
- 320/420/1137 litre
- Forced air cooling for overnight storage
- 1/3 GN compatible
- Lid for overnight storage
- Swivel and brake castors
- Magnetic balloon gaskets
- Self closing doors

FROM  
**£4407.49**

Code	Doors	Capacity	H x W x D (mm)	Price
HCPC3-S3	3	320 Litre	1110 x 1420 x 859	£4407.49
HCPC4-S3	4	420 Litre	1110 x 1885 x 589	£5133.29
HCPC5-S3	5	1137 Litre	1110 x 2370 x 859	£6249.99



## GRAUPEL Saladette with Drop In Well/Topping Unit

- 2/3 door option (300/380 litre)
- 1 shelf & 1 base shelf per door
- Removable chopping board
- (GRF3853) 7x 1/6GN pans included
- (GRF3832) 5x 1/6GN pans included
- (GRF3850) 12x 1/3GN pans included
- (GRF3800) 7x 1/3GN & 1x 1/6GN pans included

Code	Doors	Top. Unit	H x W x D (mm)	Price
GRF3800	Double	Without	910 x 900 x 700	£554.99
GRF3850	Triple	Without	947 x 1369 x 700	£749.99
GRF3832	Double	With	1099 x 900 x 700	£564.99
GRF3853	Triple	With	1099 x 1365 x 700	£774.99



FROM  
**£554.99**

## POLAR G-Series | Saladette Prep Counter Fridge

- 1/1 GN compatible interior
- Ambient temperature: 32°C
- Automatic defrost
- Rapid access to ingredients
- Aluminium interior
- Always on display
- Easy clean construction
- Polypropylene chopping board

ONLY  
**£564.99**

Code	Capacity	H x W x D (mm)	Price
SPGH333	109 Litre	858 x 438 x 700	£564.99



## POLAR G-Series | Pizza Prep Marble Counter Fridge | 368 Litre

- 3 adjustable shelves
- Powerful forced air cooling
- Aluminium interior
- Automatic defrost
- User-friendly digital controls
- Ambient temperature: 5-32°C

ONLY  
**£1044.99**

Code	H x W x D (mm)	Price
SPCN402	1021 x 1400 x 700	£1044.99



## POLAR G-Series | Pizza Prep Marble Counter with Dough Drawers | 368 Litre

- 1/1 GN compatible interior
- Aluminium interior
- 201 litre usable capacity
- Two shelves
- Stay-cool granite work surface
- Dough drawers keep dough fresh
- Ambient temperature: 32°C

ONLY  
**£1229.99**

Code	H x W x D (mm)	Price
SPCT425	1060 x 1420 x 700	£1229.99



## POLAR G-Series | Pizza Prep Counter Fridge with Topping Unit | 368 Litre

- 1/4 GN compatible topper. Aluminium interior
- 3 shelves & 3 floor protectors
- Ambient temperature: 32°C
- 35mm insulation
- Fan assisted cooling, auto defrost

ONLY  
**£1399.99**

Code	H x W x D (mm)	Price
SPCN267	1445 x 1400 x 700	£1399.99





# TOPPING UNITS



**Prodis**  
**Topping Unit with Lid**  
 • 1/3 GN compatible • Robust stainless steel lid  
 • Side mounted compressor • +2°C to +8°C temperature range

Code	Size	GN	H x W x D (mm)	Price
EC-T12S	1200mm	x4 1/3	435 x 1200 x 395	£349.99
EC-T15S	1500mm	x6 1/3	435 x 1500 x 395	£379.99
EC-T18S	1800mm	x8 1/3	435 x 1800 x 395	£419.99

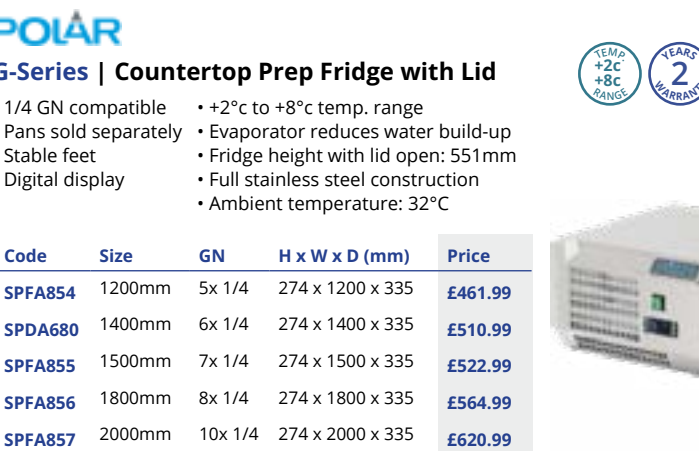
**NEW**  
 FROM **£349.99**  
 TEMP +2C +8C RANGE  
 YEARS 2 WARRANTY



**Prodis**  
**Topping Unit with Glass Top**  
 • 1/3 GN compatible • Attractive curved glass screen  
 • Side mounted compressor • +2°C to +8°C temperature range

Code	Size	GN	H x W x D (mm)	Price
EC-T12G	1200mm	x4 1/3	435 x 1200 x 395	£371.99
EC-T15G	1500mm	x6 1/3	435 x 1500 x 395	£384.99
EC-T18G	1800mm	x8 1/3	435 x 1800 x 395	£417.99

**NEW**  
 FROM **£371.99**  
 TEMP +2C +8C RANGE  
 YEARS 2 WARRANTY



**POLAR**  
**G-Series | Countertop Prep Fridge with Lid**  
 • 1/4 GN compatible • +2°C to +8°C temp. range  
 • Pans sold separately • Evaporator reduces water build-up  
 • Stable feet • Fridge height with lid open: 551mm  
 • Digital display • Full stainless steel construction  
 • Ambient temperature: 32°C

Code	Size	GN	H x W x D (mm)	Price
SPFA854	1200mm	5x 1/4	274 x 1200 x 335	£461.99
SPDA680	1400mm	6x 1/4	274 x 1400 x 335	£510.99
SPFA855	1500mm	7x 1/4	274 x 1500 x 335	£522.99
SPFA856	1800mm	8x 1/4	274 x 1800 x 335	£564.99
SPFA857	2000mm	10x 1/4	274 x 2000 x 335	£620.99

TEMP +2C +8C RANGE  
 YEARS 2 WARRANTY



**POLAR**  
**G-Series | Countertop Prep Fridge with Glass Top**  
 • 1/4 GN compatible • Continual evaporator prevents water build-up  
 • Pans sold separately • +2°C to +8°C temp. range  
 • Ambient temp.: 32°C • Glass sneeze guard improves hygiene  
 • Full stainless steel construction

Code	Size	GN	H x W x D (mm)	Price
SPGD875	1200mm	3x 1/3 & 1x 1/2	435 x 1200 x 395	£456.99
SPG608	1200mm	5x 1/4	435 x 1200 x 330	£395.99
SPAB090	1400mm	6x 1/4	435 x 1400 x 330	£509.99
SPGD876	1500mm	5x 1/3 & 1x 1/2	435 x 1500 x 395	£520.99
SPG609	1500mm	7x 1/4	435 x 1500 x 330	£574.99
SPGD877	1800mm	8x 1/3	435 x 1800 x 395	£534.99
SPG610	1800mm	8x 1/4	435 x 1800 x 330	£549.99
SPGD878	2000mm	9x 1/3	435 x 2000 x 395	£602.99
SPG611	2000mm	10x 1/4	435 x 2000 x 330	£620.99

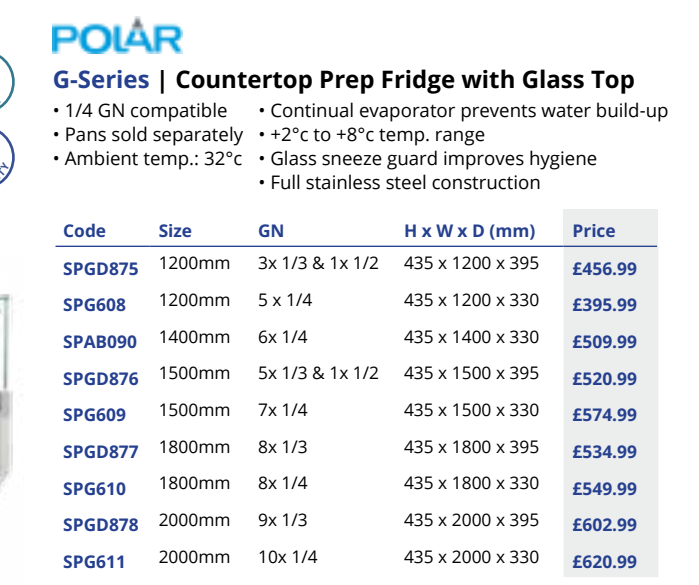
TEMP +2C +8C RANGE  
 YEARS 2 WARRANTY



**POLAR**  
**G-Series | Countertop Prep Fridge with Glass Top**  
 • 1/4 GN compatible • Continual evaporator prevents water build-up  
 • Pans sold separately • +2°C to +8°C temp. range  
 • Ambient temp.: 32°C • Glass sneeze guard improves hygiene  
 • Full stainless steel construction

Code	Size	GN	H x W x D (mm)	Price
SPGD875	1200mm	3x 1/3 & 1x 1/2	435 x 1200 x 395	£456.99
SPG608	1200mm	5x 1/4	435 x 1200 x 330	£395.99
SPAB090	1400mm	6x 1/4	435 x 1400 x 330	£509.99
SPGD876	1500mm	5x 1/3 & 1x 1/2	435 x 1500 x 395	£520.99
SPG609	1500mm	7x 1/4	435 x 1500 x 330	£574.99
SPGD877	1800mm	8x 1/3	435 x 1800 x 395	£534.99
SPG610	1800mm	8x 1/4	435 x 1800 x 330	£549.99
SPGD878	2000mm	9x 1/3	435 x 2000 x 395	£602.99
SPG611	2000mm	10x 1/4	435 x 2000 x 330	£620.99

TEMP +2C +8C RANGE  
 YEARS 2 WARRANTY



**POLAR**  
**G-Series | Countertop Prep Fridge with Glass Top**  
 • 1/4 GN compatible • Continual evaporator prevents water build-up  
 • Pans sold separately • +2°C to +8°C temp. range  
 • Ambient temp.: 32°C • Glass sneeze guard improves hygiene  
 • Full stainless steel construction

Code	Size	GN	H x W x D (mm)	Price
SPGD875	1200mm	3x 1/3 & 1x 1/2	435 x 1200 x 395	£456.99
SPG608	1200mm	5x 1/4	435 x 1200 x 330	£395.99
SPAB090	1400mm	6x 1/4	435 x 1400 x 330	£509.99
SPGD876	1500mm	5x 1/3 & 1x 1/2	435 x 1500 x 395	£520.99
SPG609	1500mm	7x 1/4	435 x 1500 x 330	£574.99
SPGD877	1800mm	8x 1/3	435 x 1800 x 395	£534.99
SPG610	1800mm	8x 1/4	435 x 1800 x 330	£549.99
SPGD878	2000mm	9x 1/3	435 x 2000 x 395	£602.99
SPG611	2000mm	10x 1/4	435 x 2000 x 330	£620.99

TEMP +2C +8C RANGE  
 YEARS 2 WARRANTY



**POLAR**  
**G-Series Prep Fridge with Lid**  
 • 1/3 GN compatible  
 • Ambient temperature: 32°C  
 • Optimum temperature for food: 6°C

Code	H x W x D (mm)	Price
SPGL178	328 x 767 x 612	£449.99

ONLY **£449.99**  
 TEMP 0C +12C RANGE  
 YEARS 2 WARRANTY



**POLAR**  
**U-Series | Topping Unit Counter Fridge**  
 • 154 litre capacity  
 • 1/6 GN compatible  
 • Solid self-closing doors  
 • Supplied with 8x 1/6 GN pans

Code	H x W x D (mm)	Price
SPUA009	1100 x 735 x 760	£794.99

TEMP 0C +5C RANGE  
 YEARS 2 WARRANTY

# CHEF BASE FRIDGES



**POLAR**  
**U-Series | Chef Base Fridge | Low Height**  
 • 1/1 GN compatible • 1 shelf per door  
 • -2°C to +8°C temperature range • Lockable castors

Code	Capacity	H x W x D (mm)	Price
SPDA462	2 Door (127L)	650 x 1360 x 700	£934.99
SPDA463	3 Door (194L)	650 x 1795 x 700	£1129.99


TEMP -2C +8C RANGE  
 YEARS 2 WARRANTY



**POLAR**  
**U-Series | Chef Base Fridge | Low Height**  
 • 1/1 GN compatible • -2°C to +8°C temp. range  
 • 50mm insulation • Ambient temperature: 40°C

Code	Drawers	H x W x D (mm)	Price
SPDA465	6 Drawer	650 x 1795 x 700	£1539.99

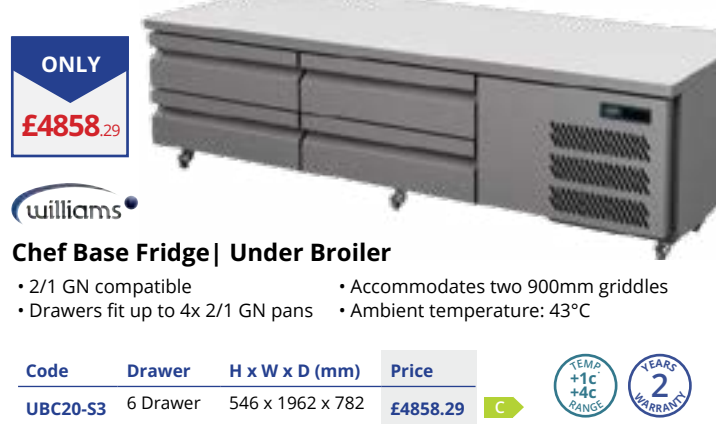
ONLY **£1539.99**  
 TEMP -2C +8C RANGE  
 YEARS 2 WARRANTY



**williams**  
**Chef Base Fridge | Under Broiler**  
 • 2/1 GN compatible • Ambient temperature: 43°C  
 • Drawer opening: 1407mm • Accommodates one 600mm griddle

Code	Drawer	H x W x D (mm)	Price
UBC5-S3	2 Drawer	600 x 1000 x 782	£3749.99
UBC7-S3	2 Drawer	546 x 1300 x 782	£4070.79

TEMP +1C +4C RANGE  
 YEARS 2 WARRANTY



**williams**  
**Chef Base Fridge | Under Broiler**  
 • 2/1 GN compatible • Accommodates two 900mm griddles  
 • Drawers fit up to 4x 2/1 GN pans • Ambient temperature: 43°C

Code	Drawer	H x W x D (mm)	Price
UBC20-S3	6 Drawer	546 x 1962 x 782	£4858.29

ONLY **£4858.29**  
 TEMP +1C +4C RANGE  
 YEARS 2 WARRANTY

# CHEF BASE FREEZERS



**POLAR**  
**U-Series | Chef Base Fridge Freezer**  
 • 1/1 GN compatible • -20°C to +10°C temp range  
 • 2/3x GN capacity • Ambient temperature: 32°C

Code	Drawer	H x W x D (mm)	Price
SPDA994	1 Drawer	605 x 905 x 700	£989.99
SPDA995	1 Drawer	605 x 1230 x 700	£1299.99
SPDA996	2 Drawer	870 x 905 x 700	£1464.99


TEMP -20C +10C RANGE  
 YEARS 2 WARRANTY



**POLAR**  
**U-Series | Chef Base Fridge Freezer**  
 • 1/1 GN compatible • Ambient temperature: 32°C  
 • 3x GN capacity • Automatic defrost  
 • Dual temp control • Full stainless steel construction  
 • Fridge -2°C to +10°C | Freezer -10°C to -20°C

Code	Drawer	H x W x D (mm)	Price
SPDA997	2 Drawer	870 x 1230 x 700	£1659.99

TEMP -20C +10C RANGE  
 YEARS 2 WARRANTY



**williams**  
**Fridge Freezer Chefs Draw**  
 • 1/1 GN compatible • Ambient temperature: 43°C  
 • 2x GN capacity • CoolSmart control • Dual temperature control  
 • Fridge +1°C to +4°C | Freezer -18°C to -22°C

Code	Drawer	H x W x D (mm)	Price
VSWCD1	1 Drawer	486 x 1100 x 670	£1824.99

ONLY **£1824.99**  
 TEMP -22C +4C RANGE  
 YEARS 2 WARRANTY

# BLAST CHILLERS



**POLAR**  
**G-Series | Countertop Blast Chiller/Freezer**  
 • 3x 2/3 GN capacity  
 • 2/3 GN compatible  
 • Ambient temperature: 32°C  
 • Chills 8kg: +70-+3°C in 90 mins  
 • Freezes 5kg: +70--18°C in 240 mins

Code	H x W x D (mm)	Price
SPCK640	420 x 660 x 650	£1287.99

ONLY **£1287.99**  
 YEARS 2 WARRANTY



**POLAR**  
**U-Series | Blast Chiller with Touchscreen**  
 • 1/1 GN compatible  
 • Chills 8kg: +70-+3°C in 90 mins  
 • Freezes 5kg: +70--18°C in 240 mins

Code	Capacity	H x W x D (mm)	Price
SPUA014	3 Tray	965 x 804 x 826	£2449.99
SPUA015	5 Tray	1035 x 804 x 826	£2749.90
SPUA016	10 Tray	1885 x 800 x 815	£3249.99

ONLY **£1287.99**  
 YEARS 2 WARRANTY





# UPRIGHT FREEZERS



## POLAR G-Series | Upright Freezer | 600 - 1200 Litre

- 60mm insulation
- Aluminium interior
- Lockable, self-closing door
- Ambient temperature: 32°C

Code	Door	Capacity	H x W x D (mm)	Price
SPG593	Single	600 Litre	2000 x 680 x 815	£1088.99
SPG595	Double	1200 Litre	2000 x 1345 x 815	£1460.99

FROM  
£1088.99

2 YEARS WARRANTY

TEMP RANGE  
-20°C  
-10°C



## POLAR U-Series | Upright Freezer | 650 - 1300 Litre

- 3 2/1 GN shelves per door
- Stainless steel interior
- Lockable, self-closing door
- Ambient temperature: 43°C

Code	Door	Capacity	H x W x D (mm)	Price
SPU633	Single	650 Litre	2010 x 745 x 835	£1324.99
SPU635	Double	1300 Litre	2010 x 1485 x 835	£1879.99

FROM  
£1324.99

2 YEARS WARRANTY

TEMP RANGE  
-22°C  
-18°C



## Prodis

### Freezer | Single Door | Stainless Steel

- 7 fixed shelves
- Food safe plastic interior
- -22°C to -15°C temp. range
- Lockable, reversible door

Code	Capacity	H x W x D (mm)	Price
HC410FSS	341 Litre	1863 x 600 x 625	£614.99
HC610FSS	620 Litre	1863 x 775 x 760	£779.99

NEW

FROM  
£614.99

2 YEARS WARRANTY

TEMP RANGE  
-22°C  
-15°C



## Prodis

### Freezer | Low Energy | Stainless Steel

- 522 litre capacity
- 3 adjustable shelves
- 15 integrated GN 2/1 supports
- Consumption: 6.567 kWh/24h
- Lockable, reversible door

Code	H x W x D (mm)	Price
GRN-1F-LE	2010 x 740 x 830	£999.99

NEW

ONLY  
£999.99

2 YEARS WARRANTY

TEMP RANGE  
-22°C  
-18°C



## Prodis

### Freezer | Double Door | Stainless Steel

- 1325 litre capacity
- 6x 1/2 GN shelves & runners
- 60mm insulation - energy efficient
- -22°C to -18°C temp. range
- Lockable self-closing door

Code	H x W x D (mm)	Price
GRN-2F	2010 x 1480 x 830	£1319.99

NEW

ONLY  
£1319.99

2 YEARS WARRANTY

TEMP RANGE  
-22°C  
-18°C



## POLAR C-Series Freezer | Single Door | White

- 6 fixed shelves
- 60mm insulation
- Ambient temperature: 32°C
- Lockable, reversible door

Code	Capacity	H x W x D (mm)	Price
SPCD613	365 Litre	1850 x 600 x 600	£599.99
SPCD615	600 Litre	1890 x 780 x 695	£691.99

FROM  
£599.99

2 YEARS WARRANTY

TEMP RANGE  
-25°C  
-10°C



## POLAR C-Series Freezer | Single Door | Stainless Steel

- 6 fixed shelves
- 60mm insulation
- Ambient temperature: 32°C
- Lockable, reversible door

Code	Capacity	H x W x D (mm)	Price
SPCD083	365 Litre	1850 x 600 x 600	£607.99
SPCD085	600 Litre	1890 x 780 x 695	£774.99

FROM  
£607.99

2 YEARS WARRANTY

TEMP RANGE  
-25°C  
-10°C



## Prodis

### Storage Freezer | Single Door | White

- 7 fixed shelves
- Food safe plastic interior
- -22°C to -15°C temp. range
- Lockable, reversible door

Code	Capacity	H x W x D (mm)	Price
HC410F	341 Litre	1863 x 600 x 625	£569.99
HC610F	620 Litre	1863 x 775 x 760	£739.99

NEW

FROM  
£569.99

2 YEARS WARRANTY

TEMP RANGE  
-22°C  
-15°C



## POLAR G-Series | Slimline Freezer | 440 - 960 Litre

- Automatic defrost
- 3 shelves per door
- Lockable, self-closing door
- GN 2/3 compatible
- Aluminium interior
- Ambient temperature: 32°C

Code	Door	Capacity	H x W x D (mm)	Price
SPG591	Single	440 Litre	1950 x 685 x 710	£1107.99
SPGD880	Double	960 Litre	2010 x 1340 x 710	£1309.99

FROM  
£1107.99

2 YEARS WARRANTY

TEMP RANGE  
-20°C  
-10°C



## POLAR G-Series | Stable Door Freezer | 600 - 1200 Litre

- 3 2/1 GN shelves per door
- Lockable, self-closing door
- Aluminium interior
- Ambient temperature: 32°C

Code	Door	Capacity	H x W x D (mm)	Price
SPCW194	Single	600 Litre	2010 x 680 x 800	£1061.99
SPCW196	Double	1200 Litre	2010 x 1340 x 800	£1634.99

FROM  
£1061.99

2 YEARS WARRANTY

TEMP RANGE  
-20°C  
-10°C





# COUNTER FREEZERS

**POLAR**

## U-Series | Counter Freezer | 282 - 417 Litre

- 1/1 GN compatible
- Solid, self-closing doors
- 1 shelf per door
- Automatic defrost
- Stainless steel construction
- Ambient temperature: 32°C



Code	Door	Capacity	Upstand	H x W x D (mm)	Price
SPG599	2 Door	282 Litre	Without	860 x 1360 x 700	£1168.99
SPDL916	2 Door	282 Litre	With	960 x 1360 x 700	£1249.99
SPG600	3 Door	417 Litre	Without	860 x 1795 x 700	£1335.99
SPDL917	3 Door	417 Litre	With	960 x 1795 x 700	£1415.99



**FROM**  
£1168.99



**POLAR**

## U-Series | Premium Counter Freezer | 420 Litre

- 1/1 GN compatible
- 75mm insulation
- Lockable doors
- Stainless steel construction
- E-shape shelf supporter
- Ambient temperature: 43°C



Code	Door	Capacity	H x W x D (mm)	Price
SPUA008	3 Door	420 Litre	850 x 1885 x 660	£1619.99

**ONLY**  
£1619.99

**Prodis NEW**

## Stainless Steel Counter Freezer

- 283/416L capacity
- 1x shelf & runner per door
- 1/1 GN compatible
- 60mm insulation



Code	Upstand	H x W x D (mm)	Price
GRN-C2F	Without	850 x 1360 x 700	£939.99
GRN-W2F	With	950 x 1360 x 700	£944.99
GRN-C3F	Without	850 x 1795 x 700	£1084.99
GRN-W3F	With	950 x 1795 x 700	£1109.99



## Williams Aztra | Counter Freezer

- 1/1 GN compatible
- Self-closing doors
- 2x shelves per door
- Rear castors, front adjustable feet
- Front vented
- Ambient temperature: 43°C

Code	Door	Capacity	H x W x D (mm)	Price
LAZ5CT	1 Door	109 Litre	870 x 455 x 734	£1708.29
LAZ10CT	2 Door	234 Litre	870 x 885 x 734	£2514.99

**FROM**  
£1708.29



## Williams Jade | Counter Freezer

- 1/1 GN compatible
- 2x shelves per door
- CoolSmart controlled
- Self-closing, lockable doors
- Removable racking & shelving
- Ambient temperature: 43°C

Code	Door	Capacity	H x W x D (mm)	Price
LJC2-SA	2 Door	374 Litre	857 x 1400 x 700	£2552.49
LJC3-SA	3 Door	545 Litre	857 x 1880 x 700	£2793.48

**FROM**  
£2552.49

**POLAR**

## G-Series | Counter Freezer Single Door

- 1/1 GN compatible
- 88 litre capacity
- 2 adjustable shelves
- 55mm insulation
- Ambient temperature: 30°C
- Solid self-closing door



Code	H x W x D (mm)	Price
SPFA443	870 x 478 x 700	£669.99

**ONLY**  
£669.99



# UNDERCOUNTER FREEZERS



**POLAR**

## C-Series | Undercounter Freezer | 140 Litre

- 2 shelves
- 40mm insulation
- Lockable doors
- Fixed rear castors
- -25°C to -10°C temp. range
- Ambient temperature: 32°C

Code	H x W x D (mm)	Price
SPCD611	850 x 600 x 600	£369.99
SPCD081	850 x 600 x 600	£379.99

**FROM**  
£369.99

**Prodis**

## Undercounter Freezer | 139 Litre

- 1 static shelf + base
- 1 adjustable shelf
- Food safe plastic interior
- Lockable, reversible door
- -22°C to -15°C temp. range
- External digital temp. control

Code	H x W x D (mm)	Price
HC210F	853 x 600 x 625	£369.99
HC210FSS	853 x 600 x 625	£399.99

**NEW**  
**FROM**  
£369.99



**williams**

## Aztra | Counter Freezer

- 1/1 GN compatible
- Self-closing doors
- 2x shelves per door
- Rear castors, front adjustable feet
- Front vented
- Ambient temperature: 43°C

Code	Door	Capacity	H x W x D (mm)	Price
LAZ5CT	1 Door	109 Litre	870 x 455 x 734	£1708.29
LAZ10CT	2 Door	234 Litre	870 x 885 x 734	£2514.99

**FROM**  
£1708.29

**williams**

## Jade | Counter Freezer

- 1/1 GN compatible
- 2x shelves per door
- CoolSmart controlled
- Self-closing, lockable doors
- Removable racking & shelving
- Ambient temperature: 43°C

Code	Door	Capacity	H x W x D (mm)	Price
LJC2-SA	2 Door	374 Litre	857 x 1400 x 700	£2552.49
LJC3-SA	3 Door	545 Litre	857 x 1880 x 700	£2793.48

**FROM**  
£2552.49



**TEFCOLD**

## Undercounter Freezer | 141 Litre

- 141 litre capacity
- 2 fixed shelves
- Ambient temperature: 30°C
- Replaceable door gasket
- Static cooling
- -24°C to -10°C temp. range
- Reversible, lockable door
- Adjustable feet, rear casters

Code	H x W x D (mm)	Price
UF200	850 x 600 x 600	£325.99
UF200S	855 x 600 x 585	£410.99

**BEST SELLER**  
**FROM**  
£325.99



**POLAR**

## U-Series | Undercounter Freezer

- 140 litre capacity
- 1/1 GN compatible
- 2 sturdy adjustable shelves
- Automatic defrost
- 60mm insulation
- Ambient temperature: 40°C
- Premium 304 stainless steel construction

Code	H x W x D (mm)	Price
SPUA011	829 x 680 x 700	£802.99



**williams**

## Aztra | Undercounter Freezer

- 131 litre capacity
- 2 fixed shelves
- Ambient temperature: 43°C

Code	H x W x D (mm)	Price
LAZ5UC	830 x 660 x 609	£1708.29





# CHEST FREEZERS



**POLAR**  
G-Series  
Chest Freezer  
385-587 Litre

- 90mm insulation
- Always-on LED display
- Sturdy castors
- Front-mounted drain
- -22°C to -15°C temp. range
- Optimum temperature for food storage: -18°C

Code	Capacity	H x W x D (mm)	Price
SPGH337	385 Litre	969 x 1435 x 782	£737.99
SPGH339	587 Litre	969 x 2035 x 782	£865.99



**POLAR**  
G-Series  
Display Chest Freezer  
200-270 Litre

- 75mm insulation
- 3 sturdy baskets
- Castors fit as standard
- -24°C to -18°C temp. range
- Front-mounted drain
- Ambient temperature: 32°C

Code	Capacity	H x W x D (mm)	Price
SPGM498	200 Litre	920 x 953 x 553	£432.99
SPGM499	270 Litre	928 x 1195 x 654	£549.99



**Prodir**  
Chest Freezer | 350-650 Litre

- Includes 3-4 baskets
- Aluminium interior
- Adjustable thermostat
- Counter balanced lid
- Lockable lid
- LCD display

Code	Capacity	H x W x D (mm)	Price
AR350SS	350 Litre	850 x 1030 x 750	£389.99
AR450SS	450 Litre	850 x 1270 x 750	£449.99
AR550SS	550 Litre	850 x 1530 x 750	£535.99
AR650SS	650 Litre	850 x 1800 x 750	£719.99



**Prodir**  
Display Chest Freezer | 168-534 Litre

- Includes 2-8 baskets
- Sliding flat glass lids
- External thermometer
- Aluminium door frame

Code	Capacity	H x W x D (mm)	Price
NV1	168 Litre	890 x 725 x 635	£399.99
NV2	261 Litre	890 x 1015 x 635	£459.99
NV3	355 Litre	890 x 1305 x 635	£534.99
NV4	436 Litre	890 x 1555 x 635	£624.99
NV5	534 Litre	890 x 2050 x 635	£739.99



**GRAUPEL**  
Solid Top Chest Freezer

- 10kg/24h freezing capacity
- Suitable for outbuildings
- Supplied with 1x ice scoop & 1x wire basket
- Operates in temperatures down to: -15°C

Code	Capacity	H x W x D (mm)	Price
GRCHF200	198 Litre	845 x 905 x 545	£239.99



**TEFCOLD**  
Sliding Glass Lid Chest Freezer

- 91-430 litre capacity
- 1 divider per basket
- Flat sliding, lockable lids
- Defrost drain
- Fan assisted condenser
- Lockable castors
- Digital temperature display
- Ideal for displaying and retailing ice cream & lollies
- -24°C to -14°C temp. range

Code	Capacity	H x W x D (mm)	Price
IC100SC	91 Litre	897 x 570 x 570	£439.99
IC200SC	165 Litre	892 x 720 x 630	£489.99
IC300SC	255 Litre	892 x 1010 x 630	£577.49
IC400SC	350 Litre	892 x 1300 x 630	£619.99
IC500SC	430 Litre	892 x 1550 x 630	£699.99



**TEFCOLD**  
Curved Glass Lid Chest Freezer

- 85-430 litre capacity
- 1 divider per basket
- Curved sliding, lockable lids
- Defrost drain
- Fan assisted condenser
- Lockable castors
- Digital temperature display
- Ideal for displaying and retailing ice cream & lollies
- -24°C to -14°C temp. range

Code	Capacity	H x W x D (mm)	Price
IC100SCEB	85 Litre	885 x 570 x 570	£437.49
IC200SCEB	157 Litre	949 x 720 x 615	£514.99
IC300SCEB	230 Litre	949 x 1010 x 615	£599.99
IC400SCEB	325 Litre	949 x 1300 x 615	£674.99
IC500SCEB	430 Litre	949 x 1550 x 615	£774.99

# WALK IN FRIDGES & FREEZERS

NEW



## U-Series | Walk In Cold/Freezer Room

A fantastic quality professional walk in, the Polar U-Series cold room in White boasts a generous internal storage capacity alongside performance, security and efficiency. Great chilling performance is offered by the high quality refrigeration components - keeping the inside at precise temperatures even when ambient temperatures reach as high as 43°C.

- Material: galvanised steel/ aluminium & plastic
- Power: 13A plug (fridge) hard wired one phase (freezer)
- Refrigerant: R449A / 1500g
- Temperature range: 2°C to 5°C (fridge)
- Temperature range: -15°C to 18°C (freezer)
- Operates effectively at high ambient temperatures up to: 43°C
- Wall panels constructed from 0.6mm thick galvanised steel
- Finished with 200 microns of food safe white plastic
- Lockable self closing door for security



Fridge Code	Size	H x W x D (mm)	Price
SPDS480-CWH	1.2 x 1.5m	2200 x 1200 x 1500mm	£5122.99
SPDS481-CWH	1.5 x 1.2m	2200 x 1500 x 1200mm	£5122.99
SPDS482-CWH	1.5 x 1.8m	2200 x 1500 x 1800mm	£5644.99
SPDS483-CWH	1.5 x 2.1m	2200 x 1500 x 2100mm	£6031.99
SPDS484-CWH	1.8 x 1.5m	2200 x 1800 x 1500mm	£5653.99
SPDS485-CWH	1.8 x 1.8m	2200 x 1800 x 1800mm	£5949.99
SPDS486-CWH	1.8 x 2.1m	2200 x 1800 x 2100mm	£6138.99
SPDS487-CWH	2.1 x 1.5m	2200 x 2100 x 1500mm	£6031.99
SPDS488-CWH	2.1 x 1.8m	2200 x 2100 x 1800mm	£6138.99
SPDS489-CWH	2.1 x 2.1m	2200 x 2100 x 2100mm	£6425.99

Freezer Code	Size	H x W x D (mm)	Price
SPDS480-FWH	1.2 x 1.5m	2200 x 1200 x 1500mm	£5618.99
SPDS481-FWH	1.5 x 1.2m	2200 x 1500 x 1200mm	£5618.99
SPDS482-FWH	1.5 x 1.8m	2200 x 1500 x 1800mm	£6138.99
SPDS483-FWH	1.5 x 2.1m	2200 x 1500 x 2100mm	£6219.99
SPDS484-FWH	1.8 x 1.5m	2200 x 1800 x 1500mm	£6138.99
SPDS485-FWH	1.8 x 1.8m	2200 x 1800 x 1800mm	£6527.99
SPDS486-FWH	1.8 x 2.1m	2200 x 1800 x 2100mm	£6623.99
SPDS487-FWH	2.1 x 1.5m	2200 x 2100 x 1500mm	£6219.99
SPDS488-FWH	2.1 x 1.8m	2200 x 2100 x 1800mm	£6623.99
SPDS489-FWH	2.1 x 2.1m	2200 x 2100 x 2100mm	£6946.99



FROM  
£5122.99

### Weatherproof Roof

For outdoor installations you will need our weatherproof roof. Long-lasting and hard-wearing, it's resistant to tearing and all of the outdoor elements. Multiple size options are available for all cold/freezer room sizes.

For prices & availability, visit us online at:  
[www.buzzcateringsupplies.com](http://www.buzzcateringsupplies.com)



FROM  
£377.99



CALL US  
01279 876500



EMAIL US  
sales@buzzsupplies.co.uk



ORDER ONLINE  
BUZZCATERINGSUPPLIES.COM



FREE DELIVERY  
ON ORDERS OVER £50



# BOTTLE COOLERS



**Prodis**

## Bottle Cooler | 126-300 Litre

- Aluminium interior
- Lockable doors
- 2 adjustable shelves per door
- Energy efficient LED lighting



**BEST SELLER**

FROM  
**£329.99**

Code	Door	Capacity	H x W x D (mm)	Price	
NT1BH-HC	Single Hinged	126 Litre	900 x 600 x 520	£329.99	E
NT2BS-HC	Double Sliding	220 Litre	900 x 900 x 520	£409.99	E
NT2BH-HC	Double Hinged	220 Litre	900 x 900 x 520	£409.99	E
NT3BS-HC	Triple Sliding	300 Litre	900 x 1350 x 520	£539.99	E
NT3BH-HC	Triple Hinged	300 Litre	900 x 1350 x 520	£539.99	E

**Prodis**

## Bottle Cooler | Stainless Steel

- 2 shelves per door
- Self closing hinged doors
- Fully adjustable chrome shelves
- Energy efficient LED lighting
- Lockable doors
- Mirror finish stainless steel interior



Code	Door	H x W x D (mm)	Price	
NT1ST-HC	1 - 126 Litre	900 x 600 x 520	£388.99	E
NT2ST-HC	2 - 220 Litre	900 x 900 x 520	£474.99	E
NT3ST-HC	3 - 300 Litre	900 x 1350 x 520	£591.99	E

FROM  
**£388.99**

**POLAR**

## G-Series | Wine Fridge Stainless Steel | 125 Litre

- Stainless steel construction
- 5 wooden shelves
- 51 bottle capacity
- 40mm insulation
- Automatic defrost
- Energy-saving LED lighting
- Lockable for added security
- Ambient temperature: 38°C



Code	Capacity	H x W x D (mm)	Price	
SPGG762	125 Litre	815 x 595 x 585	£529.99	G

ONLY  
**£529.99**

**POLAR**

## G-Series | Dual Zone Wine Fridge

- Stainless steel, glass & plastic construction
- 13-15 wooden shelves
- 40mm insulation
- Heat function in lower compartments
- Lockable for added security



Code	Capacity	H x W x D (mm)	Price	
SPGG763	126 Bottle	1580 x 600 x 630	£821.99	G
SPGG764	180 Bottle	1830 x 600 x 675	£972.99	G

FROM  
**£821.99**



**Prodis**

## Upright Bottle Cooler

- 5 adjustable shelves per door
- Self closing hinged doors
- Energy efficient LED lighting
- Lockable doors
- Mirror finish stainless steel interior



Code	Door	H x W x D (mm)	Price	
NT10-HC	1 - 340 Litre	1800 x 600 x 515	£579.99	E
NT20-HC	2 - 560 Litre	1800 x 900 x 515	£834.99	E

FROM  
**£579.99**

**Prodis**

## Upright Bottle Cooler

- 5 adjustable shelves per door
- Self closing hinged doors
- Full stainless steel construction
- Lockable doors
- Mirror finish stainless steel interior



Code	Door	H x W x D (mm)	Price	
NT10ST-HC	1 - 340 Litre	1800 x 600 x 515	£724.99	E
NT20ST-HC	2 - 560 Litre	1800 x 900 x 515	£929.99	E

FROM  
**£724.99**

**POLAR**

## C-Series Undercounter Wine Fridge

- Stainless steel construction
- Removable shelves
- Adjustable temperature control
- Specialised wine shelves stop bottle movement to prevent damage



Code	Capacity	H x W x D (mm)	Price	
SPCC066	28 Bottle	840 x 430 x 450	£152.99	G
SPCC067	51 Bottle	848 x 495 x 565	£246.99	G

FROM  
**£152.99**

# DISPLAY FRIDGES



**POLAR**

## G-Series Upright Display Fridge | 218-368 Litre

- 4 sturdy shelves
- Secure lockable door
- +2°C to +8°C temp. range
- Ambient temperature: 32°C



Code	Capacity	H x W x D (mm)	Price	
SPDM075	218 Litre	1692 x 530 x 575	£419.99	B
SPGH426	218 Litre	1692 x 530 x 575	£494.99	B
SPDM076	368 Litre	1982 x 620 x 570	£619.99	C
SPGH427	368 Litre	1982 x 620 x 570	£614.99	C

FROM  
**£419.99**

**POLAR**

## G-Series Upright Display Fridge | 950 Litre

- 5 shelves per door
- LED lit interior
- +2°C to +10°C temp. range
- Optimum food storage temp: 6°C



Code	Door	Capacity	H x W x D (mm)	Price	
SPGM814	2 Sliding	950 Litre	2036 x 1200 x 730	£999.99	C
SPGM813	2 Hinged	950 Litre	2036 x 1200 x 730	£999.99	B
SPGE581	2 Sliding	950 Litre	2036 x 1200 x 730	£1012.99	C

FROM  
**£999.99**

**Prodis**

## Upright Display Fridge 372 Litre

- 5 adjustable shelves
- Double glazed door
- Adjustable thermostat
- +2°C to +8°C temp. range
- Fan assisted cooling
- Internal illumination



Code	H x W x D (mm)	Price
XD380	1865 x 595 x 650	£449.99

ONLY  
**£449.99**



**POLAR**

## G-Series Upright Display Fridge | Triple Door

- 15 adjustable shelves
- Self closing doors
- Lockable for added security
- Canopy LED lighting
- Heavy duty castors



Code	Capacity	H x W x D (mm)	Price	
SPGE769	1300 Litre	2036 x 1560 x 730	£1558.99	D

ONLY  
**£1558.99**

**POLAR**

## C-Series | Upright Display Fridge

- 400-600 litre: 3-4 adjustable shelves
- Optimum temperature for food storage: 4°C
- Ambient temperature: 32°C



Code	Capacity	H x W x D (mm)	Price	
SPCD087	400 Litre	1850 x 600 x 600	£666.99	B
SPCD088	600 Litre	1895 x 777 x 735	£807.99	B

FROM  
**£666.99**

**POLAR**

## G-Series Gastro Display Fridge | 1200 Litre

- 6 adjustable shelves + 2 floor protectors
- Aluminium interior
- Lockable double-glazed doors
- Ambient temperature: 32°C



Code	H x W x D (mm)	Price
SPCW198	2010 x 1340 x 800	£1389.99

ONLY  
**£1389.99**





# COUNTERTOP DISPLAY FRIDGES



**GRAUPEL Countertop Display Cooler**

- 100-160 litre
- 2 adjustable shelves
- Ideal for delis, cafes & bakeries
- Glass fog prevention

Code	Style	Capacity	H x W x D (mm)	Price
GIMT100L	Curved	100 Litre	675 x 682 x 450	£374.99
GIMT120L	Curved	120 Litre	686 x 710 x 568	£474.99
GIMT160L	Curved	160 Litre	686 x 888 x 568	£524.99
GIMT120Z	Slanted	120 Litre	686 x 710 x 568	£499.99
GIMT160Z	Slanted	160 Litre	686 x 888 x 568	£599.99
GIMT120F	Flat	120 Litre	686 x 710 x 568	£524.99
GIMT160F	Flat	160 Litre	686 x 888 x 568	£574.99

TEMP: +2C to +10C RANGE | YEARS 1 WARRANTY



**POLAR Chilled Display Cabinet | 68 Litre**

- 3 adjustable shelves
- Illuminated interior
- Ambient temperature: 32°C

Code	H x W x D (mm)	Price
SPG619	885 x 428 x 386	£284.99
SPG211	885 x 428 x 386	£298.99

TEMP: +2C to +12C RANGE | YEARS 2 WARRANTY



**POLAR Countertop Display Fridge | 46 Litre**

- Single adjustable half shelf
- 30mm insulation
- Double glazed lockable, reversible door
- +4°C to +18°C temp. range
- Ambient temperature: 32°C

Code	H x W x D (mm)	Price
SPDM071	510 x 430 x 480	£127.99

TEMP: +4C to +18C RANGE | YEARS 2 WARRANTY



**POLAR G-Series | Counter Display Freezer**

- 90 litre capacity
- Triple glazed lockable door
- Energy efficient LED lit interior
- Painted steel & glass construction
- Optimum temperature for food: -15°C

Code	H x W x D (mm)	Price
SPGC889	705 x 620 x 575	£557.99

TEMP: -22C to -13C RANGE | YEARS 2 WARRANTY

# PATISSERIE DISPLAYS



**GRAUPEL Cake Counter Display Fridge**

- Double tempered glass
- Sliding glass doors
- Automatic defrost
- Ventilated cooling system
- 3 internal LED lights
- Separated power button

FROM £854.99

TEMP: +2C to +8C RANGE | YEARS 1 WARRANTY

Code	Capacity	H x W x D (mm)	Price
GRCF900	340 Litre	1250 x 915 x 675	£854.99
GRCF1200	460 Litre	1235 x 1200 x 730	£1079.99
GRCF1500	580 Litre	1235 x 1500 x 730	£1199.99
GRCF1800	630 Litre	1235 x 1800 x 730	£1329.99

**POLAR G-Series Patisserie Display Fridge**

- 400 litre capacity
- Dimensions: 1800(h) x 706(w) x 706(d)mm
- 4 adjustable shelves
- 10mm insulation
- Ambient temperature: 32°C

TEMP: +2C to +10C RANGE | YEARS 2 WARRANTY

Code	Price
SPGD881	£1224.99



**POLAR C-Series | Display Fridge**

- 86 litre capacity
- 3 adjustable shelves
- Ambient temperature: 32°C
- +2°C to +12°C temp. range

Code	H x W x D (mm)	Price
SPCB507	980 x 429 x 425	£298.99

TEMP: +2C to +12C RANGE | YEARS 2 WARRANTY



**POLAR C-Series | Chilled Display**

- 235 litre capacity
- 4 adjustable shelves
- Ambient temperature: 32°C
- +2°C to +12°C temp. range

Code	H x W x D (mm)	Price
SPDP289	1690 x 515 x 485	£577.49
SPCB509	1690 x 515 x 485	£670.99

TEMP: +2C to +12C RANGE | YEARS 2 WARRANTY



**POLAR U-Series | Deli Display Fridge**

- 285-485 litre capacity
- Triple glazed safety glass, anti-fog
- Optimum temp. for food: 4°C

Code	Capacity	H x W x D (mm)	Price
SPDB950	285 Litre	1200 x 900 x 680	£1759.99
SPDB951	385 Litre	1200 x 1200 x 680	£2039.99
SPDB952	485 Litre	1200 x 1500 x 680	£2247.99

TEMP: +2C to +8C RANGE | YEARS 2 WARRANTY



**POLAR C-Series | Countertop Display Fridge**

- 100 litre capacity
- 2 adjustable shelves
- Rear sliding doors
- Ambient temperature: 32°C

FROM £434.99

Code	H x W x D (mm)	Price
SPCC611	675 x 682 x 450	£434.99
SPCC666	675 x 682 x 450	£474.99

TEMP: +2C to +12C RANGE | YEARS 2 WARRANTY



**POLAR G-Series | Countertop Display Chiller**

- 2 adjustable shelves
- 10mm insulation
- Optimum temperature for food: 6°C
- Ambient temperature: 32°C

BEST SELLER

FROM £494.99

Code	Capacity	H x W x D (mm)	Price
SPCD229	120 Litre	686 x 696 x 568	£494.99
SPCD230	160 Litre	686 x 886 x 568	£592.99

TEMP: +2C to +12C RANGE | YEARS 2 WARRANTY

# MULTIDECK DISPLAYS

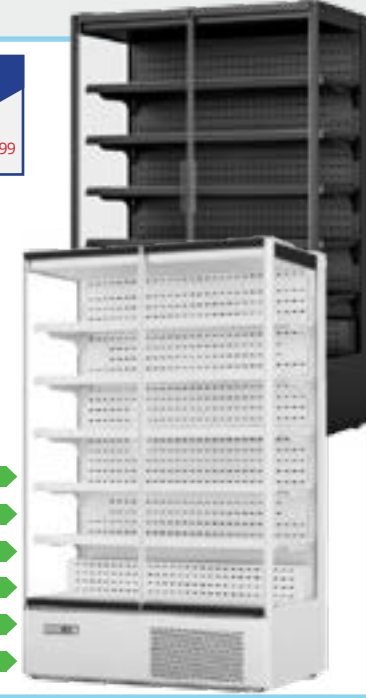
**Prodis Glass Door Multideck Display Fridge**

- 5 levels of 450mm deep adjustable shelving
- Double glazed Low E frameless glass self closing doors
- Ideal for packaged meat, dairy, fruit & vegetables and drinks
- Cabinets can be multiplexed (kit included) together
- ISO-23953 tested, ensures constant cabinet temperature
- Low fronted design increases the available display area

FROM £2559.99

TEMP: -1C to +5C RANGE | YEARS 2 WARRANTY

Code	Size	H x W x D (mm)	Price
XMD1250-P-FGD-W	1250mm	2010 x 1310 x 740	£2559.99
XMD1250-P-FGD-K	1250mm	2010 x 1310 x 740	£2559.99
XMD1875-P-FGD-W	1875mm	2010 x 1935 x 740	£3699.99
XMD1875-P-FGD-K	1875mm	2010 x 1935 x 740	£3699.99
XMD2500-P-FGD-W	2500mm	2010 x 2560 x 740	£4499.99
XMD2500-P-FGD-K	2500mm	2010 x 2560 x 740	£4499.99



**POLAR U-Series Multideck Display Fridge**

- 549-914 litre capacity
- 20mm insulation
- Insulated & lockable shutter
- Forced air cooling
- LED lighting
- Ambient temperature: 36°C


FROM £3639.99

TEMP: +2C to +5C RANGE | YEARS 2 WARRANTY

Code	Capacity	H x W x D (mm)	Price
SPDY395	549 Litre	1950 x 950 x 670	£3639.99
SPDY396	731 Litre	1950 x 1250 x 670	£3944.99
SPDY397	914 Litre	1950 x 1550 x 670	£4249.99



# SERVE OVER COUNTERS



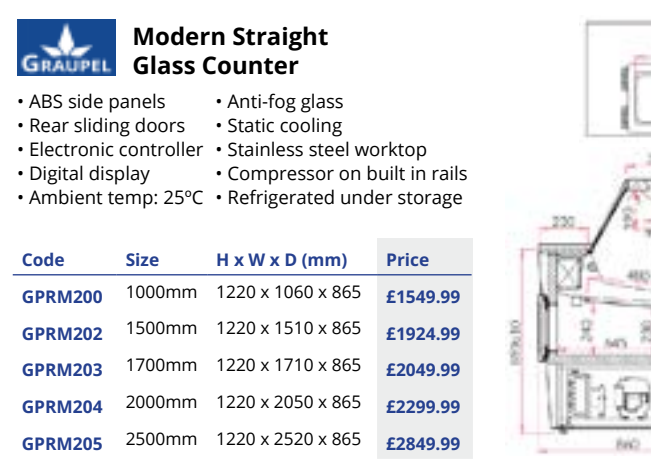
**GRAUPEL Rota Slimline Curved Glass Counter**

- ABS side panels
- Rear sliding doors
- Electronic controller
- Digital display
- Ambient temp: 25°C
- Anti-fog glass
- Static cooling
- Stainless steel worktop
- Compressor on built in rails
- Refrigerated under storage

Code	Size	H x W x D (mm)	Price
GPR100	1000mm	1220 x 1070 x 830	£1499.99
GPR130	1300mm	1220 x 1310 x 830	£1649.99
GPR150	1500mm	1220 x 1510 x 830	£1849.99
GPR170	1700mm	1220 x 1710 x 830	£1987.49
GPR200	2000mm	1220 x 2050 x 830	£2212.49
GPR250	2500mm	1220 x 2510 x 830	£2862.49

FROM **£1499.99**

TEMP +10C RANGE  
YEARS 1 WARRANTY



**GRAUPEL Modern Straight Glass Counter**

- ABS side panels
- Rear sliding doors
- Electronic controller
- Digital display
- Ambient temp: 25°C
- Anti-fog glass
- Static cooling
- Stainless steel worktop
- Compressor on built in rails
- Refrigerated under storage

Code	Size	H x W x D (mm)	Price
GPRM200	1000mm	1220 x 1060 x 865	£1549.99
GPRM202	1500mm	1220 x 1510 x 865	£1924.99
GPRM203	1700mm	1220 x 1710 x 865	£2049.99
GPRM204	2000mm	1220 x 2050 x 865	£2299.99
GPRM205	2500mm	1220 x 2520 x 865	£2849.99

FROM **£1549.99**

TEMP +10C RANGE  
YEARS 1 WARRANTY

# MEAT FRIDGES



**williams Jade | Upright Meat Fridge | 620 - 1295 Litre**

- 2/1 GN compatible
- 3 2/1 GN shelves per door
- 80mm polyurethane insulation
- Ambient temperature: 43°C

Code	Door	Capacity	H x W x D (mm)	Price
MJ1-SA	Single	620 Litre	1960 x 727 x 824	£1814.99
MJ2-SA	Double	1295 Litre	1960 x 1400 x 824	£2620.79

FROM **£1814.99**

TEMP -2C TO +2C RANGE  
YEARS 2 WARRANTY



**williams Upright Meat Ageing Cabinet**


- 4x 2/1 GN perforated stainless steel shelves
- Himalayan salt blocks to assist with moisture management
- 80mm polyurethane insulation with zero ODP and low GWP
- Optional robust meat hanging rails & removable waste catch pans

Code	Capacity	H x W x D (mm)	Price
MAR1	620 Litre	1960 x 727 x 824	£3874.99

ONLY **£3874.99**

TEMP +10C TO +12C RANGE  
YEARS 2 WARRANTY

# MEAT COUNTERS



**GRAUPEL Rota Slimline Curved Glass Meat Counter**

- ABS side panels
- Rear sliding doors
- Electronic controller
- Digital display
- Ambient temp: 25°C
- Anti-fog glass
- Static cooling
- Stainless steel worktop
- Compressor on built in rails
- Refrigerated under storage

Code	Size	H x W x D (mm)	Price
GPR100M	1000mm	1220 x 1070 x 830	£1699.99
GPR130M	1300mm	1220 x 1310 x 830	£1899.99
GPR150M	1500mm	1220 x 1510 x 830	£2149.99
GPR170M	1700mm	1220 x 1710 x 830	£2324.99
GPR200M	2000mm	1220 x 2050 x 830	£2599.99
GPR250M	2500mm	1220 x 2510 x 830	£3299.99

ONLY **£951.99**

TEMP -2C TO +4C RANGE  
YEARS 2 WARRANTY

# FISH FRIDGES




**Prodis Fish Fridge | Single Door | 537 Litre**

- 60mm insulation
- Supplied with 7 x fish trays (400 x 600mm)
- Lockable door

Code	H x W x D (mm)	Price
GRN-1FISH	2010 x 680 x 845	£951.99

NEW

TEMP -5C TO 0C RANGE  
YEARS 2 WARRANTY



**POLAR U-Series | Undercounter Fish Fridge | 140 Litre**

Offers reliable storage and ensures fish is kept at the perfect temperature, whilst being kept completely separate from your other ingredients.

- 3 sturdy plastic fish trays
- 60mm insulation
- Effective electric defrost
- Strong solid door
- -4°C to +4°C temp. range
- Removable magnetic gasket
- 304 stainless steel construction

Code	Capacity	H x W x D (mm)	Price
SPUA013	140 Litre	850 x 680 x 700	£804.99

ONLY **£852.99**

TEMP -4C TO +4C RANGE  
YEARS 2 WARRANTY



**williams Jade | Counter Meat Fridge | 2 Door**

- 374 litre capacity
- 2 shelves per door
- Full length, non-slip handles
- Self-closing doors
- Removable racking & shelving
- Ambient temperature: 43°C

Built to withstand the toughest working environments. Sleek, two door refrigerated counter that combines reliability, efficiency, performance and great value.

Code	Capacity	H x W x D (mm)	Price
MJC2-SA	374 Litre	857 x 1400 x 700	£2482.49

ONLY **£2482.49**

TEMP -2C TO +2C RANGE  
YEARS 2 WARRANTY



**POLAR G-Series | Countertop Serve Over Fish Fridge**

- Easy ice/water drainage system
- +2°C to +12°C temp. range
- Energy-saving LED lighting
- \*Fish fridge and stand are sold separately

Fridge Code	Capacity	H x W x D (mm)	Price
SPGE960	175 Litre	530 x 915 x 890	£849.99
SPGE961	255 Litre	530 x 1245 x 890	£989.99

Stand Code	Fridge	H x W x D (mm)	Price
SPGE978	SPGE960	560 x 670 x 750	£85.00
SPGE979	SPGE961	560 x 970 x 750	£115.00

NEW

TEMP +2C TO +12C RANGE  
YEARS 2 WARRANTY



# COUNTERTOP ICE MACHINES



**POLAR**  
G-Series | Countertop Ice Machine

- Output 20kg/24hr
- 4kg ice storage
- Supplied with scoop and installation kit
- Ambient temperature: 38°C

**ONLY £329.99**

**1 YEAR WARRANTY**

Code	Kg/24Hr	H x W x D (mm)	Price
SPT316	20kg	590 x 380 x 477	£329.99



**POLAR**  
C-Series | Countertop Ice Machine

- Output 15kg/24hr
- 2kg ice storage
- Supplied with food-safe ice scoop
- Produces 12 bullet-shaped cubes every 10 minutes

**ONLY £207.99**

**1 YEAR WARRANTY**

Code	Kg/24Hr	H x W x D (mm)	Price
SPG620	15kg	415 x 365 x 420	£207.99



**Prodis**  
Compact Ice Machine

- Output 22kg/24hr
- 6kg ice storage
- Dice shaped ice cubes
- Adjustable ice thickness

**ONLY £357.49**

**1 YEAR WARRANTY**

Code	Kg/24Hr	H x W x D (mm)	Price
CL20	22kg	600 x 380 x 470	£357.49

# MODULAR ICE MACHINES

**ALSTACO**  
Modular Ice Cube Maker | 140kg

- 140kg per 24-hour production (8,200 17g cubes)
- Large 180kg storage capacity
- Large 17g high density square ice cubes
- R352A refrigerant
- 304 stainless steel construction
- Ergonomic easy access storage bin
- Ideal for front-of-house or under bar

**3 YEARS WARRANTY**

Code	H x W x D (mm)	Price
CQ150STS200	1623 x 768 x 848	£2899.99

**Prodis**  
Modular Ice Machine

- For use in conjunction with any of the Prodis S Series storage silos
- Vertical evaporator production system
- Classic dice shaped ice cubes
- AISI304 stainless steel construction
- Ambient temperature: 43°C

**2 YEARS WARRANTY**

Code	Storage	H x W x D (mm)	Price
PROC220MS180	180kg	1724 x 762 x 872	£3454.98
PROC220MS230	230kg	1724 x 762 x 819	£3544.98
PROC220MS340	340kg	1724 x 1067 x 819	£3954.98
PROC220MS390	390kg	1724 x 1219 x 819	£3999.98

**FROM £3454.98**

# UNDERCOUNTER ICE MACHINES

**ALSTACO**  
Undercounter Ice Machine

- Output 50-90kg/24hr
- 36g full cube ice
- 30mm insulation
- Italian manufacturer
- Ergonomic easy access to storage bin
- Ambient temperature: 43°C

**BEST SELLER**

**3 YEARS WARRANTY**

Code	Kg/24Hr	H x W x D (mm)	Price
CS5025	50kg	795 x 500 x 585	£1079.99
CS6040	60kg	1080 x 810 x 670	£1374.99
CS8040	80kg	915 x 740 x 605	£1499.99
CS9060	90kg	1015 x 740 x 605	£1624.99

**Prodis**  
Undercounter Ice Machine

- Clear, slow melting, hard ice
- Standard shaped ice cube
- High drain exit height
- Patented flexible spray jets
- Dense polyurethane insulation
- Front venting

**2 YEARS WARRANTY**

Code	Kg/24Hr	H x W x D (mm)	Price
C25	22kg	590 x 350 x 475	£799.99
C35	33kg	800 x 435 x 605	£1014.99
C45	42kg	800 x 435 x 605	£1079.99
C60	54kg	945 x 515 x 645	£1274.99
C80	75kg	975 x 645 x 645	£1674.99
C135	135kg	1020 x 930 x 565	£1959.99

**FROM £799.99**

# SLUSH MACHINES

**POLAR**  
G-Series | Countertop Ice Machine

- Adjustable chilled drink mode
- LED lighting
- Digital controls
- Adjustable stirring speed
- High capacity BPA-free tank

**TEMP -10C +7C RANGE**

**2 YEARS WARRANTY**

Code	Capacity	H x W x D (mm)	Price
SPDB331	12 Litre	810 x 270 x 515	£982.99
SPDB332	2x 12 Litre	810 x 470 x 515	£1239.99
SPDB843	3x 12 Litre	810 x 670 x 515	£1599.99

**BLUE ICE**  
Commercial Slush Machine

- Premium fast freeze high output
- Four adjustable freezing levels
- Fast freezing down time
- Each tank operated independently
- Free starter pack - created up to 350 servings

**FROM £1371.99**

**1 YEAR WARRANTY**

Code	Capacity	H x W x D (mm)	Price
ST12X1	12 Litre	837 x 195 x 487	£1371.99
ST12X2	2x 12 Litre	897 x 380 x 468	£1939.99
ST12X3	3x 12 Litre	897 x 598 x 468	£2149.99

**NEW**

**GRAUPEL**  
Commercial Undercounter Ice Machine

- 15kg ice storage
- Gravity waste
- Cube size: 22x22x22mm
- Free water filter included

**1 YEAR WARRANTY**

Code	Kg/24Hr	H x W x D (mm)	Price
10-3615	36kg	765 x 500 x 572	£579.99

**POLAR**  
G-Series | Undercounter Ice Machine

- 10kg ice storage
- Ambient temperature: 38°C
- Automatic fill

**1 YEAR WARRANTY**

Code	Kg/24Hr	H x W x D (mm)	Price
SPGL192	50kg	831 x 498 x 604	£659.99

**Prodis**  
Dice Ice Machine

- Adjustable ice thickness
- Self cleaning cycle

**1 YEAR WARRANTY**

Code	Kg/24Hr	H x W x D (mm)	Price
CL60	62kg	910 x 610 x 656	£864.99
CL90	102kg	910 x 715 x 656	£1079.99

# ICE CREAM MACHINES

**GEMECO**  
Barrista Ice Cream Machine Soft Serve 4.5 Litre

- 4.5 litre hopper capacity
- Freezes mixture in as little as 1 hour
- Portion controlled gravity dispense - 70g (2.5oz)
- Automatic night mode to hold produce for up to 3 days
- Versatile for other foods such as sorbet & frozen yoghurt
- Free Luxury Dairy Ice Cream Mix (12 pack) included

**1 YEAR WARRANTY**

Code	Capacity	H x W x D (mm)	Price
BARIC4	4.5 Litre	712 x 276 x 471	£1399.99

**BUFFALO**  
Upright Ice Cream Maker 2 Litre

- Max Output 2Ltr/30min
- Non-stick removable bowl
- Stainless steel construction
- Fitted with built-in freezer
- Easy-to-use digital controls

**ONLY £255.73**

**1 YEAR WARRANTY**

Code	Capacity	H x W x D (mm)	Price
SPCM289	2 Litre	362 x 272 x 315	£255.73

**BLUE ICE**  
Soft Serve Ice Cream with Air Pump

- High output dual flavour plus Twist soft serve
- 3-4 min freeze down time
- 3 Spring back handle for self service
- Self clean and standby feature

**1 YEAR WARRANTY**

Code	L/HR	H x W x D (mm)	Price
T29A	300 Litre	955 x 552 x 652	£6681.99
T46A	550 Litre	935 x 552 x 772	£9669.99



VISIT US ONLINE



**FREE DELIVERY  
ORDERS OVER £50**

**PRICE PROMISE  
UK'S LOWEST PRICES**

**UK STOCKIST  
10,000+ LINES**

All prices exclude VAT. Images for illustrative purposes only. Full details available on request. Prices correct at time of printing but may change without notice. Full terms & conditions available online at [www.buzzcateringsupplies.com/terms](http://www.buzzcateringsupplies.com/terms).



**POLAR**  
**G-Series Energy Efficient Tapas Display Fridge**

Code: SPGP296 | H x W x D (mm): 292 x 1529 x 420 | Price: £649.99

TEMP RANGE: 0c to +12c  
YEARS WARRANTY: 2

**NEW ONLY**  
**£649.99**




**POLAR**  
**G-Series Ice Cream Freezer**

Code: SPGK068 | H x W x D (mm): 377 x 865 x 735 | Price: £719.99

TEMP RANGE: -24c to -15c  
YEARS WARRANTY: 2

**NEW ONLY**  
**£719.99**



**POLAR**  
**C-Series Display Fridge 86 Litre**

Code: SPCX574 | H x W x D (mm): 980 x 429 x 425 | Price: £393.99

TEMP RANGE: 0c to +12c  
YEARS WARRANTY: 2

**NEW ONLY**  
**£393.99**



**williams**  
**Aztra Undercounter Freezer**

Code: LAZ5UC | H x W x D (mm): 830 x 660 x 609 | Price: £1708.29

TEMP RANGE: -22c to -18c  
YEARS WARRANTY: 2

**ONLY**  
**£1708.29**



**POLAR**  
**U-Series Ice Machine**

Code: SPUA037 | H x W x D (mm): 590 x 380 x 477 | Price: £559.99

YEARS WARRANTY: 2

**NEW ONLY**  
**£559.99**



**POLAR**  
**G-Series Topping Fridge**

Code: SPGH261 | H x W x D (mm): 234 x 1400 x 395 | Price: £599.99

TEMP RANGE: +2c to +8c  
YEARS WARRANTY: 2

**NEW ONLY**  
**£599.99**



**POLAR**  
**U-Series Slush Machine 3x 12 Litre**

Code: SPUA046 | H x W x D (mm): 940 x 610 x 714 | Price: £1949.99

TEMP RANGE: -12c to -2c  
YEARS WARRANTY: 2

**NEW ONLY**  
**£1949.99**



**POLAR**  
**U-Series Chef Base Fridge Freezer**

Code: SPDA994 | H x W x D (mm): 605 x 905 x 700 | Price: £989.99

TEMP RANGE: -20c to +10c  
YEARS WARRANTY: 2

**ONLY**  
**£989.99**



**POLAR**  
**SPUA044**

Code: SPUA044 | H x W x D (mm): 940 x 610 x 280 | Price: £1169.99

TEMP RANGE: -12c to -2c  
YEARS WARRANTY: 2

**NEW ONLY**  
**£1169.99**



**CALL US**  
01279 876500



**EMAIL US**  
[sales@buzzsupplies.co.uk](mailto:sales@buzzsupplies.co.uk)

