

## Autofill Wall Mounted 7.5L



Product Code	069931
Model no.	AFU7WM
EAN Barcode	5011139069931
Product type	Autofill Boiler
Warranty Period	1 years parts and labour

### Technical Information

#### Product Info:

Filtered	no
Capacity (litres)	7.5
Packed Dimensions (WxDxH, mm)	410x340x575
Drip Tray Dimensions (WxDxH, mm)	N/A
Product Weight (kg)	8.3
Packed Weight (kg)	11
Colour	Bright Annealed Stainless Steel & Black
Body Construction / Material	430 Stainless Steel
Tank Construction / Material	304 grade Stainless Steel
Trim and drip tray plastic type	PC ABS
Tap Material type	Plastic
Dual Function Tap	Yes
Safety Standards test	EN60335
Nonslip Feet	NA
Boil Dry cut-out	Yes

#### Performance:

Heat up Time to 98°C (minutes)	29
Rapid Draw off—Litres	8.5
Rapid Draw off—Pints	15
Rapid Draw off—Cups	53
Output per Hr—Litres	31
Output per Hr—Pints	55
Output per Hr—Cups	206
Recovery Per min—Litres	0.5
Recovery Per min—Pints	0.88
Recovery Per min—Cups	3.3
Heat up time 70°C—98°C (minutes)	8
Cool down time 98°C—70°C (minutes)	305
Standard power consumption (kW/hr)	0.12

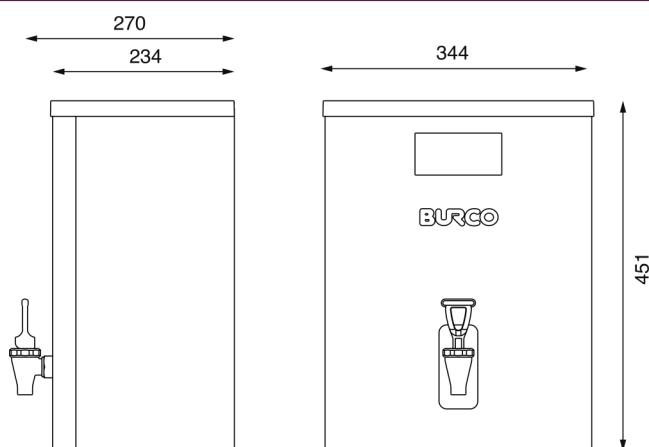
#### Installation:

Hard wiring required	Yes
UK fitted plug	No
Cable length (m)	NA
Water feed pipe length (m)	2
Max. water inlet pressure (bar)	8
Element power rating	2.8
Phase type	Single
Nominal voltage	230V 50-60Hz
Electrical supply current (A)	13
Water inlet connection fitting	3/4" BSP

### Water Boiler Features

- Compact and stylish, sits above a counter or sink.
- Simple to install and easy to use.
- Will dispense upto 206 cups per hour / 31 litres, with 8.5 litre rapid draw-off.
- Easy to access tank for cleaning and descaling.
- LED light for descale warning
- Affordable and cost effective.
- Easy clean stainless steel casing

### Dimensions (mm)



Glen Dimplex Heating & Ventilation, Millbrook House, Grange Drive, Hedge End, Southampton, SO30 2DF