



Electric Salamander Instruction Manual



Please read this instruction manual carefully before operating this equipment

General information

Information about the instruction manual

This instruction manual contains information about the installation, operation and maintenance of the device and should be consulted as an important source of information and reference guide. Awareness of the safety instructions and instructions for use in this manual will ensure the safe and correct use of the device.

In addition to the information given here, you should comply with any local Health and safety Controls and generally applicable safety regulations.

The instruction manual forms part of the product and should be kept near the device and easily accessible for anyone carrying out the installation, servicing, maintenance or cleaning.

Liability and Warrantees

All the information and instructions in this manual take into account standard safety regulations, current levels of technical engineering as well as the expertise and experience we have developed over the years.

The instruction manual was translated with all due care and attention. However, we do not accept liability for any translation errors. The German version of this instruction manual is definitive.

If the delivery consists of a special model, the actual scope of delivery may differ from the descriptions and illustrations in this manual. This is also the case for special orders or when the device has been modified in line with new technology.

NOTE! Read this manual carefully and thoroughly before any operation of the device, and especially before turning it on! Manufacturer is not liable for any damages or faults caused by:

- violation of advice concerning operation and cleaning;
- use other than designed; - alterations made by user;
- use of inadequate spare parts.

We reserve the right to make technical changes for purposes of developing and improving the useful properties.

Safety

This section provides an overview of all important safety aspects. In addition every chapter provides precise safety advice for the prevention of dangers which are highlighted by the use of the above mentioned symbols. Furthermore, attention should be paid to all pictograms, markers and labels on the device, which must be kept in a permanent state of legibility.

By following all the important safety advice you gain an optimal protection against all hazards as well as the assurance of a safe and trouble-free operation.

WARNING!

Any refitting, incorrect installation, adjustment and maintenance may cause property damage or personal injury. Please contact the supplier if user needs to adjust maintain it, all these should be done by trained special professionals.

WARNING!

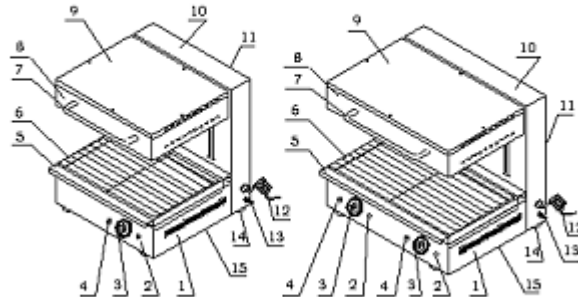
For your safety sake, do not put or store any flammable liquid, gas or other objects around the product.

WARNING!

The case of this machine should be grounded for safety sake. Thank you for your cooperation.

A. Structure

ES-2800L



1. BOTTOM TRUNK
2. HEATING INDICATOR
3. TEMPERATURE CONTROLLER
4. POWER INDICATOR
5. OIL RECEIVE TRAY
6. STAINLESS DROP PLATE
7. ELEVATING HANDLE
8. TOP TRUNK
9. TOP PLATE
10. BACK TRUNK
11. BACK BOARD
12. POWER CORD
13. GROUNDING SCREW
14. RUBBER FOOT
15. BOTTOM PLATE

B. Functions

1. Make sure of its high efficient heat energy downward can make special roast effect on the surface of food. And it has an ideal result of heating and cooking for dishes with crumbs or cheese.
2. Its handle can adjust the distance of the food and heating source on demand while roasting.
3. It is made of stainless steel and the drop plate can be pull out and be easy to be cleaned.
4. It is easy to operate by rising and falling and easy for maintenance.
5. ES-2800L has a temperature controller and a heating area; EB-600 and ES-5600L have two temperature controllers and two independent heating areas.

C. Basic parameter

Model	ES-2800L
Dimension (mm)	450×450×500
Power supply	220-240V, 50/60Hz
Power	2.8kW
Temperature controller number	1
Temperature range	50~300℃
Heating area (mm)	440×320

Distance of rising and falling	0~140mm	0~140mm	0~140mm
Weight	38.5KG	49KG	61KG

D. Transportation

This product should be handled carefully and should not be upside down to prevent from damage both outside and inside during transportation. The packaged machine should be put in a ventilated warehouse without causticity gas. If it needs to be stored in open air temperately, measurement against raining is needed.

E. Precautions

- 1.The voltage for using this product must be coordinated with the supplied voltage.
- 2.When installing ES-4000L and ES-5600L, the connected diagram must be with leakage protector and 3mm touched both-pole cut-out.
- 3.There is equipotential connector on the side board. Before using please connect it safely according to safety regulation.
- 4.Before using, user should check whether every connection is firm, voltage is normal and ground connection is safe.
- 5.Use wet towel containing non-corrosive cleanser for cleaning. Do not clean this product with a water jet to prevent from damaging with water leakage.
- 6.When using, do not put any objects on the top trunk, and do not shake the top trunk.
- 7.Do not store any inflammable objects near the installed place. The temperature of environment must be lower than 45°C and the relative humidity must be lower than 85%.

8.The installation of this product should be done by professionals.

WARNING—DURING INSTALLATION!

DO NOT PLACE ON SURFACES OR NEAR WALLS, PARTITIONS OR KITCHEN FURNITURE AND THE LIKE-UNLESS THEY ARE MADE OF NON-COMBUSTIBLE MATERIAL OR CLAD WITH NON-COMBUSTIBLE HEAT-INSULATING MATERIAL AND PAY ATTENTION TO FIRE PREVENTION REGULATIONS.

Special announcement

WARNING!

- It is not suitable for using in family.
This product is commercial machine, it should be operated by trained cook.
- Do not dismantle or refit this product.
When the product is in use, do not shake the top box and tilt it.
The dismantlement and refitment will cause serious accident.
- Unplug the machine to cut off electricity before cleaning.
When cleaning do not spray water on the product directly.
Water can conduct electricity so the product may cause electric-shock accident by electric leakage.
- Do not pat the product or put heavy things on the top of it.
Incorrect operation may cause the equipment damage and danger.
- High temperature will cause scald.
When fire-facing oven is in use and before or after being used, do not touch directly body of trunk and chamber of top truck because of high temperature.

Notice!

- When thunder and lightning is closing, user should shut off main switch to avoid appliance being damaged by lightning strike.
- Do not use hard and sharp object to destroy the surface of oven body and panel.
- After using, please shut off main switch.
The installation and maintenance of electric circuit by professionals.
If power cord is damaged, for preventing from danger, user should ask manufacturer or maintenance department or specific professionals to change it.

WARNING!

- Do not use other power supply which is not marked in the product.
- Do not use main switch which is not coordinated with safety standard.

F. Instructions

1. Before using, check whether the power installation is correct to assure the supplied voltage is coordinated with the suing voltage.
2. Plug on and green indicator is on which shows the oven is connected.
3. Rotate the temperature controller (proportional) clockwise and set the needed temperature, at this time the yellow indicator is on and shows the heating tube is operating.
4. Raise the top trunk, insert the food covered with crumb and cheese onto the stainless drop plate.
5. Pull upward and downward the handle vertically, adjust the distance between food surface and heating source and stop at the certain height according to the requirement of treatment.
6. When temperature reaches a certain degree, temperature controller will cut off power automatically, at the same time heating indicator is off and heating tube stops operating which shows to prepare for next one.
7. When top trunk rises to the top, the finished food can be taken out.
8. When temperature lowers down, temperature controller can connect power automatically, at the same time yellow indicator is on. Electric heating tube resumes operating and this process repeat time after time.
9. Rotate the ratio machine clockwise to the maximum position which is normal heating place that shows heating tube works from the beginning to the end but not heats in circulation way.
10. The oven with two temperature controllers can accord needs to heat separately or at the same time the operation is as easy as the operation of a temperature controller.
11. After finishing operation, rotate the temperature controller to off position at reverse

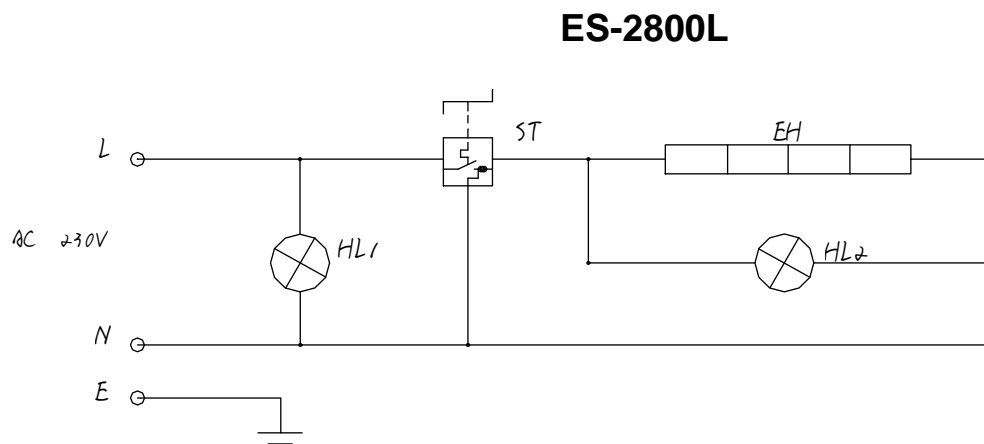
direction. Then plug off the equipment and cut down the power.

12. If the power cord is damaged, user should ask the professionals to change the same model and specification power cord.

G. Cleaning and maintaining

1. Cut off power before cleaning to prevent from accident.
2. The stainless drop plate and drop net can be taken out to clean with water with non-corrosive cleaner. But do not use sharp knife to get rid of filth on the surface of oven.
3. After finishing operation, user can use wet towel containing non-corrosive cleaner to scrub the surface of oven and power cord. Do not spray water directly to clean body of oven in case of water inleakages into controlling trunk and destroy electric function and elevating structure.
4. If user does not use it at any time, user should shut power switch and temperature controller in time.
5. While the equipment is not used for a long period, user should clean the oven and put it in a well-ventilated warehouse with no corrosive gas.

H. Circuit diagram



HL1, HL3—POWER INDICATOR HL2, HL4—HEATING INDICATOR
ST, ST1, ST2—TEMPERATURE CONTROLLER
EH, EH1, EH2—ELECTRIC HEATING TUBE E—GROUND-CONNECTION

I. Troubleshooting

Troubles	Checks	Solutions
1. Power indicator(green) is not on.	①If power is connected? ②If there is power supply? ③If power indicator is broken?	Change fuse Keep electricity supply be well Change power indicator
2. Heating indicator (yellow) is not on when heating tube is operating	①If heating indicator is broken? ②If connecting wire is loose?	Change heating indicator Get through the connector
3. Electric heating tube stops working.	①If heating tube is burned? ②If temperature controller is out of order?	Change electric heating tube Change temperature controller
4. Top trunk cannot rise and fall.	①If storage object locked between up trunk and back trunk? ②If back trunk elevating structure is out of order?	Open back board to repair

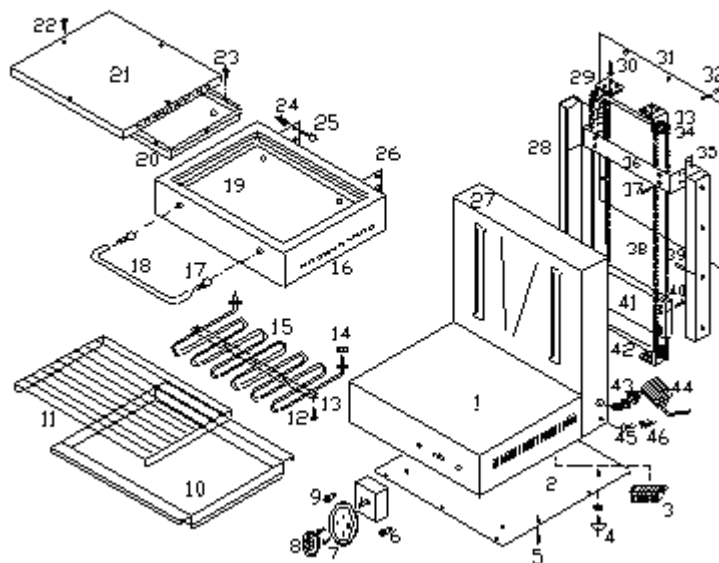
J. Daily check

Warning!	
●	Must check it everyday. Check the product usually in case of serious accident happens.
●	When user feels that there are problems in electric circuit or machine, user should stop using it. Please ask professionals to check and maintain it as soon as possible.

Everyday before and after using the machine user should check it.	
Before using	If the machine is slanted? If power cord is old, broken and damaged? If the controlled panel is damaged?
In using	If there is strange or stinking smell? If the back board is out of shade by beating and affects elevating?

K. Solid disassemble diagram for Maintenance

ES-2800L



- | | | | |
|----------------------------------|------------------------|---------------------------|-----------------------------|
| 1. Bottom trunk | 2. Bottom board | 3. Ceramic base | 4. Rubber foot |
| 5. Screw M4x8 | 6. Heating indicator | 7. Screw M4x6 | 8. Temperature controller |
| 9. Power indicator | 10. Oil receive tray | 11. Stainless drop plate | 12. Screw M4x16 |
| 13. Layering piece | 14. Nut M12 | 15. Electric heating tube | 16. Top trunk |
| 17. Screw M8x12 | 18. Lift style handle | 19. Top plate | 20. Insulation cotton board |
| 21. Top casing cover | 22. Screw M4x20 | 23. Screw M4x8 | 24. Hexagon head screw M6 |
| 25. Hexagon head nut M6x20 | 26. Crown board | 27. Back trunk | 28. Chute |
| 29. Bearing base | 30. Screw M4x16 | 31. Back board | 32. Screw M4x8 |
| 33. Chain wheel | 34. Small bearing 628Z | 35. Supporting point | 36. Chained board |
| 37. Stainless screw M3x20 | 38. Chain | 39. Screw M4x16 | 40. Stainless screw M3x20 |
| 41. Balancing piece | 42. Sprocket bearing | 43. Sheath of power cord | 44. Power cord |
| 45. Copper grounding screw M6x15 | 46. Copper nut M6 | | |

List of solid disassemble diagram ES-2800L

NO	Part name	Material specification	Quantity	Note
1	Bottom trunk	304 board/a=1.0	1	
2	Bottom board	Zinc coat board/a=1.0	1	
3	Hexagon head screw	M8x25/A3 zinc coat	4	With four hexagon nuts
4	Rubber foot	Ø50x30/black	4	
5	Crosshead screw	M4x8/3A zinc coat	10	With flat pad head
6	Heating indicator	250V, 14A/yellow	1	Insert type
7	Crosshead screw	M4x6/A3 zinc coat	2	
8	Temperature controller	250V,13A /proportional	1	With knob sets
9	Power indicator	250V,14A/green	1	Insert type
10	Oil receive tray	Stainless steel 304board/a=0.8	1	
11	Stainless drop net	Stainless wire Ø3, Ø6	1	
12	Crosshead screw	M4x16/45#	10	
13	Layering of electric heating tube	Stainless steel 304board/a=1.0	2	
14	Electric heating tube	2.8kW, 230V/stainless wire Ø8	1	
15	Front insulation board	304board/a=0.8	1	
16	Crosshead screw	M8x10/A3 zinc coat	2	
17	Elevating handle	Bakelite 240x60	1	
18	Top trunk	304board/a=0.8	1	
19	Head insulated cotton	Glass fiber	0.5kg	
20	Insulation cotton board	Electrolytic/a=0.8	1	
21	Top casing	304board/a=0.8	1	

	cover			
22	Crosshead screw	M4×20/A3 zinc coat	4	With flat pad head
23	Crosshead screw	M4×8/A3 zinc coat	4	With flat pad head
24	Hexagon screw	M6×20/A3 zinc coat	6	With a spring pad and a flat pad head
25	Hexagon nut	M6/A3 zinc coat	12	
26	Crown board	304board/a=2.0	2	
27	Back trunk	304board/a=1.0	1	
28	Chute	400×45/45 steel, chromium plating	2	
29	Bearing base	A3board/a=5,10mm	4	
30	Crosshead screw	M4×16/45#	16	
31	Back board	430board/a=1.0	1	
32	Crosshead screw	M4×8/A3 zinc coat	10	With flat pad head
33	Small chain wheel	Ø35×18/16teeth/45#	4	
34	Small bearing	628Z	4	
35	Support board	A3 cold-rolled plate/a=3.0	2	
36	Chained board	A3 cold-rolled plate/a=3.0mm	1	
37	Stainless screw	M3×20/stainless steel	4	With four M3 nuts
38	Chain	Long04B/45#/pitch6.35	2	
39	Crosshead screw	M4×16/45#	8	
40	Stainless screw	M3×20/stainless steel	8	With eight M3 nuts
41	Balancing piece	A3iron plate/a=20mm	1	
42	Sprocket bearing	Cold-straight circle Ø 12×243	2	
43	Sheath of power cord	Ø16/heat-resistant plastic	1	Use rubber screw pressed wire
44	Power cord	3×1.5mm ² /250V	1	With plug by require
45	Grounding screw	M6×15/brass	1	With two spring pad and two flat pad head
46	Copper nut	M6/brass	2	

Notice: Each machine has an extra decorate panel, packed paper box and hull rubber bag.

Waste disposal

Discarding old devices

At the end of its service life the discarded device has to be disposed in accordance with the national regulations. It is advisable to contact a company which is specialized in waste disposal, or just contact the local disposal service in your community.

WARNING!

To exclude any abuse and the dangers involved make the waste device unfit for use before disposal. For that purpose disconnect device from mains supply and remove mains connection cable from the device.

CAUTION!

For the disposal of the device please consider and act according to the national and local rules and regulations.

