

# Electric Toaster Instruction Manual

**Model: ETS-6**



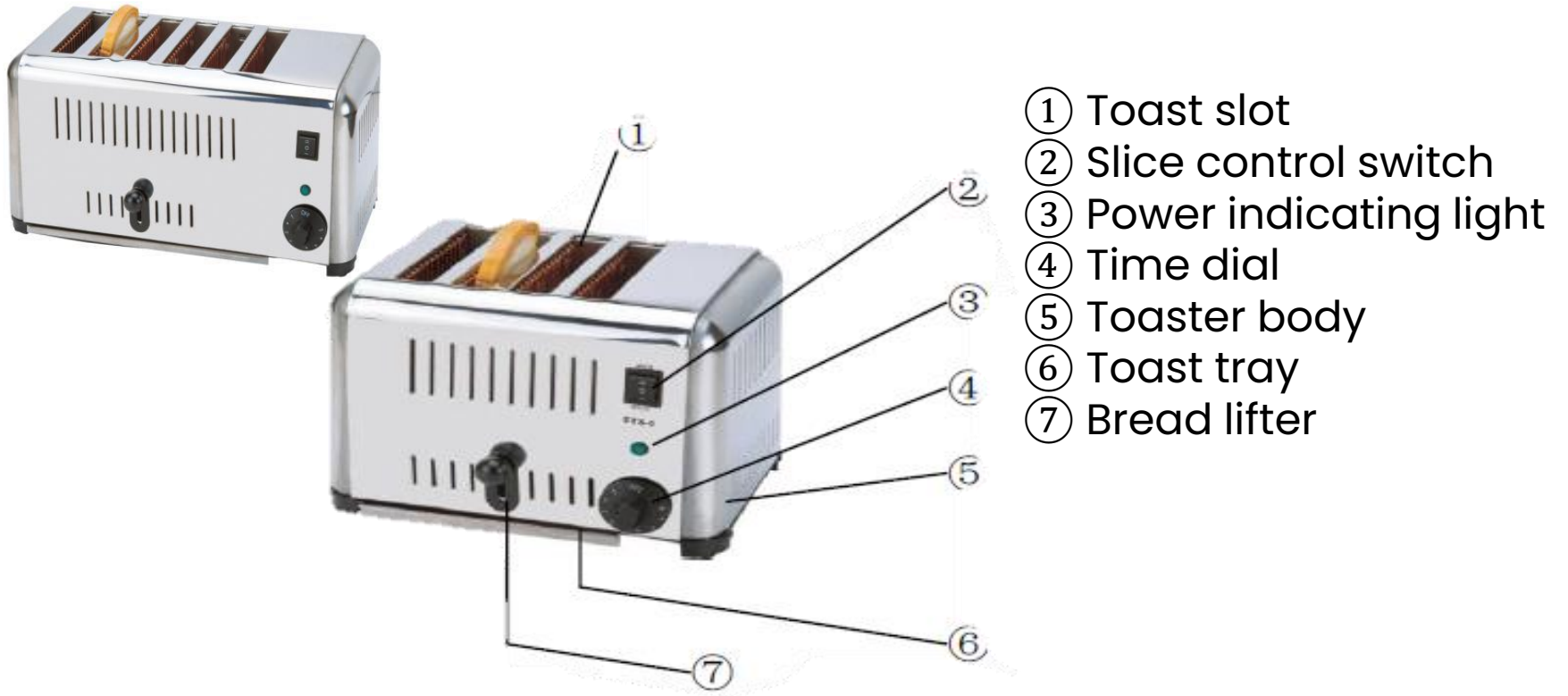
**Please read this instruction manual carefully before  
operation**

# Safety

- Keep out of reach of children.
- Cleaning and user maintenance shall not be made by children
- If the supply cord is damaged, it must be replaced by the manufacturer, its service agent or similarly qualified persons in order to avoid a hazard.
- The bread may burn, therefore do not use the toaster near combustible material.
- This toaster is not intended to be operated by means of an external timer or separate remote-control system.
- This appliance is intended to be used in household and similar applications such as:
  - staff kitchen areas in shops, offices and other working environments;
  - farm houses
  - hotels, motels and other residential type environments;
  - bed and breakfast type environments.

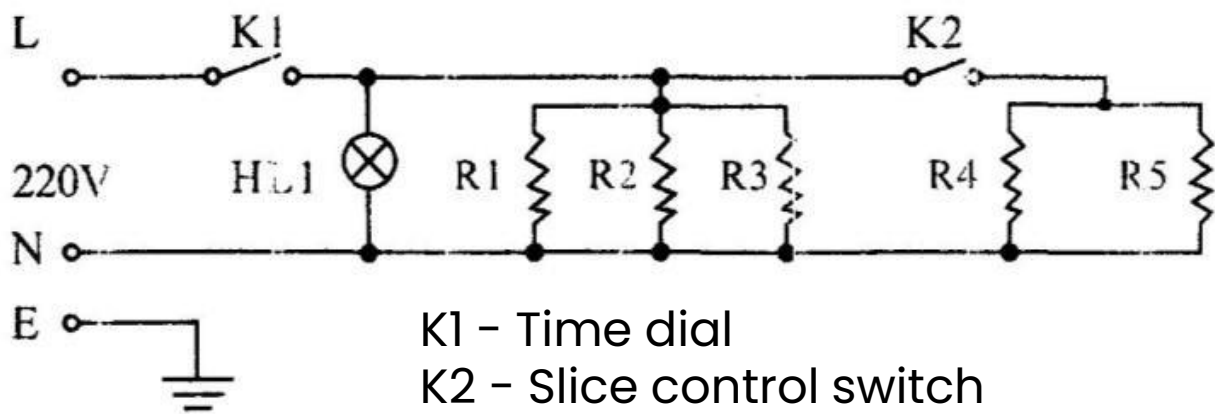
# Instructions For Use

1. Plug in the toaster, insert bread slices into the slots①,
2. Set the dial ④, the power indicating lamp③ lights, activating the toaster.
3. When it 'dings' the toasting cycle is complete. Press the bread lifter ⑦, the toast will pop out of the slots.
4. Press the slice control switch② to choose 2 or 4 or 6 bread slices to be toasted at one time for Mod WCST6000 (choose 2 or 4 bread slices for Mod WCST4000).



- ① Toast slot
- ② Slice control switch
- ③ Power indicating light
- ④ Time dial
- ⑤ Toaster body
- ⑥ Toast tray
- ⑦ Bread lifter

## Circuit Diagram



K1 - Time dial  
 K2 - Slice control switch  
 HL1 - Power indicating light  
 R1~R5 - The electric thermal plate

TYPE	ETS-6
NAME	6 SLICE TOASTER
RATED LOAD (V)	220-230v
RATED POWER	1.8 (1.1/2.5 Kw)
TOASTING TIME	0-5 MINUTES
NUMBER OF SLOTS	6
DIMENSIONS (mm)	465 x 285 x 250

# Cleaning & Maintenance

1. To prevent any hazards, the power should be turned off before cleaning and maintenance.
2. Pull the toaster tray at the end of the toasters and empty it. If the toaster is often used, the toaster tray should be removed and emptied weekly. Make sure that the toaster tray fully closed before using the toaster again.
3. After using, the surface of the toaster can be wiped with a soft damp cloth without corrosive cleaner, while only a dry cloth can be applied to the control switch.
4. Do not flushing the machine with water. When not in use or storage, the mains cables on the underside of the toasters should be coiled.

## **Waste disposal:**

At the end of its service life the device has to be disposed in accordance with the national regulations. It is advisable to contact a company which specialises in waste disposal, or just contact the local disposal service in your community.

## **WARNING!**

Make the device unfit for use before disposal. For that purpose disconnect the device from the mains supply and remove the mains.