

MODEL: **BaSix BSX-400-NT-T**

# BASIX

BaSix 400 Hand Wash Station. Battery-Operated, Hands-Free operation. Includes Delabie Tempomatic 3 tap, Premix Nano thermostatic mixer, water hose & tap hole stopper

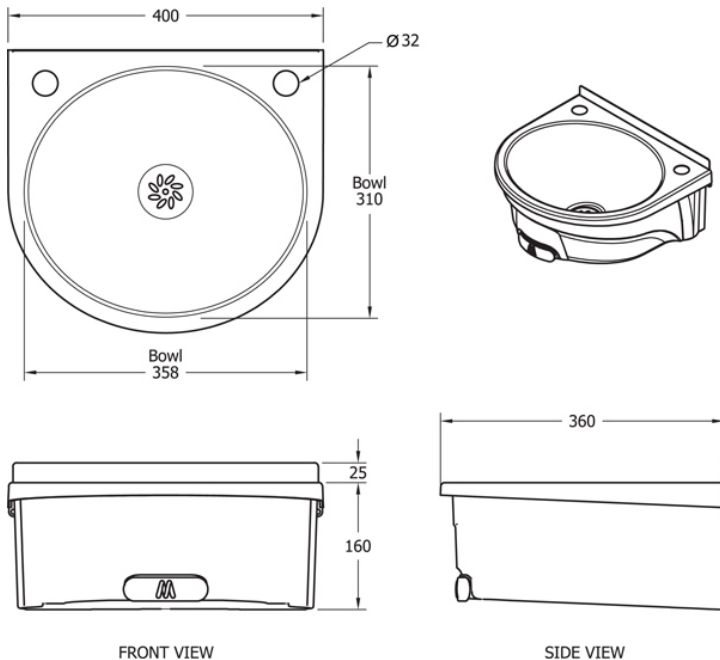
**Model range:** BSX-400  
**Controls:** Hands-Free  
 Hands-free ' Battery Operated'  
**Tap type:** Tempomatic 3  
**Accreditation:** WRAS

**FEATURES & BENEFITS**

- WRAS approved across the whole range.
- Curved design ideal for commercial kitchens.
- No sharp corners for kitchen staff to knock into.
- Easy to clean integral flush grated waste reduces the risk of bacterial development.
- Bowl and deck are permanently bonded to the skirt removing the need for exposed bolts and rivets.
- High strength injection moulded skirt removes the possibility of cut hazards created by sharp stainless steel edge.
- Mounting bracket with integral spirit level for fast and easy installation.
- Optional waste bins can be fitted to all models.
- Stylish, functional design.

**TECHNICAL INFO**

- Dimensions: O/D: 400 x 360 x 160mm Bowl: 358 x 310 x 130 deep
- Flow rate: Flow straightener set at 3 lpm at 3 bar.
- WRAS COMPONENT PARTS: DLB Nano Thermostatic Mixer - 1409058  
 Braided Hose - 1405138.



**MAINTENANCE & CLEANING**

Cleaning chrome: Do not use abrasive, chlorine or acid-based cleaning products. Avoid contact with concentrated bleach. Clean with soapy water using a cloth or sponge.

Dimensions are in millimeters. If a Cad file is required please visit [www.mechline.com](http://www.mechline.com).