

MODEL: **BaSix WS1-NT**

BASIX

BaSix Hand Wash Station. Battery-Operated, Hands-Free operation. Includes Delabie Tempomatic 3 tap, M-MX91 manual mixer, water hose & tap hole stopper

Model range: WS1
Controls: Hands-Free
Tap type: Tempomatic 3
Accreditation: WRAS

FEATURES & BENEFITS

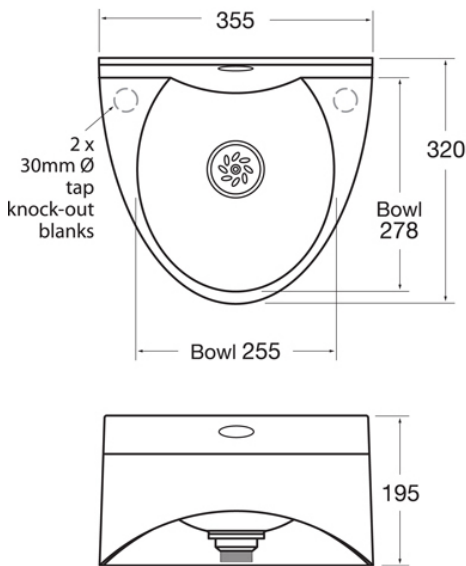
- Range of hygienic hand washing solutions.
- Helps operations meet their requirement to provide hand-washing stations on site.
- Good and safe habits are more easily followed and enforced.
- Engineered from a single-piece, moulded high-grade polycarbonate ABS plastic.
- Strong & durable with no sharp edges.
- Eco-friendly the WS1 can be fully recycled & has lower embedded energy costs than traditional stainless steel basins.
- 90% water saving with a Delabie hands free tap.

TECHNICAL INFO

- Dimensions: O/D: 355 x 320 x 195mm Bowl: 255 x 278 x 110mm deep

MAINTENANCE & CLEANING

Cleaning chrome: Do not use abrasive, chlorine or acid-based cleaning products. Avoid contact with concentrated bleach. Clean with soapy water using a cloth or sponge.



Dimensions are in millimeters. If a Cad file is required please visit www.mechline.com.



MECHLINE DEVELOPMENTS LIMITED
 Tel: +44 (0)1908 261511 | Email: info@mechline.com | Web: www.mechline.com