

POLAR

Wine fridge

Instruction manual



(NL) Wijnklimaatkast	9	(IT) Refrigeratore per vini	30
Handleiding		Manuale di istruzioni	
(FR) Armoire à vin	16	(ES) Refrigerador para vinos	37
Mode d'emploi		Manual de instrucciones	
(DE) Weinkühlvitrine	23	(PT) Expositor de vinhos refrigerado	44
Bedienungsanleitung		Manual de instruções	

Model • Modèle • Modell • Modello • Modelo • Malli:
CB058

Safety Tips

- Position on a flat, stable surface.
- A service agent/qualified technician should carry out installation and any repairs if required. Do not remove any components or service panels on this product.
- Consult Local and National Standards to comply with the following:
 - Health and Safety at Work Legislation
 - BS EN Codes of Practice
 - Fire Precautions
 - IEE Wiring Regulations
 - Building Regulations
- DO NOT immerse in water, or use steam/jet washers to clean the unit.
- DO NOT cover the appliance when it is operating.
- DO NOT store food in the wine fridge.
- Always carry, store and handle the appliance in a vertical position.
- Never tilt the appliance more than 45° from the vertical.
- This appliance is intended to be used in household and similar applications.
- Keep all packaging away from children. Dispose of the packaging in accordance with the regulations of local authorities.
- If the power cord is damaged, it must be replaced by a POLAR agent or a recommended qualified technician in order to avoid a hazard.
- This appliance can be used by children aged from 8 years and above and persons with reduced physical, sensory or mental capabilities or lack of experience and knowledge if they have been given supervision or instruction concerning use of the appliance in a safe way and understand the hazards involved.

- Children shall not play with the appliance.
- Cleaning and user maintenance shall not be made by children without supervision.
- Polar recommends that this appliance should be periodically tested (at least annually) by a Competent Person. Testing should include, but not be limited to: Visual Inspection, Polarity Test, Earth Continuity, Insulation Continuity and Functional Testing.
- Polar recommend that this product is connected to a circuit protected by an appropriate RCD (Residual Current Device).
- This appliance is intended to be used exclusively for the storage of wine.
- Children aged from 3 to 8 years are allowed to load and unload refrigerating appliances.

Warning: Risk of Fire / flammable materials



- The refrigerant gas contained in this appliance is isobutene (R600a), which is low-polluting but flammable.
- Do not store explosive substances such as aerosol cans with a flammable propellant in this appliance.



Warning: Keep all ventilation openings clear of obstruction. Unit should not be boxed in without adequate ventilation.

- **Warning:** Do not use mechanical devices or other means to accelerate the defrosting process, other than those recommended by the manufacturer.
- **Warning:** Do not damage the refrigerant circuit.
- **Warning:** Do not use electrical appliances inside the food storage compartments of the appliance, unless they are the type recommended by the manufacturer.

Introduction

Please take a few moments to carefully read through this manual. Correct maintenance and operation of this machine will provide the best possible performance from your POLAR product.

Pack Contents

The following is included:

- Wine fridge
- Instruction manual

POLAR prides itself on quality and service, ensuring that at the time of packaging the contents are supplied fully functional and free of damage.

Should you find any damage as a result of transit, please contact your POLAR dealer immediately.

Installation



Note: If the unit has not been stored or moved in an upright position, let it stand upright for approximately 12 hours before operation. If in doubt allow to stand.

1. Place the fridge on a floor that is able to support it once fully loaded.
2. Remove the appliance from the packaging and the protective film from all surfaces.
3. Avoid positioning the fridge in direct sunlight or damp areas.
4. To optimize performance and longevity, ensure a minimum clearance of 2.5cm is maintained between the unit and walls and other objects, with a minimum 5cm clearance on the top. **NEVER LOCATE NEXT TO A HEAT SOURCE.**
5. If necessary, adjust the screw legs of the fridge to make it level.



WARNING: When positioning the appliance, ensure the supply cord is not trapped or damaged.
WARNING: Do not locate multiple portable socket-outlets or portable power supplies at the rear of the appliance.

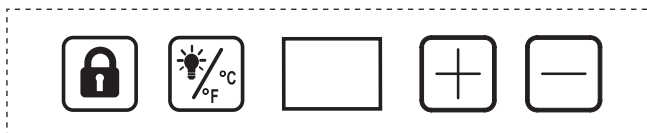
Operation







Note: the fridge should be placed in an area where the ambient temperature is between 16-32°C.

- When using the fridge for the first time, or re-starting it after a long period of time, there may be a few degrees variance between the selected temperature and what is shown on the LED display. Once the fridge has been switched on for a few hours, this should rectify itself.
- If the unit is unplugged, has lost power or been turned off, wait 3 to 5 minutes before restarting the fridge.

Control panel



Unlock		Press and hold for 2 seconds to unlock
Light / Temp unit		Press shortly to turn light on/off; Press and hold to switch between Fahrenheit and Celsius
Up		Press to increase / decrease the temperature
Down		(Temperature range: 5°C/41°F ~ 18°C/64°F)

Note:

- When the surrounding temperature is 25°C and the wine fridge has no bottle loaded, it will take around 30 minutes to increase the inner temperature from 5°C to 12°C. Under the same circumstance, it will take around 1 hour to decrease the inner temperature from 12°C to 5°C. The less the temperature span is, the less time it will take.
- **It is recommended to set the fridge to 12°C for optimal wine storage.** If the set temperature is higher than 12°C, the energy consumption will be lower. If lower than 12°C, the energy consumption will be higher.

Automatic locking function

- When all keys keep inactive for 20 seconds, the Up and Down keys will be locked automatically. Whereas, the Light / Temp unit key can operate as normal.
- Press and hold the unlock key to unlock.

Automatic light off function

When all keys keep inactive for 10 minutes, the light will turn off automatically.

Display stability

Celsius (°C) mode	When the temperature measured by the temperature probe is within $\pm 1^{\circ}\text{C}$ of the set temperature, the display will show the set temperature value
Fahrenheit (°F) mode	When the temperature measured by the temperature probe is within $\pm 2^{\circ}\text{F}$ of the set temperature, the display will show the set temperature value

Forced defrost function

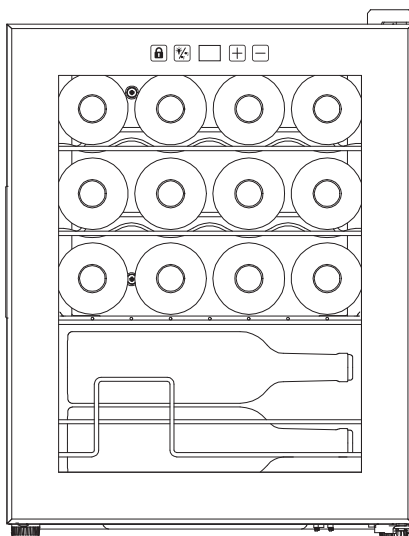
When working every 8 hours, the appliance will start an automatic defrost cycle of about 45 minutes.

Memory function

With the memory function, all previous settings will be resumed after restarting the appliance.

Bottle Layout

To achieve the maximum capacity of your wine fridge, the bottles should be laid out as below.



16 bottles (4 in base)



NB: Bottle capacities are approximate maximums when storing traditional Bordeaux 750ml bottles and include bulk storage.

Storing Mixed Bottles

Due to a slight temperature variance between the top and the bottom of the wine fridge, POLAR recommend that bottles of white wine are stored in the bottom of the wine fridge and bottles of red wine at the top.

To avoid contamination of drink, please respect the following instructions:

- Opening the door for long periods can cause a significant increase of the temperature in the compartments of the appliance.
- If the refrigerating appliance is left empty for long periods, switch it off. Then defrost and clean it thoroughly. Let it dry well and leave the door open to prevent mould developing within the appliance.
- Clean regularly surfaces that can come in contact with drink and accessible drainage systems.
- Only load the appliance when it has reached the correct operating temperature.

Cleaning, Care & Maintenance

- Always switch off and disconnect the power supply before cleaning.
- Remove all bottles from the appliance.
- Warm, soapy water is recommended for cleaning. Cleaning agents may leave harmful residues.
- A POLAR agent or qualified technician should carry out repairs if required.
- Periodically clean the bottom of the wine fridge compartment to remove any build-up of condensation.

Troubleshooting

If your POLAR appliance develops a fault, please check the following table before making a call to the Helpline or your POLAR dealer.

Fault	Probable Cause	Solution
The appliance is not working	The unit is not switched on	Check the unit is plugged in correctly and switched on
	Plug or lead is damaged	Call POLAR agent or qualified Technician
	Fuse in the plug has blown	Replace the fuse
	Power supply	Check power supply
Appliance is noisy or works intermittently	Appliance is not level	Adjust the feet to level the appliance
Wine fridge cabinet is not cold enough	Temperature set incorrectly	Check temperature and reset if necessary
	External environment may require colder temperature	Check temperature and reset if necessary
	The door is opened too often	Only open when necessary
	Door seal is worn	Call POLAR agent or qualified technician
Light is not working	Light key is not pressed	Press the light key
	Bulb has blown	Call POLAR agent or qualified technician
Door will not close properly	Appliance is not level	Adjust the feet to level the appliance
	Shelves are out of position	Check all shelves are properly inserted
	Door seal is dirty	Wipe clean with a damp cloth
Error code "EE" on display	Temperature probe is short-circuited or disconnected	Call POLAR agent or qualified technician
Error code "LL" on display	Temperature measured by the temperature probe is lower than 0°C (Display range: 0~37°C)	Call POLAR agent or qualified technician
Error code "HH" on display	Temperature measured by the temperature probe is higher than 37°C (Display range: 0~37°C)	

Technical Specifications

Model	Voltage	Power	Current	Bottle Capacity	Refrigerant	Temp. Range	Dimensions H x W x D mm	Weight (kg)
CB058	220-240V~ 50Hz	85W	0.6A	16	R600a 21g	5-18°C	560 x 430 x 450	17

Electrical Wiring

POLAR appliances are supplied with a 3 pin BS1363 plug and lead.

The plug is to be connected to a suitable mains socket.

POLAR appliances are wired as follows:

- Live wire (coloured brown) to terminal marked L
- Neutral wire (coloured blue) to terminal marked N
- Earth wire (coloured green/yellow) to terminal marked E

This appliance must be earthed.



If in doubt consult a qualified electrician.

Electrical isolation points must be kept clear of any obstructions. In the event of any emergency disconnection being required they must be readily accessible.

Disposal

EU regulations require refrigeration product to be disposed of by specialist companies who remove or recycle all gasses, metal and plastic components.

Consult your local waste collection authority regarding disposal of your appliance. Local authorities are not obliged to dispose of commercial refrigeration equipment but may be able to offer advice on how to dispose of the equipment locally.

Alternatively call the POLAR helpline for details of national disposal companies within the EU.

Compliance

The WEEE logo on this product or its documentation indicates that the product must not be disposed of as household waste. To help prevent possible harm to human health and/or the environment, the product must be disposed of in an approved and environmentally safe recycling process. For further information on how to dispose of this product correctly, contact the product supplier, or the local authority responsible for waste disposal in your area.



POLAR parts have undergone strict product testing in order to comply with regulatory standards and specifications set by international, independent, and federal authorities.



POLAR products have been approved to carry the following symbol:

All rights reserved. No part of these instructions may be produced or transmitted in any form or by any means, electronic, mechanical, photocopying, recording or otherwise, without the prior written permission of POLAR.
Every effort is made to ensure all details are correct at the time of going to press, however, POLAR reserve the right to change specifications without notice.

DECLARATION OF CONFORMITY

- Conformanceverklaring • Déclaration de conformité • Konformitätserklärung • Dichiarazione di conformità •
• Declaración de conformidad • Declaração de conformidade

Equipment Type • Uitrustingstype • Type d'équipement • Gerätetyp • Tipo di apparecchiatura • Tipo de equipo • Tipo de equipamento	Model • Modèle • Modell • Modello • Modelo • Malli
C-series Tabletop Wine Cooler	CB058 (& -E)
Application of Territory Legislation & Council Directives(s) Toepassing van Europese Richtlijn(en) • Application de la/des directive(s) du Conseil • Anwendbare EU-Richtlinie(n) • Applicazione delle Direttive • Aplicación de la(s) directiva(s) del consejo • Aplicação de directiva(s) do Conselho	<p>Low Voltage Directive (LVD) - 2014/35/EU Electrical Equipment (Safety) Regulations 2016 EN 60335-1:2012 +A11:2014 +A13:2017 EN 60335-2-24:2010 +A1:2019 +A2:2019 EN 62233:2008</p> <p>Electro-Magnetic Compatibility (EMC) Directive 2014/30/EU - recast of 2004/108/EC Electromagnetic Compatibility Regulations 2016 (S.I. 2016/1091) EN 55014-1:2017 EN 55014-2:2015 EN IEC 61000-3-2:2019 EN 61000-3-3:2013 +A1:2019</p> <p>Restriction of Hazardous Substances Directive (RoHS) 2015/863 amending Annex II to Directive 2011/65/EU Restriction of the Use of Certain Hazardous Substances in Electrical and Electronic Equipment Regulations 2012 (S.I. 2012/3032)</p>
Producer Name • Naam fabrikant • Nom du producteur • Name des Herstellers • Nome del produttore • Nombre del fabricante • Nome do fabricante	Polar

I, the undersigned, hereby declare that the equipment specified above conforms to the above Territory Legislation, Directive(s) and Standard(s).

Ik, de ondergetekende, verklaar hierbij dat de hierboven gespecificeerde uitrusting goedgekeurd is volgens de bovenstaande Richtlijn(en) en Standaard(en).

Je soussigné, confirme la conformité de l'équipement cité dans la présente à la / aux Directive(s) et Norme(s) ci-dessus

Ich, der/die Unterzeichnende, erkläre hiermit, dass das oben angegebene Gerät der/den oben angeführten Richtlinie(n) und Norm(en) entspricht.

Il sottoscritto dichiara che l'apparecchiatura di sopra specificata è conforme alle Direttive e agli Standard sopra riportati.

El abajo firmante declara por la presente que el equipo arriba especificado está en conformidad con la(s) directiva(s) y estándar(es) arriba mencionadas.

Eu, o abaixo-assinado, declaro que o equipamento anteriormente especificado está em conformidade com a(s) anterior(es) Directiva(s) e Norma(s)

Date • Data • Date • Datum • Data •
Fecha • Data

Signature • Handtekening • Signature
• Unterschrift Firma • Firma •
Assinatura

Full Name • Volledige naam • Nom et
prénom • Vollständiger Name • Nome
completo • Nombre completo • Nome
por extenso

Position • Functie • Fonction • Position
• Qualifica • Posición • Função

Producer Address • Adres fabrikant •
Adresse du producteur • Anschrift des
Herstellers • Indirizzo del produttore •
Dirección del fabricante • Morada do
fabricante

4th June 2021

DocuSigned by:

Ashley Hooper

B39382C9FD9C478...

Ashley Hooper

Technical & Quality Manager

Fourth Way,
Avonmouth,
Bristol,
BS11 8TB
United Kingdom

DocuSigned by:

Eoghan Donnellan

D3528747FFAB460...

Eoghan Donnellan

Commercial Manager/ Importer

42 North Point Business Park
New Mallow Road
Cork
Ireland

