



# Installation, Operating and Servicing Instructions

## Electric Convection Ovens NBCO50, NBCO100

Please make a note of your product details for  
future use:

Date Purchased: \_\_\_\_\_

Model Number: \_\_\_\_\_

Serial Number: \_\_\_\_\_

Dealer: \_\_\_\_\_

\_\_\_\_\_

# CONTENTS

Important Information	2
Warnings and Precautions	3
Technical Data	3
Checklist of Enclosures	3
Installation and Commissioning	3-4
Operating Instructions	5
Cleaning	6
Servicing, Maintenance and Component Replacement	6
Fault Finding	6
Spare Parts List	7
Service Information and Guarantee	8

## IMPORTANT INFORMATION



Read these instructions carefully before using this product, paying particular attention to all sections that carry warning symbols, caution symbols and notices. Ensure that these are understood at all times.



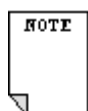
### **WARNING!**

This symbol is used whenever there is a risk of personal injury.



### **CAUTION!**

This symbol is used whenever there is a risk of damaging your Lincat product.



### **NOTE:**

This symbol is used to provide additional information, hints and tips.

---

**KEEP THIS MANUAL FOR FUTURE REFERENCE**

## WARNINGS AND PRECAUTIONS



This appliance must be installed, commissioned and serviced by a qualified person in accordance with national and local regulations in force in the country of installation.

If the supply cord is damaged, it must be replaced by the manufacturer, its service agent or similarly qualified person.

Ensure that the plug/socket is accessible at all times.

Strip plastic coating and clean the appliance before use.

During operation parts may become hot - avoid accidental contact.

Disconnect this appliance before servicing, maintenance or cleaning.

## TECHNICAL DATA

Model	Height (mm)	Width (mm)	Depth (mm)	Weight (kg)
NBCO50	400	620	600	30.5
NBCO100	520	800	600	43.5

## CHECK LIST OF ENCLOSURES

Warranty card
Instructions manual
1 x Wire shelf NBCO50
2 x Wire shelf NBCO100

## INSTALLATION AND COMMISSIONING

This appliance must be earthed.

Do not stack these appliances nor cover the ventilation point in the top in any other way.



An equipotential bonding terminal is provided to allow cross bonding with other equipment.

If replacing the plug connect the terminals as follows:

Green and Yellow wire    Earth    E  
Blue wire                    Neutral    N  
Brown wire                  Live        L

Supply cords shall be oil resistant, sheathed flexible cable not lighter than ordinary polychloroprene or equivalent elastomer sheathed cord (code 60245 IEC 57)

Install this appliance on a level surface ensuring all vents are unobstructed. Any partitions, walls or furniture must be of non-combustible material. Minimum distances A 100mm B 1000mm – see Fig 1.

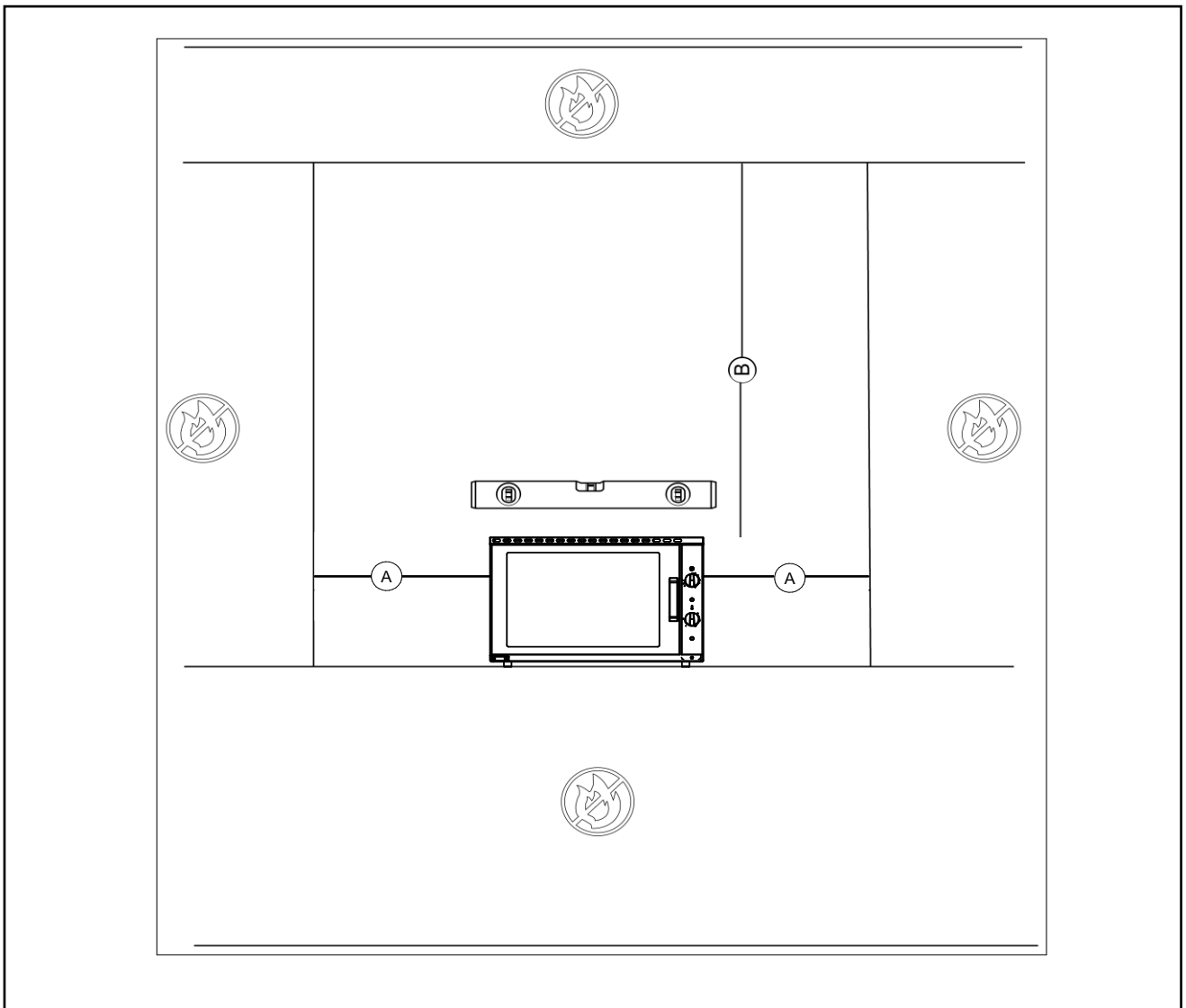


Fig 1

#### Power Ratings

Model	kW	Amps
NBCO50	2.5	10.9
NBCO100	2.5	10.9

# OPERATING INSTRUCTIONS

Only qualified or trained personnel should use this appliance.

There may be a slight odour from the oven insulation on initial start-up.

Do not cover the oven shelves with foil as this will prevent efficient air circulation.

Connect the appliance to an electricity supply and turn the control knob to the required temperature. Both the green and amber neon's illuminate, the interior light will come on and the fan will start.

The amber neon extinguishes when the set temperature is reached. The oven may now be loaded with product. The amber neon will periodically illuminate as the element cycles.

Set the timer to the required cooking time – the timer is for audible aid only – it does not control the oven cycling and will therefore not switch the oven off.

This appliance is fitted with a safety thermostat, which will cut power to the appliance under fault conditions. If the switch illuminates but the appliance does not heat up, the safety thermostat may need re-setting. The safety thermostat may be found on the rear panel as indicated in Fig 2 - A. Reset the thermostat by pressing the button in the centre. This re-set cannot be activated until the appliance is cool.

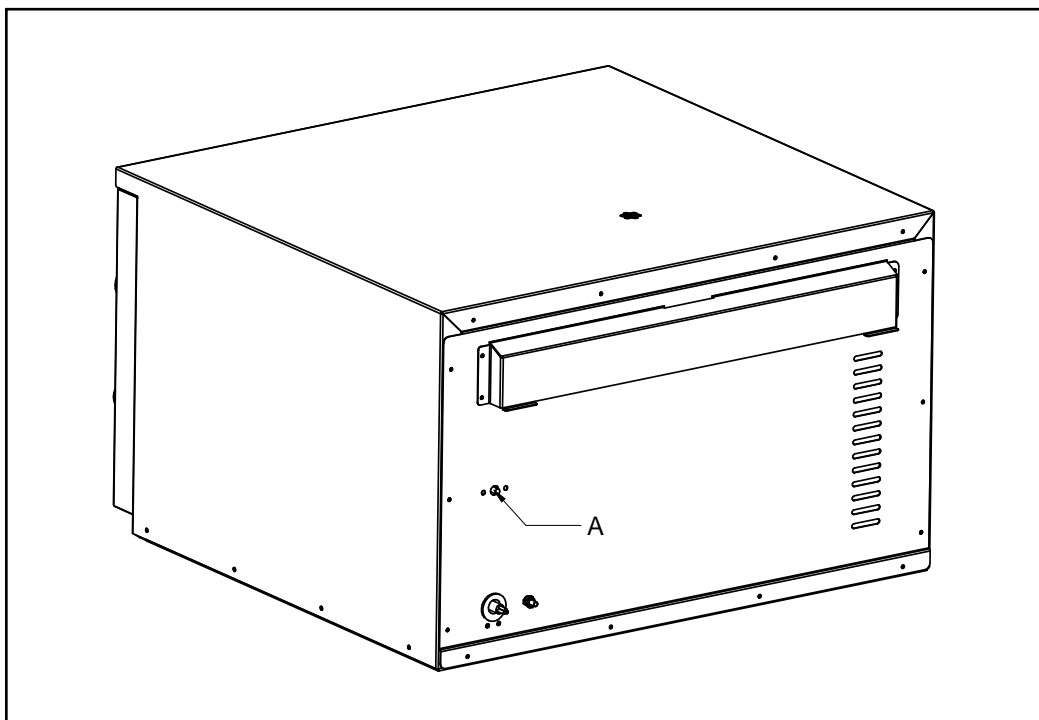


Fig 2

## CLEANING



Do not use a water jet or steam cleaner, and do not immerse this appliance. Clean all panels with warm water and mild detergent, do not use abrasive materials. Dry with a soft cloth.

When cleaning the inside of the oven, take care not to damage the thermostat phial located at the top right hand side of the oven interior.

The oven shelf incorporates a stop and also an anti-tip feature. To remove the oven shelf, push firmly to the rear of the oven and lift up at the back. The shelf may now be drawn forward until the stop is reached, and then lifted up and withdrawn from the oven. Reverse the procedure to refit the shelf.

## SERVICING, MAINTENANCE AND COMPONENT REPLACEMENT

Door inner glass: Using an allen key, remove the magnetic catch plate from the door inner. The glass may then be removed for cleaning.

Light bulb: Remove the glass cover by hand. Unscrew bulb. To replace the bulb, reverse the procedure.

Door seals: Take the hook at the ends of the seal out of each hole and use the holes to clip the new seal into place.

All other servicing, maintenance and component replacement on this appliance should be carried out by one of our recommended service engineers.

## FAULT FINDING

Please refer to the Service Help Desk number on the final page of this manual.

## SPARE PARTS LIST

Part Number	Description
BU55	Door bush
EL232	Element
FA142	Fan
GL662	Door glass NBCO50
GL663	Door glass NBCO100
KN251	Control knob
LA14	Lamp
MC01	Magnetic door catch
MC02	Magnetic plate
NE42	Amber neon
NE43	Green neon
PL202	Mains cable
SE22	Door seal – top/bottom NBCO50
SE36	Door seal – side NBCO50
SE23	Door seal – top/bottom NBCO100
SE35	Door seal – side NBCO100
SH03	Shelf NBCO50
SH135	Shelf NBCO100
SR22	Side rack NBCO50
SR1	Side rack NBCO100
SW58	Fan switch
TH61	Limit thermostat
TH46	Control thermostat
TI56	Timer