

TECHNICAL DATA T300

Weight: 40 kg
 Shelf size: 620 x 420 mm
 Wheel diameter: 150 mm

TECHNICAL DATA T400

Weight: 45 kg
 Shelf size: 600 x 545 mm
 Wheel diameter: 150 mm

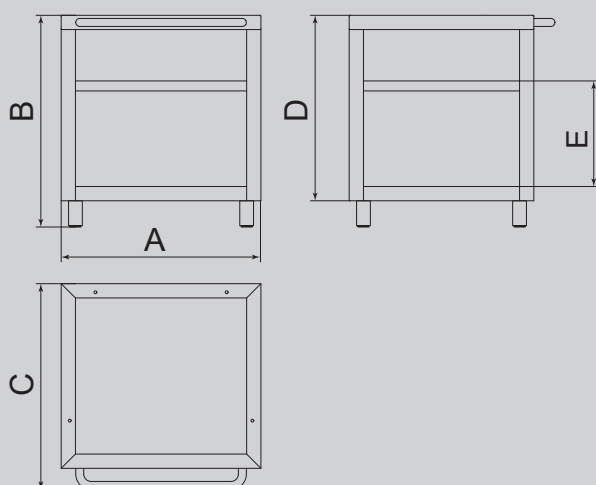
TEHNICAL DATA T500

Weight: 54 kg
 Shelf size: 800 x 545 mm
 Wheel diameter: 180 mm



*Wheels optional

TECHNICAL DRAWINGS



S300

A = 700 mm
 B = 975 mm
 C = 571 mm
 D = 800 mm
 E = 440 mm

S400

A = 700 mm
 B = 825 mm
 C = 721 mm
 D = 650 mm
 E = 370 mm

S500

A = 900 mm
 B = 825 mm
 C = 721 mm
 D = 650 mm
 E = 370 mm

Available in these colors:



Red



Black



Brown



Shiny metal and gold*
 *surcharge