



DOMINATOR*PLUS*

E3925 Electric Chargrill



Key features

- Two independently-controlled elements heat up very quickly
 - Switch on as and when required, saving energy
 - Only use one side during quieter periods
- Element heats up very quickly
 - Switch on as and when required, saving energy
- Cook directly on element
 - Delivers branding marks expected of chargrilling
 - Provides even cooking across the entire cooking area
- Removable grease container needs no water
 - No having to separate grease and water for disposal
- Magnetic sidescreens can be removed
 - Easy to clean
- Upward swivel element
 - Makes it much easier and safer to clean
- Laser-etched control icons
 - Permanent, indelible markings

Accessories

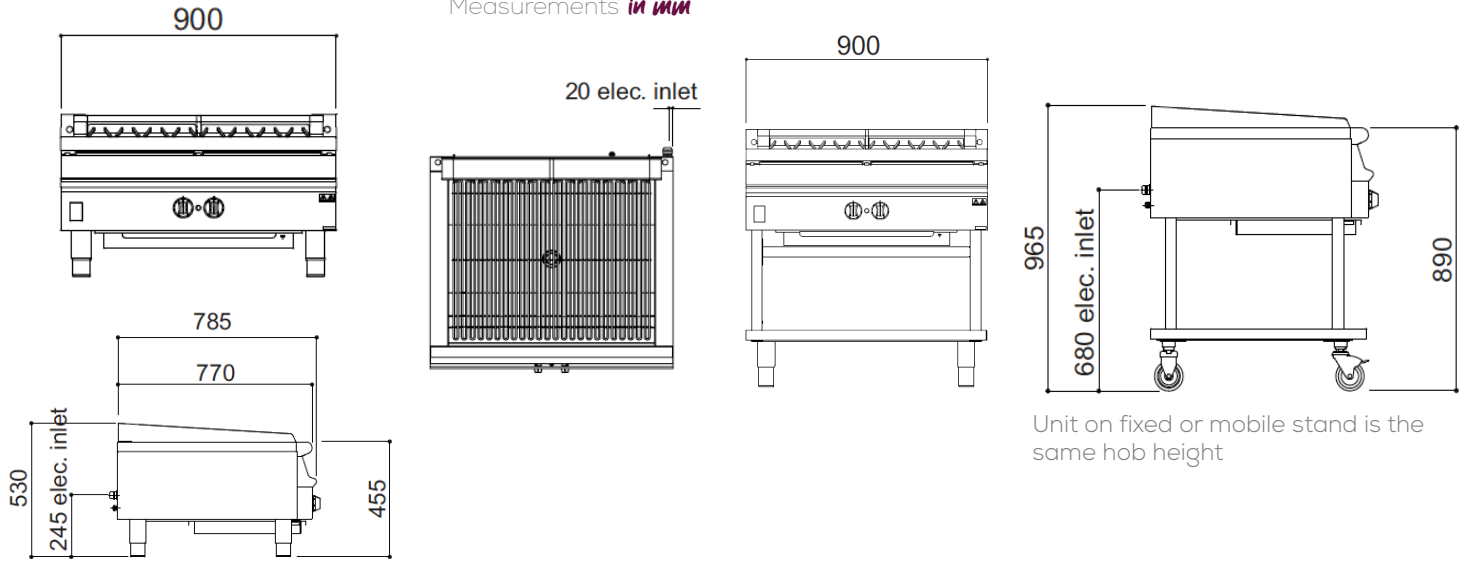
- Fixed stand
- Factory fitted, adjustable castors
- Easy-clean lining sheet
- High capacity grease collection system
- Fixed installation kit

Similar Models

- E3625 Electric chargrill
- E9490 Electric chargrill
- E9460 Electric chargrill

Electric Chargrill

Measurements *in mm*



Unit on fixed or mobile stand is the same hob height

Specification *details*

Electrical rating (kW)	13.44
Electrical supply voltage	400V 3N~
Required electrical supply (A)	32
Electrical current split (A)	L1: 11 L2: 22 L3: 22
Weight (kg)	62
Weight on stand (kg)	92
Packed weight (kg)	75
Packed dimensions (w x d x h - mm)	1000 x 1000 x 700
GTIN number	

Installation notes

Adequate ventilation must be provided to supply sufficient fresh air for combustion and to allow easy removal of any such products that may present a risk to health. Please consult current legislation for details that relate to specific locations.

Install unit on a level, fireproof surface in a well-lit, draught free position. If floor is made of a combustible material, local fire requirements must be checked to ensure compliance.

A clearance of 150mm should be observed between appliance and any combustible wall.

