



E50EL & E50ELDP Mach Electronic Commercial Glasswasher 500mm

Featuring fully digital control panel with temperature display and 5 wash programs including rapid 60 second cycle. Easy to use with intuitive colour-coded cycle button and cycle countdown timer, plus advanced features such as self-cleaning mode & thermostop for guaranteed thermal disinfection.

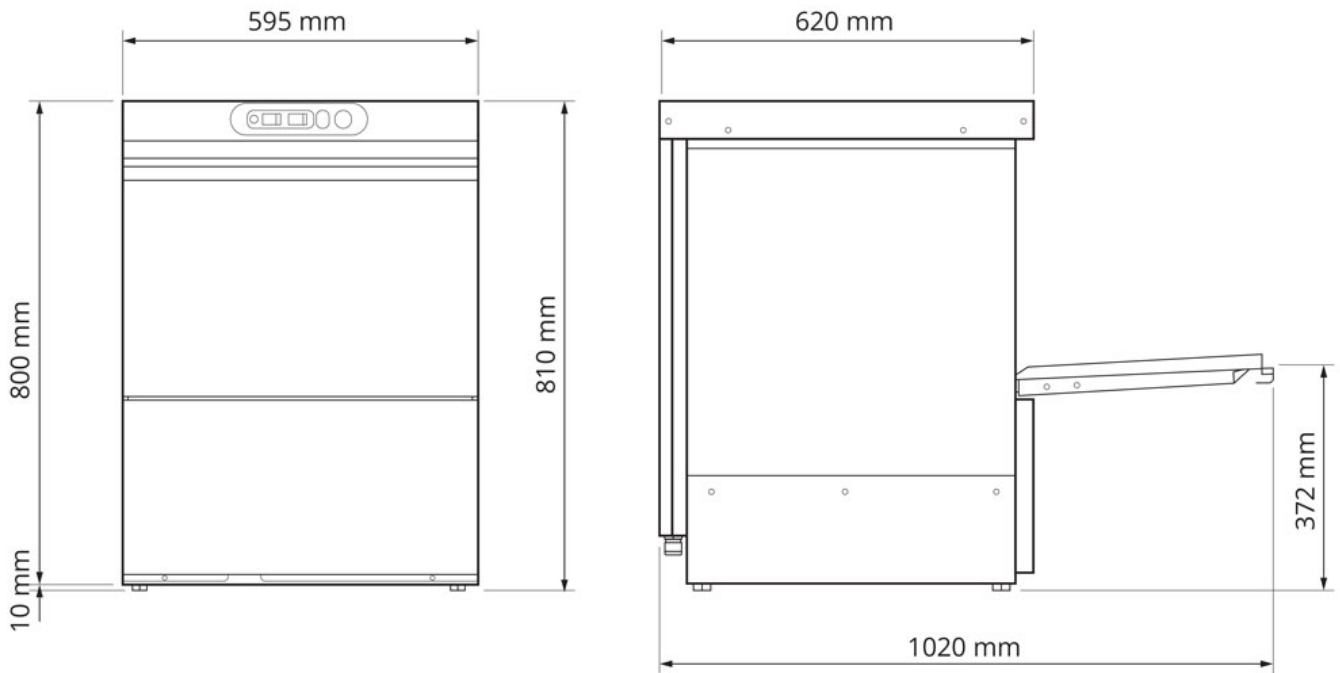
- ✓ Digital control panel with temperature displays
- ✓ Intuitive colour-driven interface with counter timer
- ✓ 5 wash programs
- ✓ Self-cleaning mode for end-of-day
- ✓ All stainless steel components
- ✓ Electronic rinse aid & detergent pumps
- ✓ Optional thermal interlock setting
- ✓ WRAS approved non-return valve
- ✓ 500x500mm basket
- ✓ Easy plug-and-play setup
- ✓ Free detergent & rinse aid pack

Specifications

Summary		Power and Performance	
Brand	Mach	Power Type	13 Amp (Plug)
Range	Electronic	Power Consumption (kW)	3kW
Model Number(s)	E50EL / E50ELDP	Amps	13A
Unit Type	Undercounter Glasswasher	Wash Tank	17 Litre (2.4kW)
Basket Size (mm)	500		

Key Specifications		Weight & Dimensions	
Break Tank	WRAS Non Return Valve	Height (mm)	800
Waste Type	Gravity or Drain Pump	Width (mm)	560
Cycle Time (Seconds)	60, 90, 120, 150, 180	Depth (mm)	600
Cycle Type	Programmable	Clear Entry Height (mm)	320
Key Features	Digital Display, Thermostop, Soft Washing Start, Self Cleaning Cycle, Heat Recovery	Weight (Kg)	120

Technical Diagram



Industrial Warewashers
Woodside Industrial Estate
Dunmow Road
Bishop's Stortford
Hertfordshire
CM23 5RG

Customer Care

Tel: 01279 876500 (Option 3)

Email: sales@industrial-warewashers.com

Opening Hours

Monday – Friday:
8.30am – 5.30pm