



myPRO^{XL} Smart Professional Washer

Built for **smart businesses** needing **extra capacity, longer durability** and **ultra-speed** on a sensible budget

Benefits and features

- ▶ **Top durability with 15.000+ cycle lifetime**
 - Built with commercial components and last nearly six times* longer than domestic washers
 - Top quality SKF bearings in a heavy duty cast iron housing
 - Durable 3 seals with 5 lips protect bearings
 - More durable with 8-point spring suspension and premium steel counterweights
- ▶ **Faster and more efficient washing process**
 - Larger load capacity: 12 kg
 - Default 35 minutes for cold wash program.
 - Save money and energy: the Smart Professional Washer with A+
 - 300 G-force for greatest spin moisture reduction and faster dry time
- ▶ **Increased flexibility and serviceability**
 - Flexible installation thanks to soft mount design and smart drain pump configuration
 - OPL as default, Coin is an optional accessory
 - Optional retrofittable stacking kit for washer+dryer
 - Superb cleanability with 4 field adjustable wash programs
 - Disinfection programs with different temperature and time selection
 - Real-time clock for happy hour, promotional pricing
 - 2 cycle upgrade buttons enhance revenue
 - Front access for easy serviceability

Accessories

- ▶ **Electronic coinmeter for standard alone coin installation**
- ▶ **Mechanical coinmeter for stacked coin installation**
- ▶ **Retrofittable kits for stacked installation both OPL and coin installation**
- ▶ **Liquid detergent supply kit**

* Compared to domestic machines

Main specifications at a glance

| | |
|----------------------------|-----|
| Washing capacity, kg | 12 |
| Drum volume, l | 100 |
| Energy efficiency class | A+ |
| Energy efficiency index, % | >52 |

Consumption data*

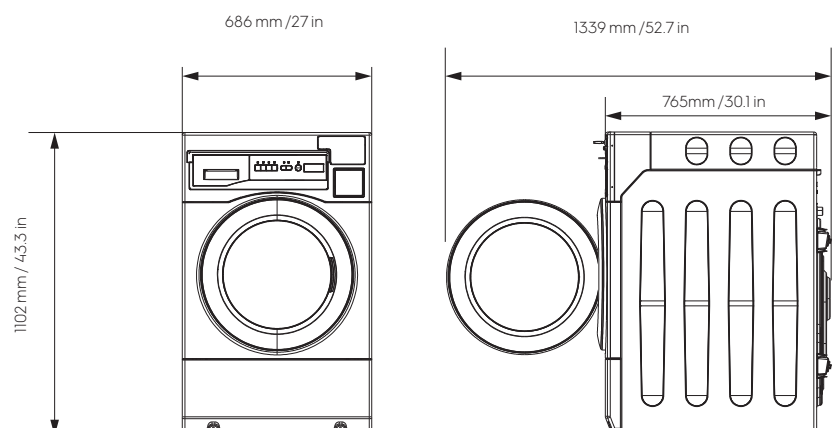
Standard normal 60 °C, full load

| | |
|---------------------------------|-------|
| Total time, min./cycle | 73min |
| Energy consumption, kWh | 1.01 |
| Water consumption (cold+hot), l | 87 |

*Water temperature 15°C cold water and 55°C hot water.

Dimensions

WE1100P



myPRO^{XL} Smart Professional Washer

Specifications WE1100P

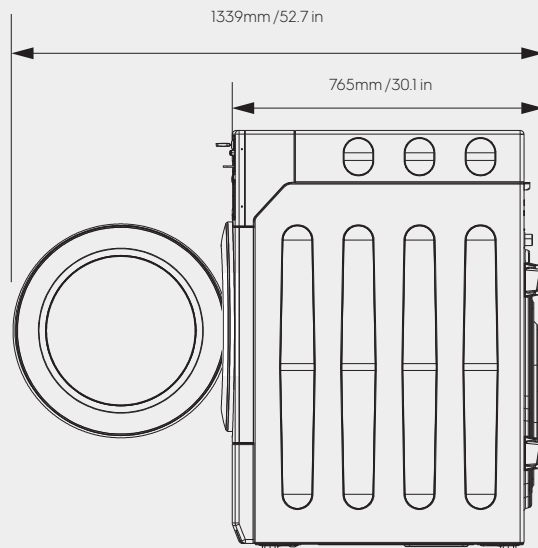
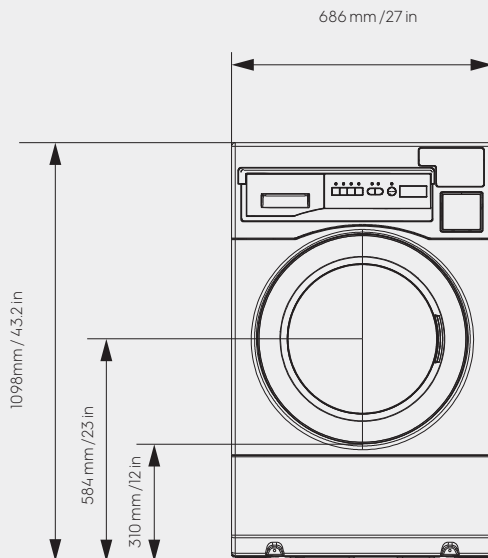
| | |
|-------------------------------|-------------------|
| Wash speed, rpm | 45 |
| Spin speed, rpm (G-factor) | 1050(300) |
| Washing noise level, dB(A) | 62 |
| Spinning noise level, dB(A) | 72 |
| Electrical connection, V/Hz/A | 220-240/50Hz/10A |
| Drive Motor | Inverter |
| Heating System (kW) | 2 |
| Cabinet, top and front | Powder painted |
| Display | LED |
| Drum design | Stainless steel |
| Detergent compartments | 3 |
| Water inlet | Cold+Hot |
| Draining system | Drain pump |
| Drain hose (mm/in) | 25 / 1 |
| Levelling feet | 4 adjustable feet |

Programs

| | |
|---|---|
| Number of programs | 7 |
| Cold / Warm / Hot / Delicate / Disinfection / Eco40°C / Eco60°C | |
| Number of additional functions | 2 |
| Heavy soild/Extra Rinse | |

Dimensions

| | |
|---------------------------------|--|
| Product - WxHxD (mm/in) | 686 x 1098 x 765 / 27 x 43.2 x 30.1 |
| Width Door Opening (mm/in) | 1339/52.7 |
| Carton - WxHxD (mm/in) | 776x1174x905/ 30.5x46.5x31.7 |
| Weight - product/carton (kg/lb) | 136/146 300/322 |



We reserve the right to alter specifications without notice.



Electrolux
PROFESSIONAL