

INSTRUCTION MANUAL

EW5015

WDV15 15L Wet And Dry Vacuum Cleaner

Ewbank has a British heritage to be proud of. It's a household favourite and much loved brand that has been providing innovative cleaning solutions for over 135 years.



CONTENTS

Safety Instructions.....	3 - 5
Appliance Overview	6
Using Your Vacuum Cleaner	7 - 9
Cleaning & Maintenance	10 - 12
Troubleshooting	13
Mains Plug Fuse Replacement.....	14
Disposal of the Appliance	14
Warranty Terms & Conditions	15

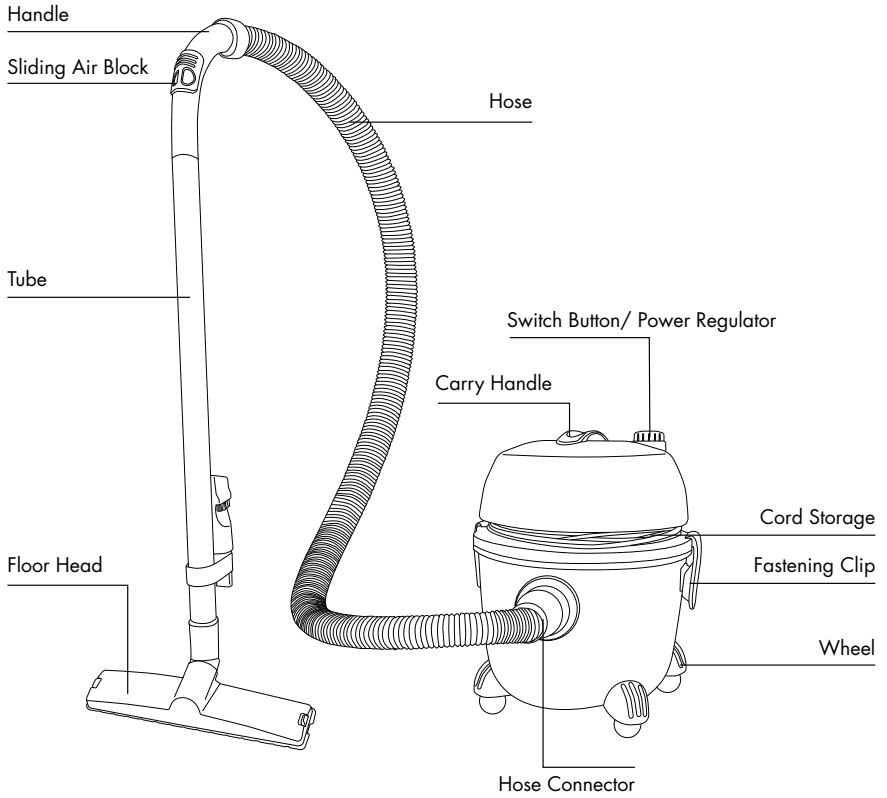
PLEASE READ ALL THE INSTRUCTIONS BEFORE USE AND WHEN USING THE APPLIANCE, THE FOLLOWING PRECAUTIONS MUST BE TAKEN:

WARNING! TO REDUCE THE RISK OF FIRE, ELECTRIC SHOCK, OR INJURY:

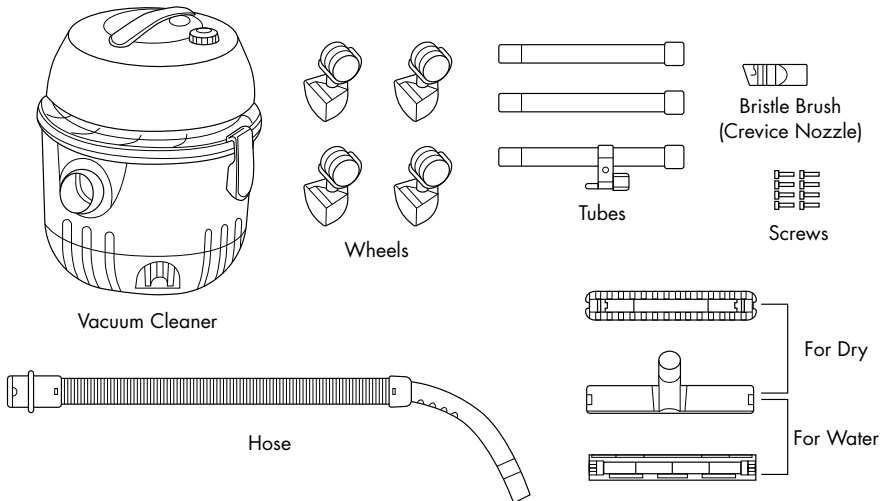
1. Do not leave the vacuum cleaner plugged in when not in use. Unplug from the socket before servicing.
2. Only use as described in this manual, including attachments. Attachments used should only be that of the manufacturers.
3. Do not use when the cord or plug are damaged. If the vacuum cleaner is not working as it should be or has been dropped, damaged, left outdoors, or fallen into water, the vacuum cleaner must be serviced by an engineer.
4. Do not pull or carry by the cord, use the cord as a handle, trap the cord, or pull the cord around sharp edges and corners. Do not run the vacuum cleaner over the cord and keep the cord away from heated surfaces.
5. Do not unplug the vacuum cleaner by pulling on the cord. To unplug, grasp the plug.
6. Do not handle the plug or the vacuum cleaner with wet hands.
7. Do not actively put any objects into any of the vacuum cleaners openings. Do not use with any of the opening blocked. Keep free of dust, lint, hair and anything that may reduce airflow.
8. Keep hair, loose clothing, fingers and all parts of the body away from any openings and/or moving parts.
9. Turn all controls off before unplugging.
10. Take extra care when cleaning on stairs.
11. Do not use to pick up flammable or combustible liquids

- such as gasoline. Do not use in areas where this may be present.
12. Unplug before connecting the hose.
 13. Do not pick anything up that is burning or smoking such as cigarettes, matches or hot ashes.
 14. Do not use without correct filter in place.
 15. If the cord is damaged, it must be replaced by the manufacturer, or a service engineer.
 16. This appliance is not intended for use by persons (including children) with reduced physical, sensory or mental capabilities, or lack of experience and knowledge. Only when they have been given supervision or instruction to use the appliance by a person responsible for their safety, can they then use it.
 17. Children should be supervised to ensure that they do not play with the appliance.
 18. The mains power supply should comply with the information on the appliance's rating plate.
 19. Do not use or store the vacuum cleaner in humid environments.
 20. Do not use with an extension cable.
 21. Never dismantle any part of the appliance.
 22. When cleaning on stairs, ensure the vacuum cleaner is located below the user. Keep on the floor when possible.
 23. When retaining the packaging, store out of the reach of children.
 24. Do not store outdoors. Store out of the way with the power cord neatly wrapped up, to prevent accidents.
 25. When vacuum cleaning static electricity may be created. To prevent shocks, do not access any parts with your hand until the area is clear.
 26. Check the recommended cleaning instructions of your flooring before vacuum cleaning.
 27. Do not use the vacuum cleaner to vacuum powders such

- as flour and cement. It can damage, block or break the motor.
28. Do not use or store the vacuum cleaner in excessively high or low temperatures, outside of 0-40°C. Avoid the vacuum cleaner being in direct sunshine for a long period.
 29. If the vacuum cleaner is broken do not disassemble it. This must be done by a qualified technician.
 30. This appliance is for household, hotel and similar place only.
 31. Do not use around explosive dust, liquids, vapors or any electrical devices that can produce sparks, which can cause fire, or explosion.
 32. Do not use at filling stations or anywhere gasoline is stored or dispensed.
 33. Do not vacuum toxic or carcinogenic dust or materials or other health endangering materials such as asbestos lead and pesticides.
 34. Keep the appliance away from oven stoves or other heat sources.
 35. Check before operation that the local power supply is the same as the specification on the rating label.
 36. Do not stand on or flatten the hose. Do not use if the hose is broken
 37. If there is foam or liquid coming out of machine when picking up water, please turn off the appliance immediately.
 38. This model is NOT designed to be used for vacuuming large amounts of water. If used to vacuum large amounts of water, it can lead to damage being caused to the product and/or property.

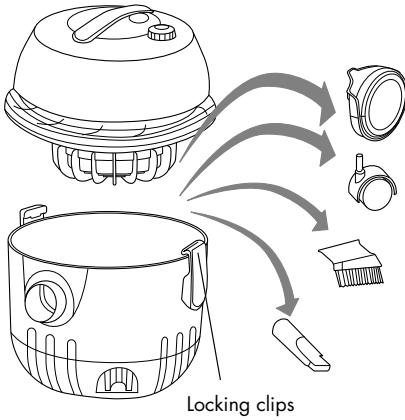


ACCESSORIES



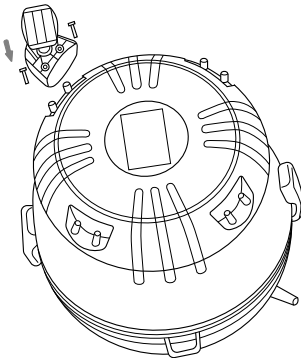
USING THE VACUUM CLEANER

1



Release the fastening clips to open the housing, then take out wheels and accessories.

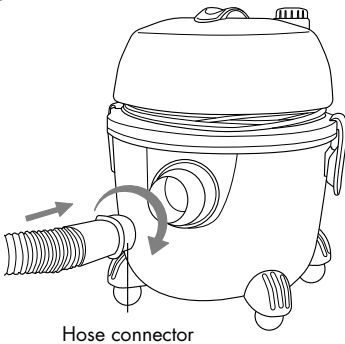
2



Take lid off and turn upside down. Install castor wheels into the corresponding hole on the base.

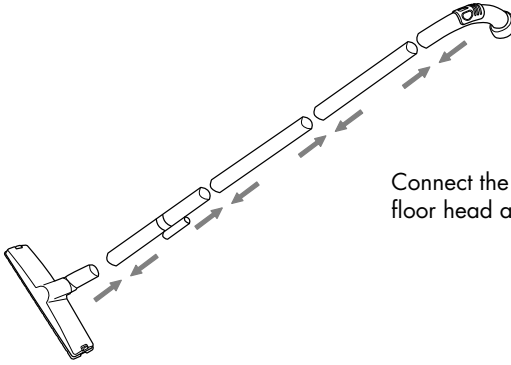
When replacing lid ensure the lid and drum align correctly and fasten clips.

3



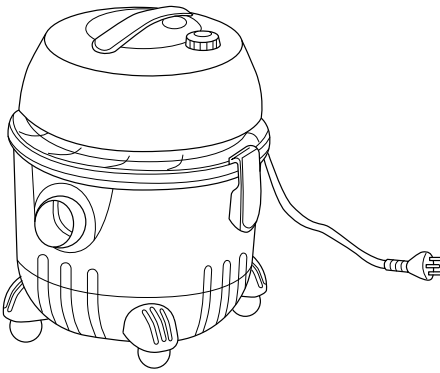
Insert the hose connector into the hose socket at the front of the vacuum container. Align connecting knots top and bottom. Once inserted turn clockwise to lock.

4



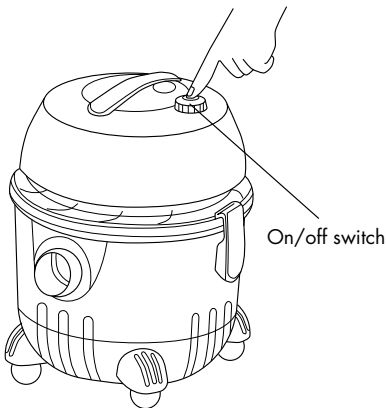
Connect the hose handle, metal tubes and floor head as shown.

5



Hold the plug and insert into the wall socket

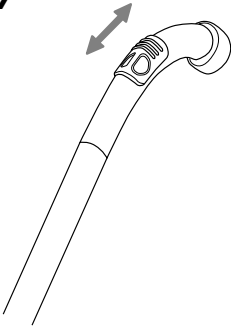
6



On/off switch

1. Press the switch button/power regulator to turn on/off the cleaner.
2. Turning the power/regulation button will increase and decrease the power of suction. Anti clockwise will decrease power and clockwise increase power.

7



You can adjust the airflow by pushing the sliding block on the tube handle up and down.

Minimal suction power (switch fully open): curtains and fine materials.

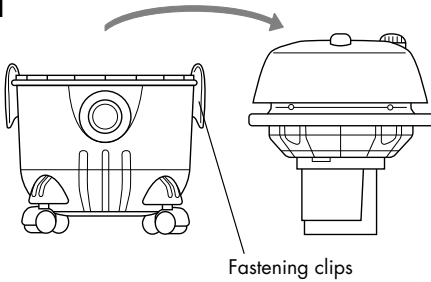
Medium suction power (switch closed): cushions and mattresses. Maximum suction power (switch closed): tiled, wooden and robust floor that has been heavily soiled.

IMPORTANT NOTE: When picking up water more than a spill/splash, keep the sliding air block closed. This will prevent aerated water getting inside the filter which then does not support and lift the float for auto shut off.

EMPTYING THE DUST BARREL

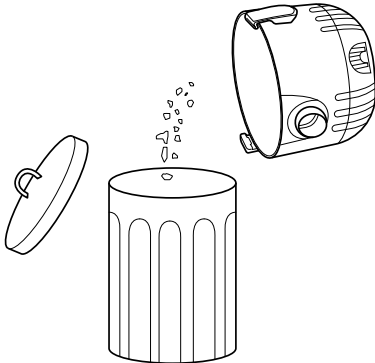
Note: If the vacuum container is full, empty it as soon as possible

1



Release the fastening clips to open the housing.

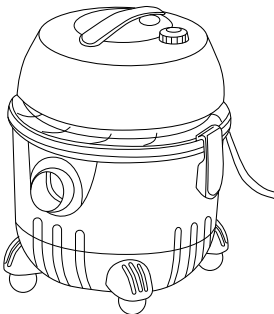
2



Empty the dry or solid content of the vacuum container into a waste bin. Empty liquid content down a drain.

Note: wherever possible always empty the vacuum container into a waste disposal bin outside to avoid any re-emission of dust, debris and allergens inside.

3



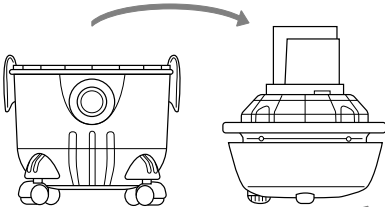
Replace the upper housing and fasten the clips.

IMPORTANT NOTE: In the event of a major blockage or that the dust container is too full, the vacuum cleaner will automatically stop working to avoid over-heating. This will prolong the life of motor.

CLEANING THE HEPA FILTER

Warning: When the filter is obviously covered with dust or the suction decreases considerably, please clean promptly, as this will improve the working efficiency and extend the life of the cleaner. **NEVER** use the machine without filters.

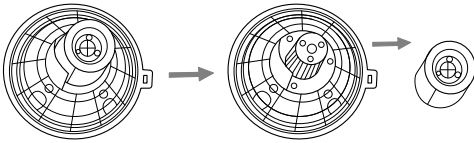
1



Turn off at main plug/switch.

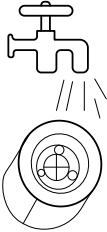
Remove the top and rest upside down.

2



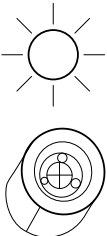
Remove the filter by turning anti clock wise as pictured on the lock.

3



Carefully rinse the HEPA filter with cold water. Then use a damp cloth to remove any stubborn dirt on the inside of the dust barrel

4



Once the HEPA filter and dust barrel have been carefully cleaned, ensure each part is left to dry fully (usually in direct sunlight for 24hours) before reinstalling.

IMPORTANT: This model is **NOT** designed to be used for vacuuming large amounts of water. If used to vacuum large amounts of water, it can lead to damage being caused to the product and/or property. Please note use sponge filter for something larger than a spill/splash. Ensure filter is fully dry before use. **NEVER** use appliance without the filters.

SWITCHING FROM HEPA TO SPONGE FILTER



If you experience difficulties with the appliance, please check the suggestions below before contacting customer services on 01473 271 272:

PROBLEM	POSSIBLE CAUSES	SOLUTIONS/TIPS
The suction is poor.	The airflow adjustment switch is open.	Close the airflow adjustment switch.
	An object is blocked.	Check the hose, the handle and the floor head or attachment for blockages.
	Filters are not fitted properly or are blocked.	Clean or replace the filter.
Device does not work.	The appliance is not properly plugged into the socket.	Check that the plug has been inserted properly.



Danger!

Never try to repair a defective appliance yourself. You can put yourself and/or future users in danger. Repairs must only be done by a service engineer.

Fuse Replacement (Class II)

Remove the fuse cover with a small flat head screw driver. Take out the fuse and replace with a new fuse of the same Amp. Replace the fuse cover and push back into place.



Disposal Information

The European Directive 2012/19/EU on Waste Electrical and Electronic Equipment (WEEE), requires that old household electrical appliances must not be disposed of in normal unsorted municipal waste.

Old appliances must be collected separately in order to optimise the recovery and recycling of the materials they contain and reduce the impact on human health and the environment.

The crossed out "wheeled bin" symbol on the product reminds you of your obligation, that when you dispose of the appliance it must be separately collected. Consumers should contact their local authority or retailer for information concerning the correct disposal of their old appliance.



Ewbank Warranty Terms & Conditions

This product is guaranteed for a period of 24 months as standard from the date of purchase against mechanical and electrical defects.

To qualify for the warranty, the product must be used for domestic household use only and in accordance with the instructions in the user manual. Any misuse of the product will result in the warranty being void.

The warranty does not cover accidental damage, misuse, neglect, tampering or incorrect adjustment or installation.

The warranty will be rendered invalid if the product is resold, has had its serial number removed (or has an invalid serial number), or if an unauthorised person has carried out any repairs or alterations.

The warranty does not cover accessories or consumable parts that require replacement under normal use. This includes shelving, dials, filters, belts and trays etc.

In the unlikely event of a breakdown please refer to the Troubleshooting guide in your user manual and check all plugs, fuses and the electricity supply.

If you still require assistance please contact our Customer Service department on **01473 271 272** or write to us at the following address:

**Customer Service Department
Ewbank, 38 Bluestem Road,
Ipswich, Suffolk, IP3 9RR**

Please quote the Product Code and the PO Number on the front of the instruction manual and give details of the exact fault. We will then decide whether to repair or replace the item.

Before we arrange the repair or replacement you will be required to return a copy of your proof of purchase. Please retain your original.

If an item is replaced within the agreed warranty period, the warranty for the replacement item will be calculated from the purchase date of the original.

In the event that the product is inspected and no fault is found or the product is not within the warranty period you will be charged for the repair and any carriage costs.

Ewbank[®] commercial

Your Guarantee

This product is covered by a 2 year guarantee.

This does not cover normal wear and tear or abuse.

For guarantee purposes, please retain your original receipt as proof of purchase.

This guarantee does not affect your statutory rights.

For spares, service and further information please contact;

Ewbank, 38 Bluestem Road, Ipswich, Suffolk, IP3 9RR

EU: Castle Electrical Factors Ltd., Dundalk, A91 KA9R, IR

Tel: 01473 271 272

Disclaimer: Ewbank operate a policy of continual improvement and development.

We therefore reserve the right to change/alter the specification and appearance of our appliances without prior notice.

All diagrams and images shown in this manual are for illustration purposes only.