



## F58/902 - IMC SP12H Floor-mounted Potato Peeler - 1 Phase - H 1400 mm - 0.37 kW

The efficient, upright IMC Potato Peeler ensures short preparation times which in turn reduces costly wage bills and makes for better staff utilisation.

- ✓ Upright design - ideal for medium and large scale operations
- ✓ Perfect height to empty into a sink
- ✓ Hygienic and easy to clean
- ✓ WRAS approved Class A air-break and brass spray nozzle prevents any back siphonage of water into the mains supply
- ✓ Reversible corrosion-proof liners
- ✓ Dual position for waste outlet
- ✓ 2 minutes to peel a batch of 12 kilos of potatoes
- ✓ Single phase

### Specifications

| Summary                     |                                   | Power and Performance |      |
|-----------------------------|-----------------------------------|-----------------------|------|
| <b>Brand</b>                | IMC                               | <b>Total Power kW</b> | 0.37 |
| <b>Range</b>                | SP Peeler                         | <b>HP</b>             | 0.5  |
| <b>Power Type</b>           | Electric                          | <b>IP Rating</b>      | IP55 |
| <b>Unit Type</b>            | Floor-mounted                     |                       |      |
| <b>Available in UK Only</b> | No                                |                       |      |
| <b>UK Warranty</b>          | 2 Years Parts and Labour Warranty |                       |      |
| <b>Export Warranty</b>      | Contact your local dealer         |                       |      |
| <b>Mounting</b>             | Floor-mounted                     |                       |      |
| <b>GTIN</b>                 | 5056105198796                     |                       |      |

| Key Specifications     |                | Capacity                    |     |
|------------------------|----------------|-----------------------------|-----|
| <b>Operator Safety</b> | User Guide     | <b>Capacity Kg per Hour</b> | 220 |
| <b>Timer</b>           | Yes            |                             |     |
| <b>Drain Location</b>  | Right or left  |                             |     |
| <b>WRAS Approved</b>   | WRAS Compliant |                             |     |
| <b>Airbreak</b>        | Yes            |                             |     |

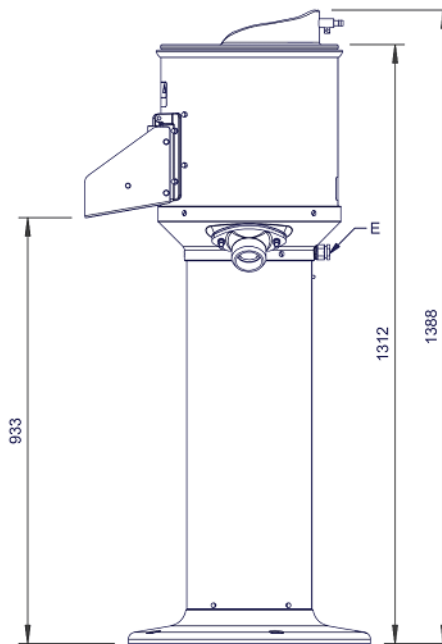
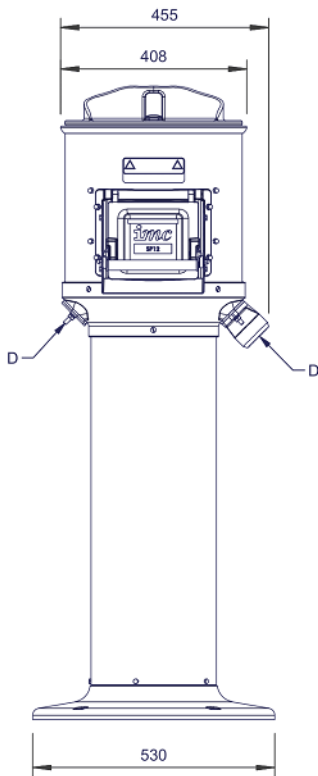
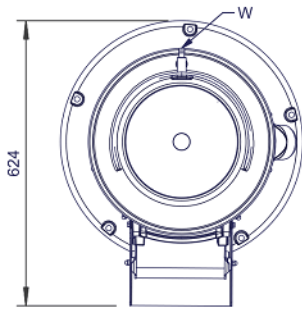
| Weights and Dimensions           |      | Supply Connections                   |                     |
|----------------------------------|------|--------------------------------------|---------------------|
| <b>Unit Height (External) mm</b> | 1388 | <b>Requires Installation</b>         | Yes                 |
| <b>Unit Width (External) mm</b>  | 530  | <b>Requires Electrical Supply</b>    | Yes                 |
| <b>Unit Depth (External) mm</b>  | 624  | <b>UK 3 Pin Plug</b>                 | Yes                 |
| <b>Net Weight Kg</b>             | 50.5 | <b>Requires Hardwiring</b>           | No                  |
|                                  |      | <b>Motor Rating Watts</b>            | 370                 |
|                                  |      | <b>Single Phase Amps</b>             | 6.2                 |
|                                  |      | <b>Single Phase Voltage</b>          | 230                 |
|                                  |      | <b>Water Connection Pressure Bar</b> | 2.7-3.8 [40-55 psi] |
|                                  |      | <b>Drain Connection</b>              | 54mm                |
|                                  |      | <b>Water Connection</b>              | 12mm                |

| Shipping                |      |
|-------------------------|------|
| <b>Packed Weight Kg</b> | 60.5 |
| <b>Packed Height cm</b> | 148  |
| <b>Packed Width cm</b>  | 68   |
| <b>Packed Depth cm</b>  | 57   |

**Available Accessories**

- A29/003** Lid Retaining Strap for SP/VQ Potato Peeler
- S58/568** Filter Basket - Integral - for SP Potato Peeler
- S58/569** Interceptor Tank - for SP Potato Peeler [pedestal mounted/2" BSP]
- S58/570** Waste Ejector for SP Potato Peeler [2" BSP]

**Technical Picture**





**Lincat Limited**

Whisby Road,  
Lincoln, LN6 3QZ,  
United Kingdom

**Company No:** 2175448

A member company of



**Customer Care**

**Tel:** +44 1522 875500  
**Email:** care@lincat.co.uk

**Export Customers**

**Tel:** +44 1522 875536  
**Email:** export@lincat.co.uk

**Opening Hours**

**Monday – Friday:**  
8.30am – 5pm