

DOMINATOR *PLUS* **E3625 & E3925, ELECTRIC** **CHARGRILL**



INSTALLATION AND **SERVICING INSTRUCTIONS**

CAUTION - READ THESE INSTRUCTIONS BEFORE INSTALLING, COMMISSIONING OR USING THIS APPLIANCE!

The installer must ensure that the installation of the appliance is in conformity with these instructions and National Regulations in force at the time of installation. Particular attention **MUST** be paid to:

BS7671 IEE Wiring Regulations
Electricity at Work Regulations
Health And Safety At Work Act
Fire Precautions Act

This appliance has been CE-marked on the basis of compliance with the Low Voltage and EMC Directives for the voltages stated on the data plate.

WARNING: THIS APPLIANCE MUST BE EARTHED.

On completion of the installation, these instructions should be left with the Engineer-in-Charge for reference during servicing. Further to this, The Users Instructions should be handed over to the User, having had a demonstration of the operation and cleaning of the appliance.

IT IS MOST IMPORTANT THAT THESE INSTRUCTIONS BE CONSULTED BEFORE INSTALLING AND COMMISSIONING THIS APPLIANCE. FAILURE TO COMPLY WITH THE SPECIFIED PROCEDURES MAY RESULT IN DAMAGE OR THE NEED FOR A SERVICE CALL.

Upon receipt of the instruction manual, the installer must notify the responsible person(s) with regard to correct operation and maintenance of the unit. This equipment is ONLY INTENDED FOR PROFESSIONAL USE and to be operated by QUALIFIED PERSONS.

It is the responsibility of the Supervisor or equivalent to ensure that any user wears SUITABLE PROTECTIVE CLOTHING. Attention should also be drawn to the fact that some parts of the unit will, by necessity, become VERY HOT to the extent that burning could occur if these are touched accidentally.

PREVENTATIVE MAINTENANCE CONTRACT

In order to obtain maximum performance from this unit we would recommend that a maintenance contract be arranged with **SERVICELINE**. Visits may then be made at agreed intervals to carry out adjustments and repairs. A quotation will be given upon request to the contact numbers below.



WEEE Directive Registration No. WEE/DC0059TT/PRO

At end of unit life, dispose of appliance and any replacement parts in a safe manner, via a licensed waste handler.

Units are designed to be dismantled easily and recycling of all material is encouraged whenever practicable.

Falcon Foodservice Equipment

HEAD OFFICE AND WORKS

Wallace View, Hillfoots Road, Stirling, FK9 5PY, Scotland.

SERVICELINE CONTACT

Phone: 01438 363 000

Fax: 01438 369 900

T100982 Ref. 4

IMPORTANT INFORMATION

Warranty Policy Shortlist

Warranty does not cover :-

- Correcting faults caused by incorrect installation of a product.
- Where an engineer cannot gain access to a site or a product.
- Repeat commission visits.
- Replacement of any parts where damage has been caused by misuse.
- Engineer waiting time will be chargeable.
- Routine maintenance and cleaning.
- Gas conversions i.e. Natural to Propane gas.
- Descaling of water products and cleaning of water sensors where softeners/ conditioners are not fitted, or are fitted and not maintained.
- Blocked drains
- Independent steam generation systems.
- Gas, water and electrical supply external to unit.
- Light bulbs
- Re-installing vacuum in kettle jackets.
- Replacement of grill burner ceramics when damage has been clearly caused by misuse.
- Where an engineer finds no fault with a product that has been reported faulty.
- Re-setting or adjustment of thermostats when unit is operating to specification.
- Cleaning and unblocking of fryer filter systems due to customer misuse.
- Lubrication and adjustment of door catches.
- Cleaning and Maintenance:
 - Cleaning of burner jets
 - Poor combustion caused by lack of cleaning
 - Lubrication of moving parts
 - Lubrication of gas cocks
 - Cleaning/adjustment of pilots
 - Correction of gas pressure to appliance.
 - Renewing of electric cable ends.
 - Replacement of fuses
 - Corrosion caused by use of chemical cleaners.

Electrical Safety and Advice Regarding Supplementary Electrical Protection

Commercial kitchens and foodservice areas are environments where electrical appliances may be located close to liquids, or operate in and around damp conditions, or where restricted movement for installation and service is evident.

The installation and periodic inspection of the appliance should only be undertaken by a qualified, skilled and competent electrician; and connected to the correct power supply suitable for load as stipulated by the appliance data label.

The electrical installation and connections should meet the necessary requirements to local electrical wiring regulations and electrical safety guidelines.

We recommend:-

- Supplementary electrical protection with use of a residual current device (RCD).
- Fixed wiring appliances incorporate a locally situated switch disconnecter to connect to, which is easily accessible for switching off and safe isolation purposes. The switch disconnecter must meet the specification requirements of IEC 60947.

SECTION 1 – INSTALLATION



UNLESS OTHERWISE STATED, PARTS WHICH HAVE BEEN PROTECTED BY THE MANUFACTURER ARE NOT TO BE ADJUSTED BY THE INSTALLER.

1.1 MODEL NUMBERS, NET WEIGHTS AND DIMENSIONS

Model	Width (mm)	Depth (mm)	Height	Weight (kg)
E3625	600	785	526	56.5
E3925	900	785	526	75.5

1.2 SITING

The appliance should be installed on a level, fireproof surface, in a well lit and draught free position.

If floor is constructed of combustible material, local fire requirements should be checked to ensure compliance. If siting against a wall, it must be of a non combustible material.

If this is not possible these surfaces should be clad in a suitable non-combustible, heat-insulating material. Close attention be paid to fire regulations.

1.3 ELECTRICAL SUPPLY

The units are suitable for AC supplies only. Both models are for use on three phase supplies.



WARNING - THIS APPLIANCE MUST BE EARTHED

1.4 SUPPLY CONNECTION

A suitable mains input cable should be fitted that conforms to code designation 60245 IEC 57, cable type H07RN-F.

A suitably rated isolating switch with contact separation of at least 3mm in all poles must be installed and wiring executed in accordance with relevant regulations. We recommend supplementary electrical protection with the use of a residual current device (RCD).

Access to mains terminal block is gained by removing control panel.

1.5 ELECTRICAL RATINGS

Electrical loading is as stated in table below and also on appliance data plate.

The location of mains isolating switch should be identified for use in any event of an emergency or during cleaning.

1.5.1 E3625

Connection	Amps (A)
L1	11
L2	15
L3	11

1.5.2 E3925

Connection	Amps (A)
L1	15
L2	22
L3	22

SECTION 2 - ASSEMBLY AND COMMISSIONING

Note

The following information should be read as applicable to the unit being assembled.

2.1 ASSEMBLY

- a) Position unit. Level it using foot adjusters. To mount unit upon a purpose built stand, refer to details supplied with stand.
- b) Unit is supplied with terminals for connection to a suitable mains supply. All wiring must be in accordance with local regulations.
- c) To gain access to terminals, remove control panel and proceed as follows:
- d) Undo and remove upper fixings.
- e) Undo fixings below control panel. Remove panel carefully and set aside.
- f) Terminals are now accessible and supply cables can be fed through rear of unit.
- g) After connecting mains supply, replace control panel.

2.2 CONNECTION TO AN ELECTRICAL SUPPLY

Connect as detailed in Sections 1.3 and 1.4.

2.3 STARTING UP

Switch on mains supply, red neon will light. Turn control knob(s) to desired setting.

2.4 INSTRUCTION TO USER

After installation and commissioning is completed, please hand User Instructions to user.

Ensure that person(s) responsible understand correct operation and cleaning of appliance.

SECTION 3 - SERVICING AND MAINTENANCE



BEFORE ATTEMPTING ANY MAINTENANCE, ISOLATE APPLIANCE AT MAIN SWITCH AND TAKE STEPS TO ENSURE THAT IT IS NOT INADVERTENTLY SWITCHED ON.

3.1 CONTROL PANEL - To Remove

- a) To gain access to terminals, remove control panel and proceed as follows:
- b) Undo and remove upper fixings.
- c) Undo fixings below control panel. Remove panel carefully and set aside.

3.2 ELEMENT – To Replace

- a) Remove control panel as above
- b) Remove element wires from contactor(s).
- c) Remove unit rear panels.
- d) Remove all fixings from underside of hob.
- e) Remove element head end covers.
- f) Lift off element assembly complete.
- g) To refit, follow above instructions in reverse.

3.3 ENERGY REGULATOR

- a) Remove control panel as above.
- b) Remove control knob from spindle.
- c) Remove all electrical connections on regulator and switch.
- d) Remove 2 X screw fixings on front of control panel.
- e) Pull switch free of regulator.
- f)

3.4 ELEMENT ASSEMBLY MICRO SWITCH

- a) Remove rear access panels.
- b) Remove element pivot cover, access to fixings through rear access panels.
- c) Disconnect wiring taking note of connections.
- d) Remove fixing screws for micro switch taking care not to damage insulation card
- e) To refit, follow above instructions in reverse.

3.5 FUSE

- a) Remove control panel.
- b) If fuse requires replacing, ensure it is replaced with a 2A fuse.
- c) To refit, follow above instructions in reverse.

3.6 INDICATOR LAMP

- a) Remove control panel.
- b) Remove lamp connections.
- c) Remove nut at rear of lamp.

SECTION 4 - SPARES AND ACCESSORIES

When ordering spare parts, always quote appliance type and serial number.

This information will be found on data plate.

Short list of spares

Element

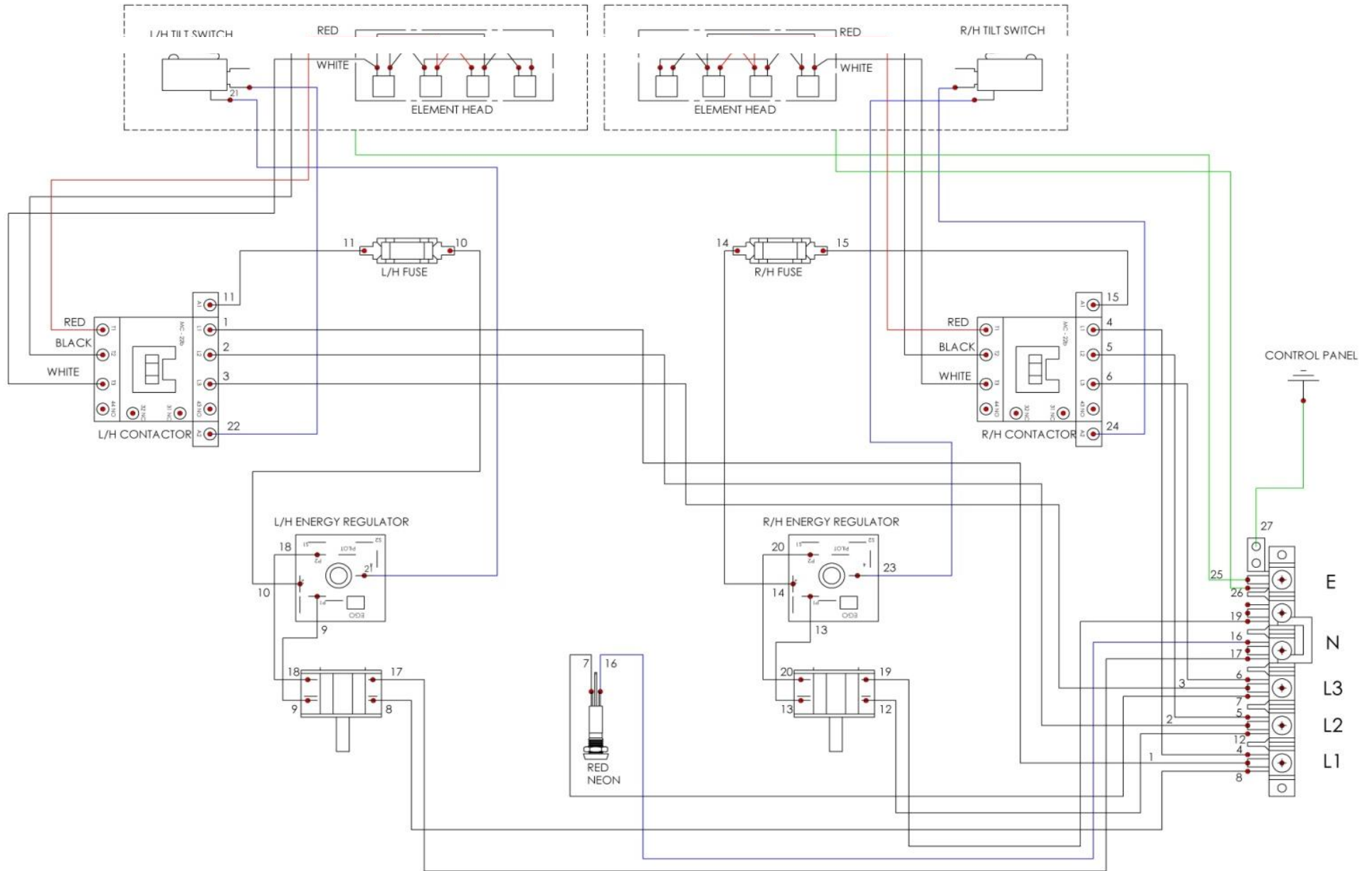
Energy regulator

Indicator lamp

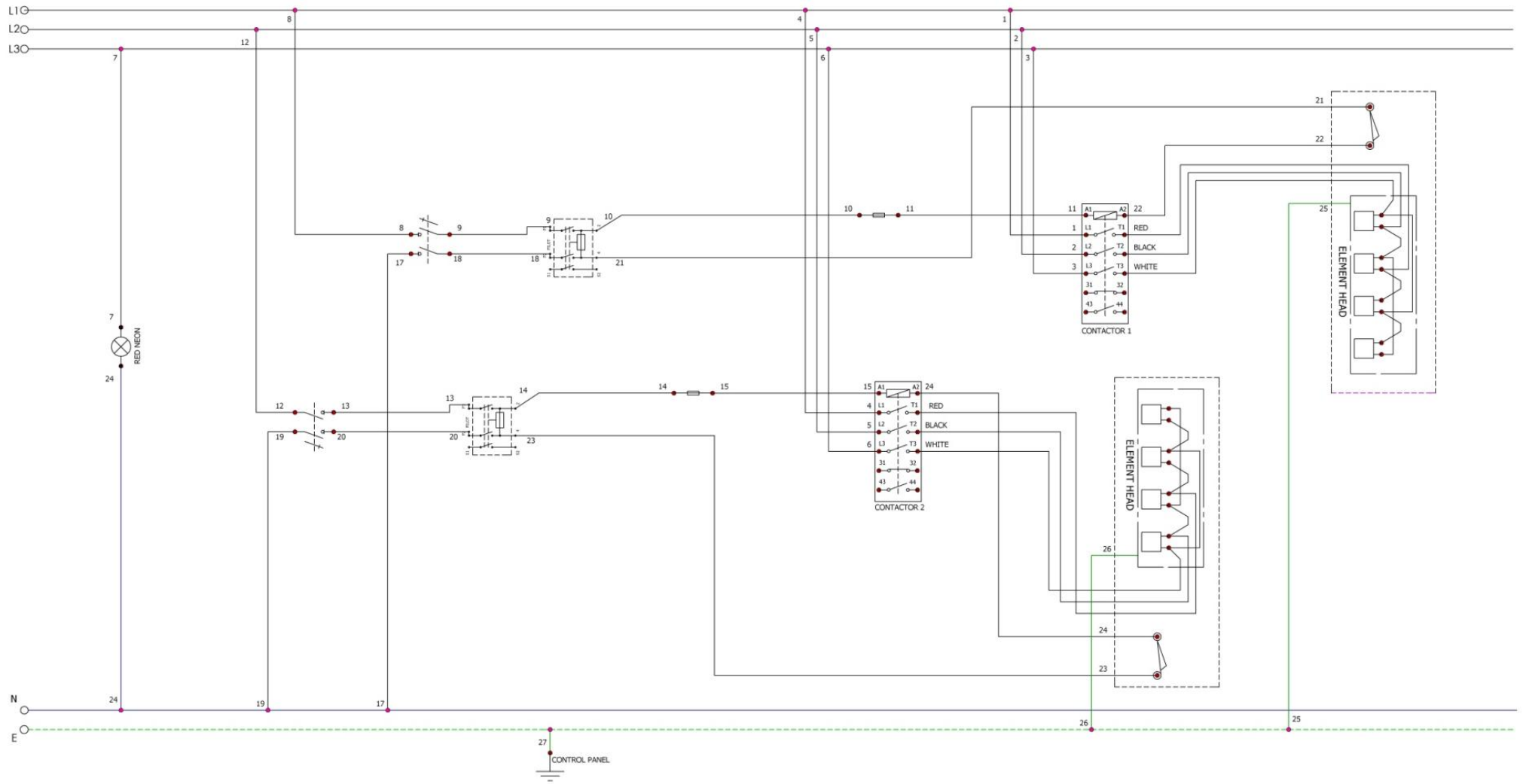
Control knob

Contactors

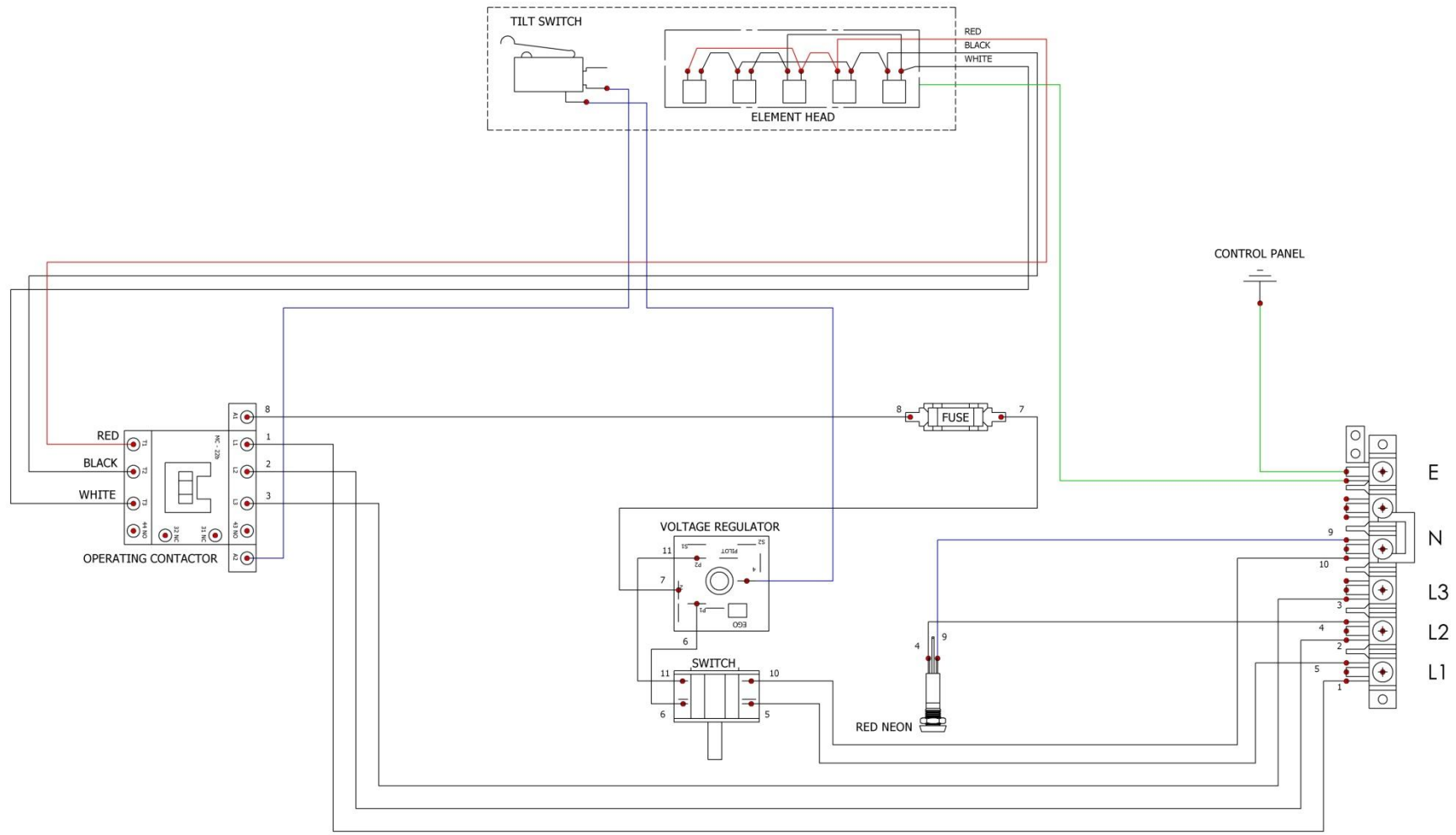
E3925 WIRING DIAGRAM 400V 3N~



E3925 CIRCUIT DIAGRAM 400V 3N~



E3625 WIRING DIAGRAM 400V 3N~



E3625 CIRCUIT DIAGRAM 400V 3N~

