



## GR7/P - Lincat Silverlink 600 Propane Gas Counter-top Salamander Grill - W 750 mm - 6.8 kW

The Silverlink 600 Gas Salamander Grill boasts even heat distribution for maximum output, meaning that producing perfectly grilled meat, fish, and toast has never been as simple or stress-free.

- ✔ Powerful ceramic plaque burners for rapid heat up
- ✔ Cool touch handles for safety
- ✔ 4 shelf positions to give maximum flexibility for all catering operations
- ✔ Enamelled interior and hood for easy cleaning
- ✔ Supplied with a double sided alloy branding plate and fat collection tray
- ✔ Flame failure device for maximum safety

### Specifications

Summary		Power and Performance	
<b>Brand</b>	Lincat	<b>BTU per Hour</b>	23,202
<b>Range</b>	Silverlink 600	<b>Total Power kW</b>	6.8
<b>Power Type</b>	Gas	<b>Cooking Area (Width x Depth) mm</b>	580 x 275
<b>Gas Type</b>	Propane Gas	<b>Temperature Control</b>	Mechanical
<b>Unit Type</b>	Counter-top		
<b>Available in UK Only</b>	No		
<b>UK Warranty</b>	2 Years Parts and Labour Warranty		
<b>Export Warranty</b>	Contact your local dealer		
<b>GTIN</b>	5056105104766		

Key Specifications		Capacity	
<b>Number of Shelves included</b>	1	<b>Product Output per Hour</b>	56 x 115g [4oz] burgers [frozen], 42 x 225g [8oz]
<b>Number of Shelf Positions</b>	4		
<b>Number of Heat Zones</b>	1		

Weights and Dimensions		Supply Connections	
<b>Unit Height (External) mm</b>	405	<b>Requires Installation</b>	Yes
<b>Unit Width (External) mm</b>	750	<b>Gas Connection BSP</b>	1/2"
<b>Unit Depth (External) mm</b>	423	<b>Gas Consumption at full rate Propane m³ per Hour</b>	0.44
<b>Shelf Dimensions Width mm</b>	580	<b>Gas Pressure Propane mbar</b>	37
<b>Shelf Dimensions Depth mm</b>	275	<b>Total heat input at full rate Propane kW</b>	6.8
<b>Net Weight Kg</b>	34.7	<b>Total heat input at full rate Propane BTU per hour</b>	22,200

Shipping	
<b>Packed Weight Kg</b>	38.17
<b>Packed Height cm</b>	49.5
<b>Packed Width cm</b>	85.5
<b>Packed Depth cm</b>	70

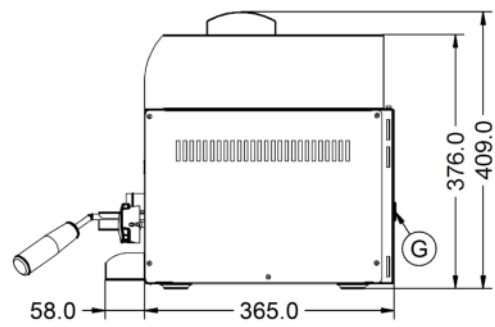
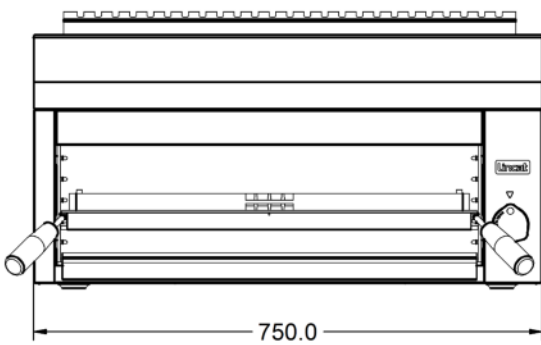
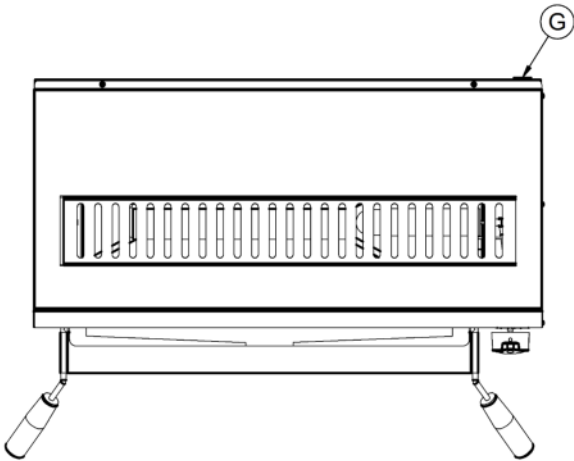
### Available Accessories

<b>BR39</b>	BRANDER GR7
<b>CH01</b>	Caterflex Hose 1/2" - 1 Metre - for use with units up to 66,000 BTU
<b>CH02</b>	Caterflex Hose 1/2" - 1.5 Metre - for use with units up to 56,000 BTU

**Available Accessories**

- GR7/BS**                                      BENCH STAND FOR GR7
- GR7/FS**                                      FLOOR STAND FOR GR7
- GR7/WS**                                      WALL SHELF FOR GR7

**Technical Picture**





**Lincat Limited**

Whisby Road,  
Lincoln, LN6 3QZ,  
United Kingdom

**Company No:** 2175448

A member company of



**Customer Care**

**Tel:** +44 1522 875500  
**Email:** care@lincat.co.uk

**Export Customers**

**Tel:** +44 1522 875536  
**Email:** export@lincat.co.uk

**Opening Hours**

**Monday – Friday:**  
8.30am – 5pm