



GS4/N - Lincat Silverlink 600 Natural Gas Counter-top Griddle - Steel Plate - W 450 mm - 5.4 kW

Whether you're cooking eggs, bacon, burgers or vegetables, the versatile Silverlink 600 Gas Griddle won't let you down.

- ✓ 12 mm v machined steel plate providing even heat distribution and an easy to clean surface
- ✓ Front mounted control for easy of use during cooking
- ✓ Thermostatically controlled to give accurate temperatures during the cooking process for consistent results
- ✓ Piezo ignition for easy lighting of the burners
- ✓ The plate is fully welded into the frame to prevent leaks and places where food and carbon can build up
- ✓ Flame failure device for maximum safety

Specifications

Summary		Power and Performance	
Brand	Lincat	BTU per Hour	18,425
Range	Silverlink 600	Total Power kW	5.4
Power Type	Gas	Cooking Area (Width x Depth) mm	412 x 405
Gas Type	Natural Gas	Temperature Control	Mechanical
Unit Type	Counter-top		
Available in UK Only	No		
UK Warranty	2 Years Parts and Labour Warranty		
Export Warranty	Contact your local dealer		
GTIN	5056105104780		

Key Specifications

Number of Heat Zones	2
Grill Plate Surface Type	Smooth
Grill Plate Material	Steel

Weights and Dimensions		Supply Connections	
Unit Height (External) mm	415	Requires Installation	Yes
Unit Width (External) mm	450	Requires Electrical Supply	No
Unit Depth (External) mm	650	Gas Connection BSP	1/2"
Net Weight Kg	35.1	Gas Consumption at full rate Natural m³ per Hour	0.51
		Gas Pressure Natural mbar	16.0
		Total heat input at full rate Natural kW	5.4
		Total heat input at full rate Natural BTU per hour	16,700

Shipping

Packed Weight Kg	38.61
Packed Height cm	63.5
Packed Width cm	70
Packed Depth cm	55

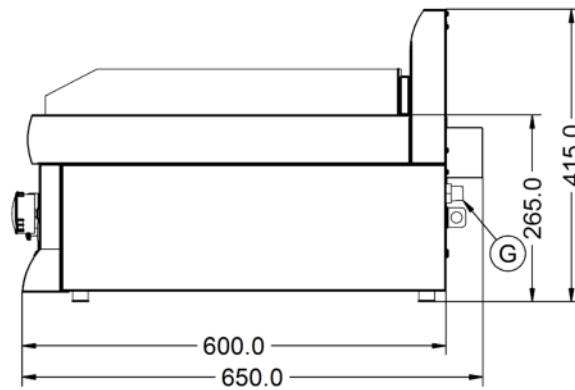
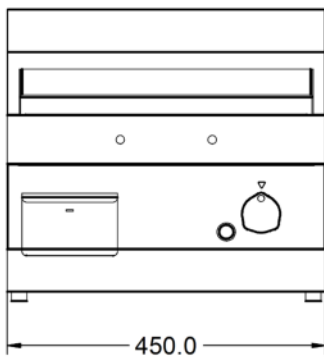
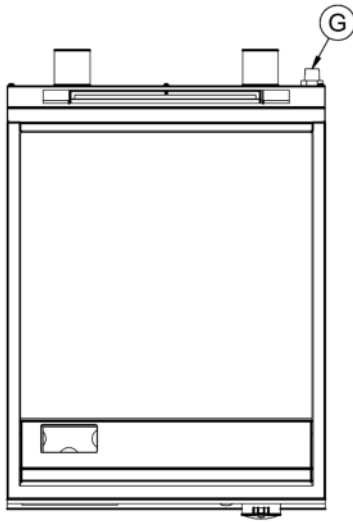
Available Accessories

CH01	Caterflex Hose 1/2" - 1 Metre - for use with units up to 66,000 BTU
CH02	Caterflex Hose 1/2" - 1.5 Metre - for use with units up to 56,000 BTU

Available Accessories

CN4	Lincat Silverlink 600 Free-standing Ambient Open-Top Pedestal without Doors - W 450 mm
SB4	450 GRIDDLE SPLASHB
SLS4	Lincat Silverlink 600 Free-standing Floor Stand - for units W 450 mm

Technical Picture





Lincat Limited

Whisby Road,
Lincoln, LN6 3QZ,
United Kingdom

Company No: 2175448

A member company of



Customer Care

Tel: +44 1522 875500
Email: care@lincat.co.uk

Export Customers

Tel: +44 1522 875536
Email: export@lincat.co.uk

Opening Hours

Monday – Friday:
8.30am – 5pm