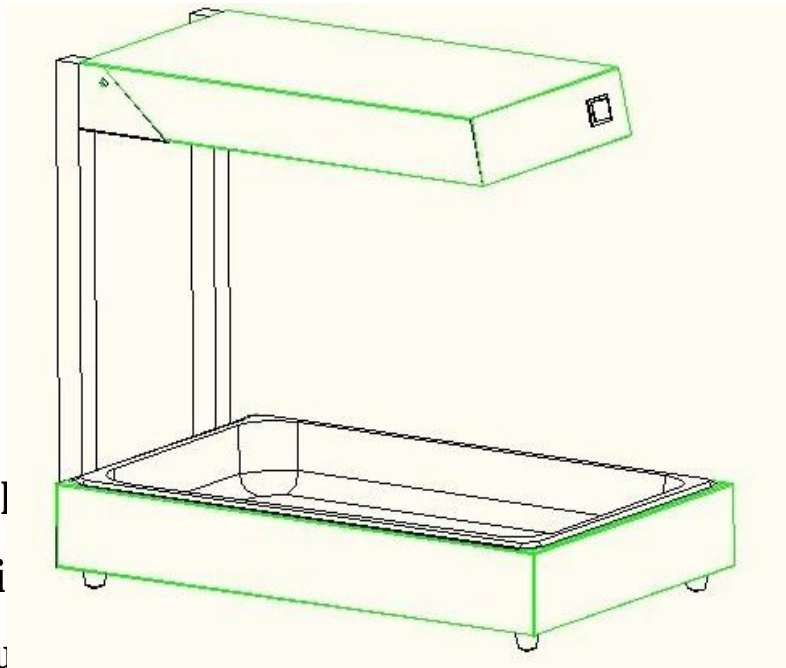


Food Warmer

Instruction manual

Model: H34CS



★All

★Hi

★Du

★Must have someone to supervise when using this product, to cut off the power when leaving

Table of Contents

Section

Page

Introduction3

Technical Specification3

Operating Instruction3

How to use3

Notes4

Circuit Diagram4

I. Introd

INF Serie
 stylish, di



ch is
 ghly

reliable components so that they are energy-saving and safe.

II. Technical Specification:

| Model | Voltage/frequency | Input Power | Dimension | N.W. |
|---------|-------------------|-------------|---------------|------|
| INF-FW1 | 240V/50Hz | 0.3 kW | 340x565x500mm | 6kg |

III. Operating Instruction:

INF Series Food Warmer must be placed on a stable surface.

Always use the food warmer in a well ventilated area.

IV. How to Use:

- a. Place the machine on a safe and sturdy surface
- b. After switching on the power the infrared element will start to heat up.
- c. For safety turn the appliance off when not in use.

V. Note

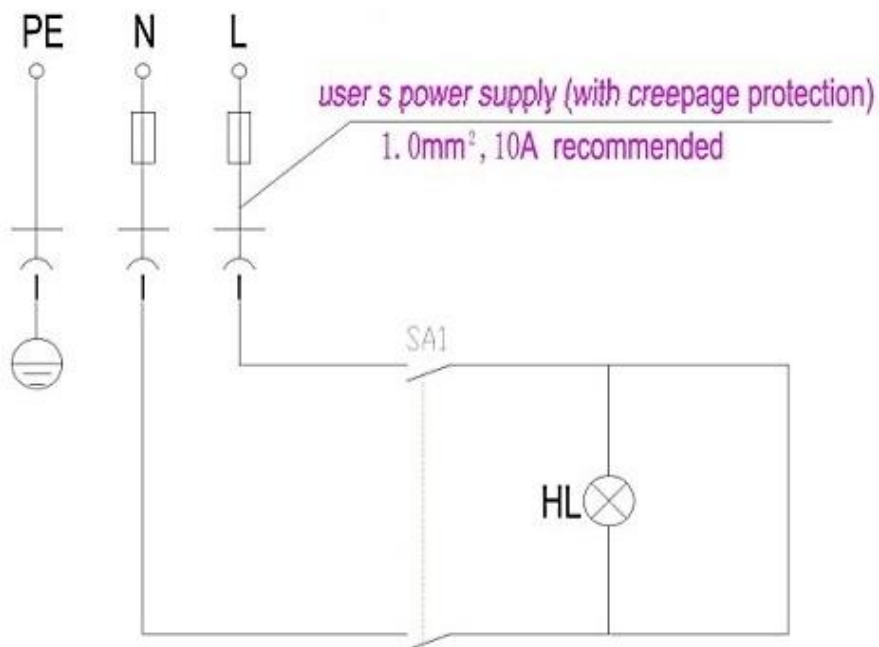
1. Do please not to touch the infrared tube when in use.
2. Always use a professional technician for repairs.
3. Any repairs or maintenance must be carried out after the appliance is switched off.
4. If the appliance breaks down please do not disassemble yourself, contact your supplier for repair.

Packing list

| Name | Quantity | Note |
|--------------------|----------|------|
| Simple Food Warmer | 1 | |
| Instruction book | 1 | |

VI.Circuit Diagram

~240V/50Hz



SA1: ON / OFF Switch

HL: Heating Indication Light