



myPRO

Smart Professional Foldable Steam Ironer

Especially designed for small businesses.

The machine with a Professional heart, on a sensible budget, boasting benefits from a professional design. Maximum productivity while ironing in comfort thanks to special programs and ergonomic design.

Perfect for small operations such as

- Small hotels and bed & breakfast
- Small restaurants
- Hairdressing and beauty salons
- Sports and fitness clubs
- Out-of-home resident services

Benefits and features

► Superb productivity and performance:

- Heated surface 850 mm in length, open on both sides, for easy ironing of large fabrics
- Long lasting steam production thanks to the high capacity water tank (1.9l nominal, 1.4l actual)

► Outstanding flexibility and garment care:

- Meet every need with 5 temperature settings
- 3 steam settings, with continuous or on demand production
- Full control of roller speed with flexible foot pedal

► Trouble-free operation:

- Foldable, perfect even for the most compact laundries
- Casters for easy movement
- Plug-and-play installation
- Easy and fast water tank filling
- Iron while sitting or standing

► High quality construction:

- Professional grade stainless steel work top

Accessories

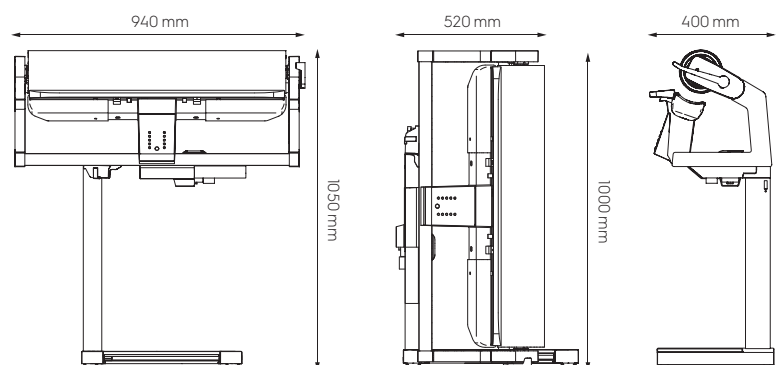
- Water softener cartridge
- Cotton roller cover
- Cotton roller padding

Model IS185

Main specifications at a glance

Roller length, mm	850
Roller diameter, mm	160
Total Power Watts	3300
Frequency, V / Hz	230 / 50
Fuse, A	16
Plug type	Schuko

Dimensions



myPRO Smart Professional Foldable Steam Ironer

Specifications IS185

Performance

Number of temperatures/fabric settings	5
<ul style="list-style-type: none"> - Nylon 70 °C - Silk 100 °C - Wool 130 °C - Cotton 160 °C - Linen 190 °C 	
Adjustable ironing speed, rpm	2,40 - 6,80
Number of steam settings	3
Steam production, l/h	0.9/1.1/1.4
Water reservoir capacity (nominal / actual), l	1.9/1.4
Additional steam features	Continuous or On-Demand Steam Production

Special features

Heated surface material	Special hardened aluminum
Open sides	2
Display	Hi-precision colored LED
Water level sensor	Yes
Water softener cartridge option	Yes
Water hardness/cartridge replace sensor	Yes
Number of casters	4
Excess temperature fuse (steam / chest), °C	216 / 260
Safety release lever	Yes
Stand-by mode	Yes

Dimensions

Height (A), mm	1050
Width (B), mm	940
Depth (C), mm	400
Height, folded (D), mm	1000
Width, folded (E), mm	520
Depth, folded (C), mm	400
Packaging height, mm	1100
Packaging width, mm	650
Packaging depth, mm	520
Weight (with packaging), kg	39 (47)

