



# Installation, Operating and Servicing Instructions

## Electric Pizza Oven PO69X

Please make a note of your product details for  
future use:

Date Purchased: \_\_\_\_\_

Model Number: \_\_\_\_\_

Serial Number: \_\_\_\_\_

Dealer: \_\_\_\_\_

\_\_\_\_\_

# CONTENTS

Important Information	2
Warnings and Precautions	3
Technical Data	3
Checklist of Enclosures	3
Installation and Commissioning	3-4
Operating Instructions	5
Cleaning	5-6
Servicing, Maintenance and Component Replacement	6
Fault Finding	6
Spare Parts List	6
Accessories	6
Service Information and Guarantee	7

## IMPORTANT INFORMATION

---



Read these instructions carefully before using this product, paying particular attention to all sections that carry warning symbols, caution symbols and notices. Ensure that these are understood at all times.

---



### **WARNING!**

This symbol is used whenever there is a risk of personal injury.

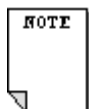
---



### **CAUTION!**

This symbol is used whenever there is a risk of damaging your Lincat product.

---



### **NOTE:**

This symbol is used to provide additional information, hints and tips.

---

**KEEP THIS MANUAL FOR FUTURE REFERENCE**

## WARNINGS AND PRECAUTIONS



This appliance must be installed, commissioned and serviced by a qualified person in accordance with national and local regulations in force in the country of installation.

If the supply cord is damaged, it must be replaced by the manufacturer, its service agent or similarly qualified person.

Ensure that the plug/socket is accessible at all times.

Strip plastic coating and clean the appliance before use.

During operation parts may become hot - avoid accidental contact.

Disconnect this appliance before servicing, maintenance or cleaning.



The thermostat within this appliance contains Potassium-Sodium alloy that reacts with water and can cause burns. Under no circumstances should the capillary/bulb be cut open.

## TECHNICAL DATA

Model	Height (mm)	Width (mm)	Depth (mm)	Weight (kg)
PO69X	320	1010	740	65.0

## CHECK LIST OF ENCLOSURES

Warranty card
Instructions manual
Refractory brick x 2

## INSTALLATION AND COMMISSIONING

This appliance must be earthed.



An equipotential bonding terminal is provided to allow cross bonding with other equipment.

If replacing the plug connect the terminals as follows:

Green and Yellow wire	Earth	E
Blue wire	Neutral	N
Brown wire	Live	L

Supply cords shall be oil resistant, sheathed flexible cable not lighter than ordinary polychloroprene or equivalent elastomer sheathed cord (code 60245 IEC 57)

Install this appliance on a level surface ensuring all vents are unobstructed. Any partitions, walls or furniture must be of non-combustible material. Minimum distances see Fig 1 – A 100mm B 1000mm. Leave a gap of 25mm below the base of the appliance and the surface upon which it is installed.

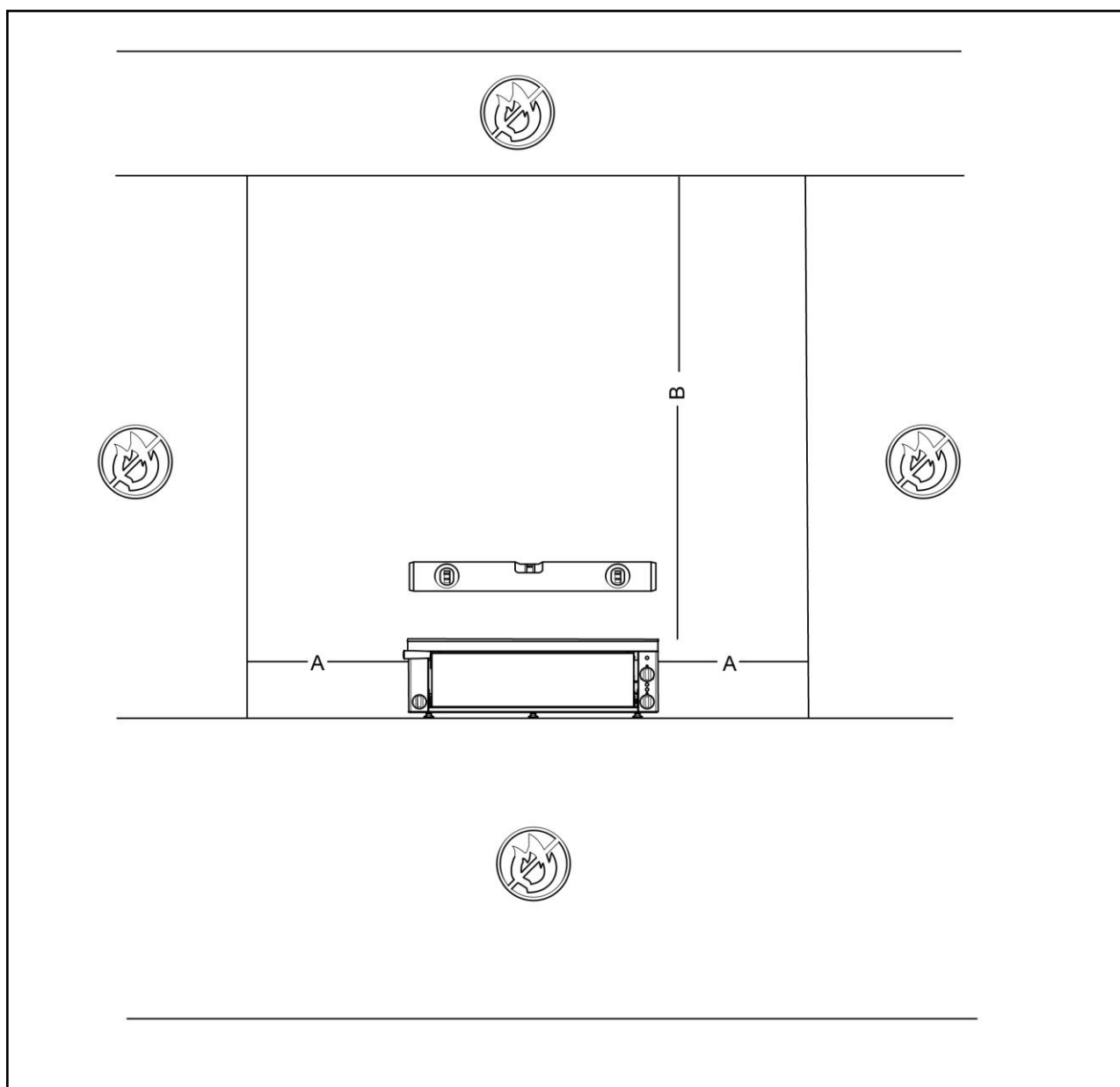


Fig 1

### Power Ratings

Model	kW	Amps
PO69X	2.9	12.6

# OPERATING INSTRUCTIONS

Only qualified or trained personnel should use this appliance.

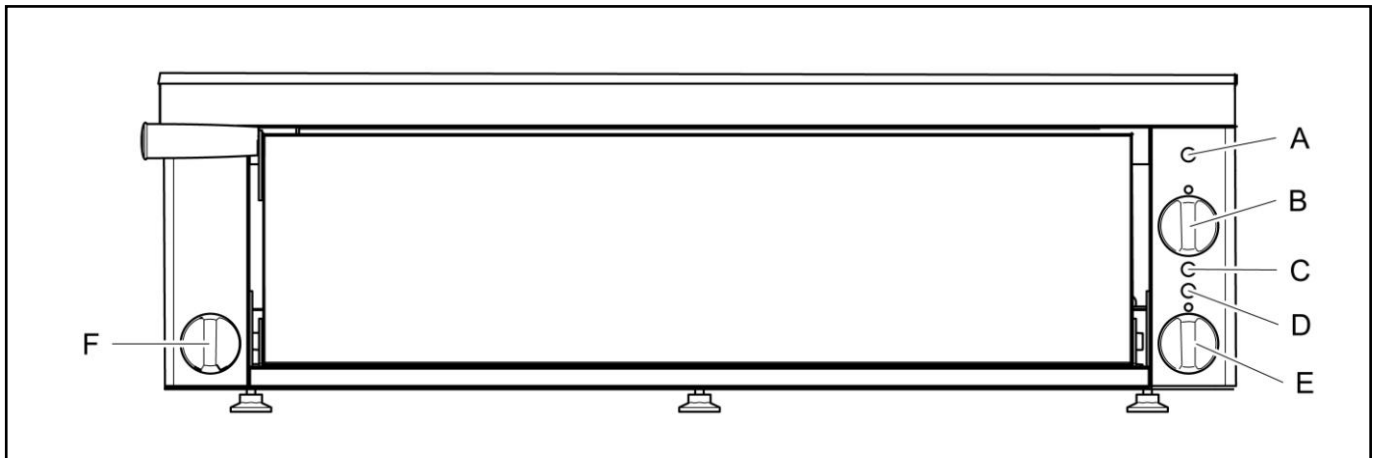


Fig 2

Refer to Fig 2 for control functions.

With all control knobs set to 'Off' connect the appliance to an electrical supply and switch on the power. The green neon (A) will illuminate.

Turn the thermostat control knob (B) clockwise to the required temperature. The amber neon (C) will illuminate.

Set the energy regulator knob (E) to maximum to pre-heat the oven. The amber neon (D) will illuminate.

The thermostat neon (C) will go off when the appliance has reached temperature, and cycle as the element maintains the set temperature. When the set temperature is reached, turn the energy regulator down to 3 and then adjust to individual requirements.

The energy regulator neon (D) will cycle on and off with the power supply to the element – the energy regulator (E) should not be left on maximum after the required oven temperature has been reached.

The appliance is fitted with an audible timer (F).

## CLEANING



Do not use a water jet or steam cleaner, and do not immerse this appliance.

Clean all panels with warm water and mild detergent, do not use abrasive materials. Dry with a soft cloth.

The refractory bricks may be removed for cleaning.

## SERVICING, MAINTENANCE AND COMPONENT REPLACEMENT

All servicing, maintenance and component replacement on this appliance should be carried out by one of our recommended service engineers.

## FAULT FINDING

Please refer to the Service Help Desk number on the final page of this manual.

## SPARE PARTS LIST

Part Number	Description
EL176	Element 1.75kW
EL177	Element 1.1kW
EN10	Energy regulator
FE10	Foot
HA05	Handle
KB01	Refractory brick
KN139	Thermostat knob
KN270	Timer knob
KN92	Energy regulator knob
NE37	Amber neon
NE38	Green neon
PL202	Mains cable
SW58	Switch
TH58	Thermostat
TI38	Timer

## ACCESSORIES

Part Number	Description
PO69X/FS	Floor stand

## SERVICE INFORMATION

For help with the installation, maintenance and use of your **Lincat** equipment, please contact our service department:

**☎ UK: 01522 875520**

For non-UK customers, please contact your local Lincat dealer

All service work, other than routine cleaning should be carried out by one of our authorised service agents. We cannot accept responsibility for work carried out by other persons.

To ensure your service enquiry is handled as efficiently as possible, please tell us:

- Brief details of the problem
  - Product code
  - Type number
  - Serial number
- } All available on serial plate

Lincat reserve the right to carry out any work under warranty, given reasonable access to the appliance, during normal working hours, Monday to Friday, 08:30 to 17:00.

### GUARANTEE

This unit carries a comprehensive UK mainland 2 year warranty. The guarantee is in addition to, and does not diminish your statutory or legal rights.

The guarantee does not cover:

- Accidental damage, misuse or use not in accordance with the manufacturer's instructions
- Consumable items (such as filters, glass, bulbs, slot toaster elements and door seals.)
- Damage due to incorrect installation, modification, unauthorised service work or damage due to scale, food debris build-up, etc.

The manufacturer disclaims any liability for incidental, or consequential damages. Attendance is based on reasonable access to the appliance to allow the authorised technician to carry out the warranty work.

Service calls to equipment under warranty will be carried out in accordance with the conditions of sale. Unless otherwise specified, a maximum of 15 minutes of administrative time, not spent directly carrying out servicing work, is provided for within the warranty. Any requirement for staff attending the call to spend greater time than 15 minutes due to administrative requirements, such as on health and safety risk assessments, will be chargeable at the prevailing rate.