



Installation, Operating and Servicing Instructions

Water boiler and chiller – EB3FX/HC/PB

Please make a note of your product details for
future use:

Date Purchased: _____

Model Number: _____

Serial Number: _____

Dealer: _____

CONTENTS

| | |
|---------------------------------------|-----|
| Important Information | 2 |
| Warnings and Precautions | 3 |
| Technical Data | 4 |
| Checklist of Enclosures | 4 |
| Installation and Commissioning | 4-5 |
| Operating Instructions | 5-7 |
| Spares list | 7 |
| Cleaning | 7 |
| Descaling Servicing, | 8 |
| Maintenance and Component Replacement | 8 |
| Fault Finding | 8 |
| Spare Parts List | 8 |
| Accessories | 8 |
| Service Information and Guarantee | 9 |

IMPORTANT INFORMATION



Read these instructions carefully before using this product, paying particular attention to all sections that carry warning symbols, caution symbols and notices. Ensure that these are understood at all times.



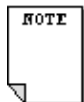
WARNING!

This symbol is used whenever there is a risk of personal injury.



CAUTION!

This symbol is used whenever there is a risk of damaging your Lincat product.



NOTE:

This symbol is used to provide additional information, hints and tips.

KEEP THIS MANUAL FOR FUTURE REFERENCE

WARNINGS AND PRECAUTIONS

This appliance must be installed, commissioned and serviced by a qualified person with the installation instructions for the appliance and in accordance with national and local regulations in force in the country of installation.

This appliance is intended for indoor use only and should never be installed outdoors or exposed to the elements of nature. This unit must not be positioned in an area that may be cleaned by a water jet and must not be cleaned by water jet.

The unit should be stood on a solid counter or shelf. Ensure that there is adequate ventilation around the unit. In particular ensure that top and base are clear from obstruction and ensure minimum of 50mm gap around the unit.

Do not install this unit close to any source of heat, which may result in operating condition exceeding its design limits.

Ambient temperature range: minimum 16⁰C, maximum 32⁰C, Maximum relative humidity 70%.

Switching on: If the unit has been laying on it's side then allow at least 3 hours in upright position before switching on.

If the supply cord is damaged, it must be replaced by the manufacturer, its service agent or similarly qualified person.

Ensure that the plug/socket is accessible at all times.

Strip plastic coating and clean the appliance before use.

This appliance contains R134a refrigerant under pressure. No part of unit should be exposed to a naked flame. Maintenance of the refrigeration unit must be carried out by an accredited service provider or qualified refrigeration engineer.

During operation parts may become hot - avoid accidental contact.

Always disconnect this appliance before servicing, maintenance or cleaning.

This appliance must be earthed.

Keep these instructions in safe place near the unit for future reference.

TECHNICAL DATA

| | |
|--------------------|-----|
| Height (mm) | 596 |
| Width (mm) | 250 |
| Depth (mm) | 570 |
| Weight (kg) | 32 |
| Power rating(kW) | 3 |
| Current rating (A) | 13 |

CHECK LIST OF ENCLOSURES

| |
|------------------------------|
| Warranty card |
| Instructions manual |
| Drip tray |
| Connection hose |
| Silicone drain hose assembly |

INSTALLATION AND COMMISSIONING

This appliance must be earthed.

If replacing the plug connect the terminals as follows:

| | | |
|-----------------------|---------|---|
| Green and Yellow wire | Earth | E |
| Blue wire | Neutral | N |
| Brown wire | Live | L |

Install this appliance on a level surface ensuring all vents are unobstructed.

Only install this unit in locations where it can be overseen by trained personnel.

Inlet water pressure should be between 2 and 6 bar. (0.2MPa to 0.6MPa)
If water pressure exceeds 6bar fit a suitable pressure reduction valve.

Ambient air temperature shall be between 16 °C and 32 °C

Electrical supply

The unit is supplied with a 13 amp plug to BS1363.

Water supply connection

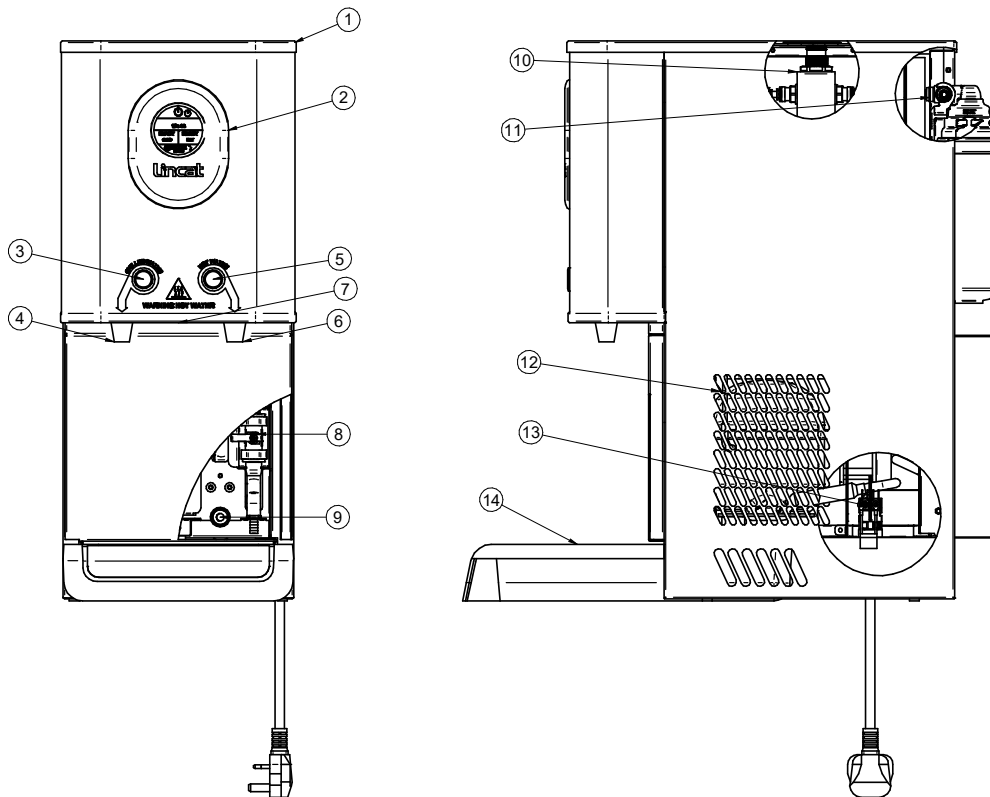
Connect the supplied water inlet hose to the inlet connection point on the filter head and the other end to the mains supply via an accessible isolating tap with a 3/4" BSP thread.

Use the hose set supplied with the appliance - any previous hose set is not to be re-used.

Potable water. If solid particles are known to be in the supply, add an extra inline filter or strainer.

OPERATING INSTRUCTIONS

General arrangement



| | |
|---|-----------------------|
| 1 | Lid |
| 2 | Touchscreen display |
| 3 | Dispense button cold |
| 4 | Dispense spout cold |
| 5 | Dispense button hot |
| 6 | Dispense spout hot |
| 7 | Serial plate location |
| 8 | Hot tank drain valve |

| | |
|----|---------------------------------|
| 9 | Drain pipe – thermal trip reset |
| 10 | Pressure reducing valve |
| 11 | Water inlet point |
| 12 | Side condenser air vent |
| 13 | Mains power inlet |
| 14 | Drip tray |
| | |
| | |

Only qualified or trained personnel should use this appliance.

First Use

Switch on the electricity supplies and leave the boiler to fill for 30 minutes. There is a delay of 2 minutes for the chiller to come 'ON', this will happen every time when electricity is interrupted.

The unit will display 'Wait' whilst it fills and heats/cool. It will display 'Ready' when water can be drawn off.

Touchscreen display configuration

| KEY | Icon | Pressing allows |
|-----|-----------------|--|
| 1 | Power button | On, off, Timed and ECO modes |
| 2 | Timed operation | Access to timer settings |
| 3 | Clock | Access to clock |
| 4 | Hot status | Status screen |
| 5 | Cold status | Status screen |
| 6 | Status | Cold-ready to use/wait |
| 7 | Status | Hot-ready to use/wait |
| 8 | Chiller module | Power to chiller module |
| 9 | Water in | Hot tank water filling |
| 10 | Fault | F03-Power board error F04-Power board over temperature F05-Power board fault F06-Sensor fault F07-Heating fault F08-Thermistor fault F09-Water supply fault F10-Chiller condenser over heat F11-Chiller- clean condenser |
| 11 | Element | Element ON |
| 12 | Filter | Filter life status |

When the boiler is supplied timed mode and clock function are all turned off.

To select these options press the "Power button", select the feature required and follow the on-screen instructions.

To adjust the temperature, clock or to perform a boiler descale press "Ready", select the option and follow the on-screen instructions.

All units are fitted with a settings PIN lock. Press Ready and then Settings to access the PIN setting screen. Master PIN code is available from Lincat Service should you forget the user set PIN.

Filter Replacement

The filter display shows the estimated life remaining in the filter cartridge. A reminder message is displayed when the filter needs changing.

To replace the filter:

Twist the base of the filter (E) 90 degrees to the left and lower the cartridge out of the appliance. It will contain a small amount of water. Only use a genuine Lincat Filter.

Insert the new filter into the recess and lock in place by twisting to the right.

Press the “Filter life icon” and follow the on-screen instructions to reset the filter life.

Drain off approximately 5 litres of water to remove any loose carbon particles from the filter.

The boiler will not fill if the filter is removed as the filter head incorporates a shut-off valve.

F10-Chiller condenser over heat: This could be due to condenser fan not working, condenser air outlet blocked or condenser blocked.

F11-Chiller- clean condenser: This is a regular periodic warning to ensure the condenser fins are not blocked that should be kept clean to ensure optimum operation of cooler water cooling system.

SPARES LIST

| Part number | Description |
|-------------|-----------------------------------|
| PR111 | Control/Display board |
| PR101 | Auxiliary power board |
| PR100 | Power board |
| TH88 | Tank over heat cut out |
| TH123 | Steam/over flow over heat cut out |
| TH124 | Hot tank thermistor |
| TH126 | Cold block thermistor |
| WL13 | Level sensor cable |
| CA179 | Interconnect data cable |
| CA207 | Condenser signal cable |
| EBCM01 | Chiller module |

CLEANING



Do not use a water jet or steam cleaner, and do not immerse this appliance.

Clean all panels with warm water and mild detergent and do not use abrasive materials. Dry with a soft cloth.

Slide out and empty the drip tray regularly, and wipe the dispensing tap spouts daily to remove limescale deposits.

DESCALING

De-scaling is an important maintenance task and must be performed to maintain the warranty. Failure to descale a unit may result in the boiler overflowing and leaking from the overflow.

Lincat offer a purpose designed de-scaler powder, part number DP10 that can be used should you require it.

SERVICING, MAINTENANCE AND COMPONENT REPLACEMENT

All maintenance and component replacement on this appliance should be carried out by one of our recommended service engineers.

FAULT FINDING

Please refer to the Service Help Desk number on the final page of this manual.

SPARE PARTS LIST

For spare parts for your water boiler/chiller please contact the Lincat Spares department on 01522-875510. Refer to the serial plate for the model and serial number of your water boiler, as this will help us quickly identify the part you require.

ACCESSORIES

| Part Number | Description |
|-------------|-----------------|
| BR57 | Wall bracket |
| DP10 | Descaler powder |

SERVICE INFORMATION

For help with the installation, maintenance and use of your Lincat equipment, please contact our service department:

☎ UK: 01522 875520

For non-UK customers, please contact your local Lincat dealer

All service work, other than routine cleaning should be carried out by one of our authorised service agents. We cannot accept responsibility for work carried out by other persons.

To ensure your service enquiry is handled as efficiently as possible, please tell us:

- Brief details of the problem
 - Product code
 - Type number
 - Serial number
- } All available on serial plate

Lincat reserve the right to carry out any work under warranty, given reasonable access to the appliance, during normal working hours, Monday to Friday, 08:30 to 17:00.

GUARANTEE

This unit carries a comprehensive UK mainland 2 year warranty.

This requires you maintain and care for your product and follow maintenance instructions. If you fail to maintain your unit or damage components Lincat may charge you for a warranty repair.

The guarantee is in addition to, and does not diminish your statutory or legal rights.

The guarantee does not cover:

- Accidental damage, misuse or use not in accordance with the manufacturer's instructions
- Consumable items (such as filters, glass, bulbs, slot toaster elements and door seals.)
- Damage due to incorrect installation, modification, unauthorised service work or damage due to scale, food debris build-up, etc.

The manufacturer disclaims any liability for incidental, or consequential damages. Attendance is based on reasonable access to the appliance to allow the authorised technician to carry out the warranty work.

This page intentionally blank