



QUICK START USER MANUAL

KINGFISHER DELUXE
UNDERCOUNTER GLASS & DISHWASHERS

INTRODUCTION

Welcome to your new Kingfisher Deluxe Warewasher.

This model refers to more than one type of unit in the range. For reference, refer to the product specifications overleaf to identify your appliance.

Unpacking & Positioning

- ⚠ This appliance is not designed to be moved by hand from area to area. It must be moved into position on a pallet with a forklift or other suitable lifting equipment before unboxing.
- ⚠ Upon unwrapping, inspect the machine for damage immediately. If any issues are noticed, please contact the retailer directly.
- ⚠ Read this user manually carefully, particularly installation instructions overleaf before attempting to use or operate the machine.

Safety Instructions

- ⚠ Do not use the appliance in areas without sufficient lighting.
- ⚠ Do not touch moving parts of the appliance whilst it is in operation.
- ⚠ Do not install or use the appliance in the presence of flammable or explosive materials.
- ⚠ Do not operate the appliance when it is not connected to a water supply
- ⚠ This appliance must be earthed in accordance with local regulations. All damage caused by use when not earthed will not be covered under the warranty.
- ⚠ If for any reason there is a malfunction of the appliance which causes a leak of water, ensure that the electrical supply is switched off at the plug/circuit breaker immediately before touching the appliance.
- ⚠ In the event of a malfunction of the appliance which causes fire or smoke, switch off the electrical supply at the plug/circuit breaker immediately. Do not use water to extinguish and instead use a fire extinguisher suitable for electrical fires.

 **For further assistance, please call our UK service partner on 01279 876 500 or write an email to service@buzzsupplies.co.uk**

PRODUCT SPECIFICATIONS

Model	Dimensions (mm)	Weight (kg)	Packaging Dimensions
KF500	590x700x820	67	725x650x970

Technical Information

Product Code	KF500
Basket Dimensions	500x500mm
Total Power	3kw
Motor Power	0.55kw
Boiler Heating	2.5kw
Tank Heating	2.5kw
Operating Voltage	230v
Fuse Rating	13A
Water Pressure	2-4 bar
Program Timer	90, 120 or 180 seconds
Drain Pump	Yes

GENERAL INFORMATION

Before installing or using the appliance, read this quick start user manual carefully. Incorrect installation of the machine may damage the product, cause injury to people and invalidate your warranty. The company is not responsible for damage to the appliance because of incorrect use, negligence, wrong connections etc.

1. This instruction manual should be kept in a safe place for future reference
2. Installation should be made by a qualified service engineer
3. Please check for local regulations and rules about proper use & connection
4. The appliance is designed for commercial use & operation by trained personnel only
5. In the event of a malfunction or failure, turn off the appliance immediately
6. The appliance should only be repaired by authorised service personnel.



For further assistance, please call our UK service partner on 01279 876 500 or write an email to service@buzzsupplies.co.uk

INSTALLATION

All Kingfisher Deluxe glass washers & dishwashers are supplied with the following:

1. 3 pin 13amp UK Plug (Pre-Installed)
2. Drain Hose (Pre-Installed)
3. Water Inlet Hose (Not Installed)
4. Detergent Intake Pipe (Pre-Installed)
5. Rinse Aid Intake Pipe (Pre-Installed)
6. Baskets (3)
7. Feet (4)

▲ IMPORTANT

Please take care when unpacking the unit as the feet do not come pre-installed. Ensure these are installed on to the unit **BEFORE** moving to the location you are installing to. Once in place ensure unit is level, left to right, front to back as if not this can affect the running of the machine.

Connecting the Water Supply

The mains water hose will be supplied with the unit and located in the wash tank (Seen when retrieving the feet in the previous step). Connect one end of the hose to the Inlet valve on the unit, ensure to **NOT** cross thread when screwing on to the unit. Once it has been connected tightly connect the other end of the hose to your mains water supply or water softener where applicable.

▲ Please Note: medium to hard water areas must be connected to a water softener. Failure to do so could damage your machine, cause poor wash results and invalidate your warranty. Scan the QR code to find out more about water quality in your area.



Connecting The Waste Outlet

The grey ribbed waste hose will need to be connected to your waste outlet.

All Kingfisher deluxe machines are fitted as standard with a drain pump. However, you must ensure the waste outlet is not higher than three quarters of the height of the unit as this will prevent the pump from operating correctly. **Using an upstand is preferred, as a spigot will reduce the flow rate and may result in dirty water flowing back into the unit.**

Connecting To Electrical Supply

All machines, unless otherwise specified, are 13amp 3 pin Plug. Ensure the unit is connected to a dedicated socket with no other items that use an element on the ring.

DO NOT USE AN EXTENSION LEAD OR DOUBLE PLUG.

Connecting To Chemicals

All units will come supplied with automatic chemical dosing pumps fitted internally to the machine. The pickup for these are the two pipes at the rear of the machine.

CLEAR: for glasswash or dishwasher detergent
GREEN or BLUE: for rinse aid

⚠ Please Note: If the unit has 2 clear pipes fitted, there will be stickers to indicate which pipe is used for which stuck to the back of the machine where the pipe exits.

RECOMMENDED CHEMICALS 

Wash results and machine longevity can be highly dependant on the quality of chemicals used. Kingfisher has been tested with and always recommends the use of EntirePro.

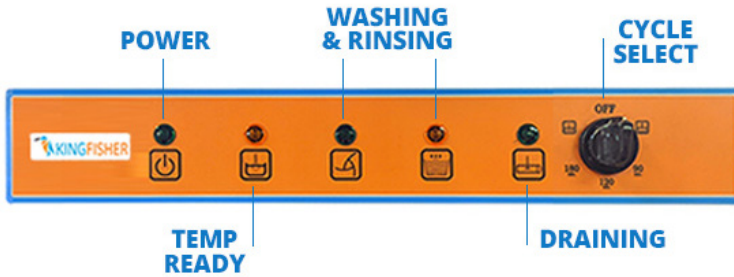
It is always advisable to make a small hole in the lid of the chemicals and feed the tube through, you will need to remove the weight and filter before doing so, re attach this when the tube has gone through the lid, screwing the lid back on to the chemical bottle. Ensure the chemical dosing tube has been fed through, so it is at the bottom of the bottle. This is to prevent Oxidisation of the chemicals and provide a longer shelf life.

First Use

1. Ensure the power is on at the socket, the power light on the front unit will illuminate
2. Make sure that the Water valve has been turned on/Water softener is open to the machine
3. You are now ready to begin using the unit.
4. Turn overleaf for operating instructions.

OPERATION

Control Panel Overview



Filling the machine

1. Using the Black Dial on the right hand side. Turn to **position 1**.



2. The unit will then **fill with water**, after a short while this will stop at the required level and automatically start to **heat the boiler and tank**. This will take between **45-60 mins**.

The chemicals will have already dispensed via the internal pumps. Do not add any additional chemicals to the wash tank: such as washing up liquid or extra detergent/rinse aid.

3. When both tanks are heated to their correct temperatures, the temperature indicator will illuminate to confirm the machine is ready to use. **Do not wash until it is fully heated.**

Wash Tanks: 55 - 65 °C

Boiler: 75 - 85 °C

Starting a wash cycle

1. Ensure that all items receive a **pre rinse** before going through the wash cycle. This is to ensure no grease/grime or excess food stuff goes into the wash tank.
2. Place the items in the basket ensuring there is nothing poking through the holes in the basket that may interfere with the bottom wash/rinse arm rotation.
3. Close the door and turn the Black Dial to **Position 2, 3 or 4** for your preferred wash cycle.



4. The unit will perform the **wash cycle** and then a small **rinse cycle**.
5. Open the door and remove the tray, closing the door to ensure there is minimal loss of heat **DO NOT PUT THE TRAY ON TOP TO DRIP DRY** as this can cause electrical problems.

Draining and end of day cleaning

1. When the machine requires to be emptied, generally at the end of the day, remove the tray and **release the overflow** ensuring the filter remains in place until all water has drained.
2. Turn the black dial to **position 5**.



3. The **drain pump will start** and water will begin to empty from the tank going through the drain pipe to your external waste pipe. It may be necessary to perform this procedure more than once should there is residual left over.
5. Once emptied, ensure you complete your daily/monthly cleaning procedure.

Maintenance

General Tips

Drain & replenish the water in the water tank at least once a day. You may need to do this more regularly if it becomes dirty during operation.

Before putting dishes into the appliance, we advise that you prewash them by rinsing with cold or warm water over a sink. This helps to remove any residual food debris.

Do not pre-wash with soaps or washing up liquid as residual can contaminate the wash water inside the tank.

Daily Cleaning & Maintenance

Always turn off the appliance and disconnect the power supply for cleaning.

Drain dirty wash water by removing the plug and utilising the drain pump.

Remove and clean the tank filters by washing and rinsing them in the sink. This helps to prevent debris build up and ensure efficient cleaning.

Clean the wash chamber with a hot soapy water solution, before rinsing and then drying with a clean cloth. Do not use abrasive cleaning chemicals.

Wipe down external surfaces with a damp cloth and mild cleaning solution. Do not clean the control panel by spraying water directly, otherwise this can cause damage to the electrical components.

Check detergent levels to ensure that the machine is not operated without appropriate supply of detergent and rinse aid.

Weekly Maintenance

Check and replenish your water softener to ensure optimal water quality. We recommend this is done weekly, but frequency may be increased if you notice limescale build up inside the washing chamber.

Inspect and clean washer jets by unscrewing the wash arms and nozzles and flushing through with clean water. If they are blocked with limescale, soak in a descaler solution to clean.

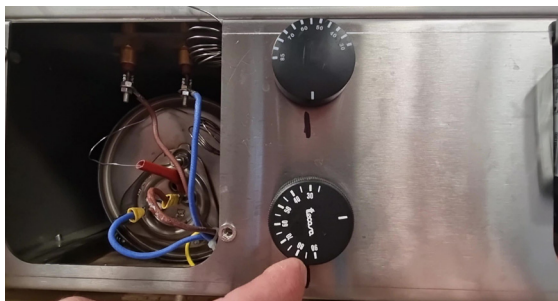
Monthly Maintenance

Descal the dishwasher. Let the machine fill up and heat then add an appropriate dilution of catering descaler solution. Leave for 5 minutes then run 3 wash cycles without anything in the machine. Once complete, drain down and flush with fresh water to remove any residue.

Front Service Panel

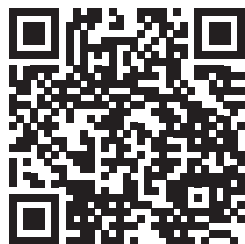
Commonly configurations can easily be changed by the user underneath the front service panel. This can be removed by unscrewing the two screws located at the bottom front of the machine. Scan the QR code to watch the video of each below:

Temperature Control Settings:



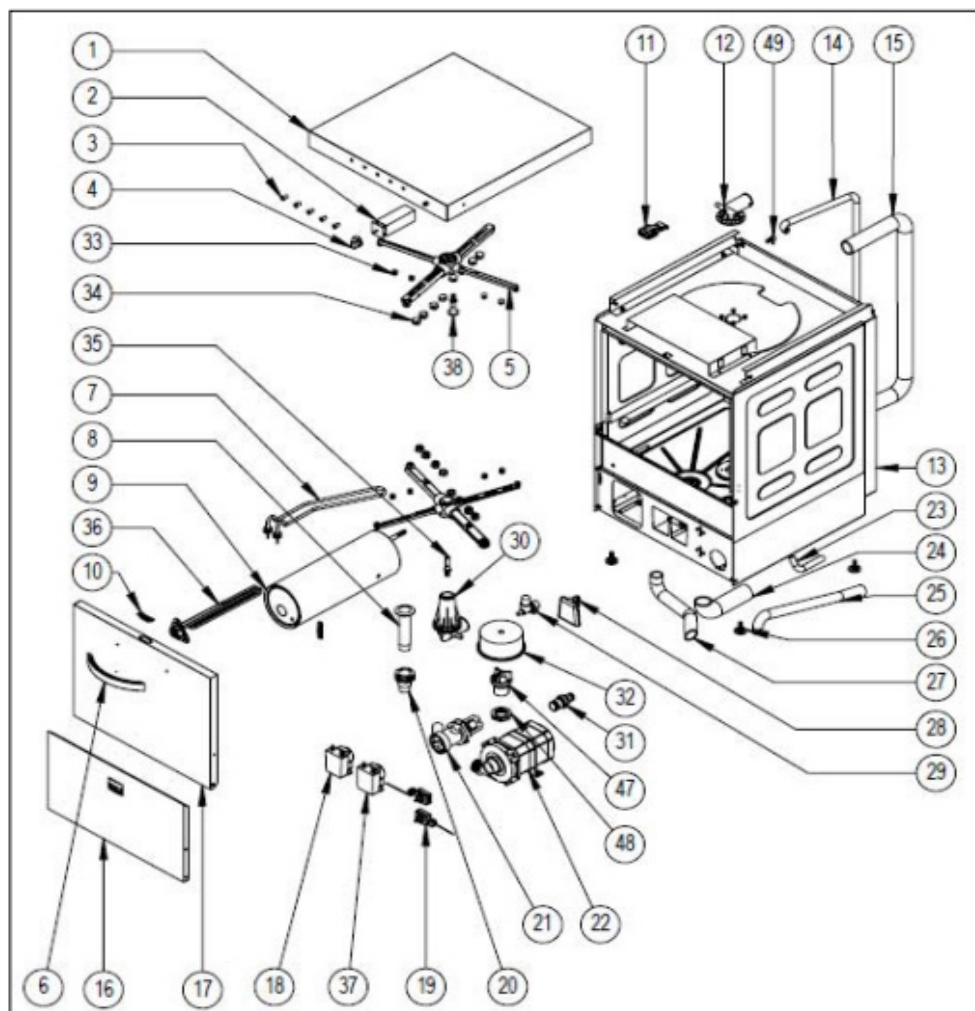
<https://youtu.be/ogs8bljPP6A>

Detergent/Rinse Aid Dosing Settings:



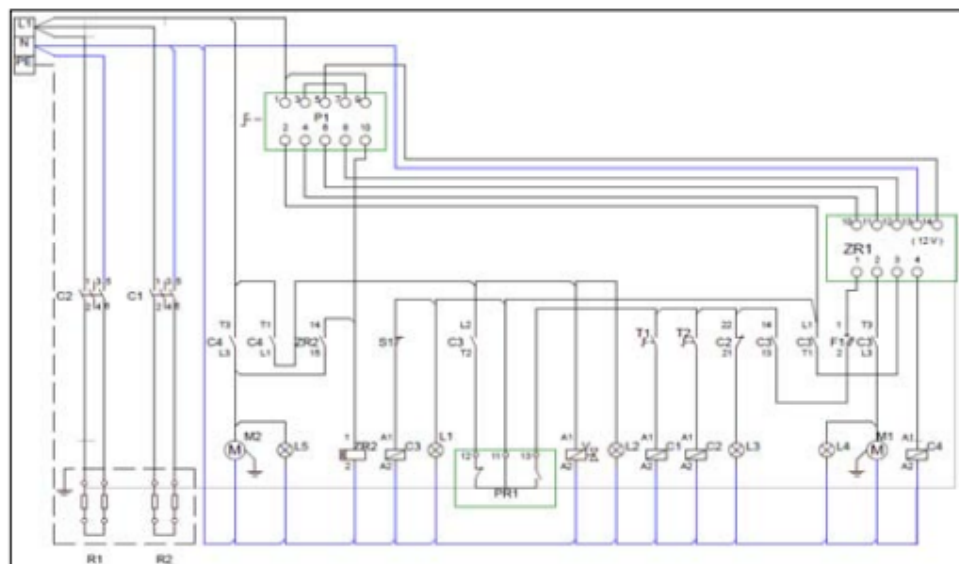
<https://youtu.be/S2LVhBQ71lw>

Component Diagram



PRODUCT CODE : EMP.500		
NUMBER	PRODUCT NAME	PRODUCT CODE
1	TOP LID	Y.EMP.500.001
2	SWITCH	Y.EMP.500.002
3	WARNING LAMP	Y.EMP.500.003
4	SWITCH BUTTON	Y.EMP.500.004
5	TOP EJECTOR	Y.EMP.500.005
6	LID HANDLE	Y.EMP.500.006
7	BOWL RESISTANCE	Y.EMP.500.007
8	DRAINAGE WEDGE	Y.EMP.500.008
9	BOILER TANK	Y.EMP.500.009
10	LID LOCK PLASTIC	Y.EMP.500.010
11	LID LOCK	Y.EMP.500.011
12	TOP EJECTOR HANDLE	Y.EMP.500.012
13	BASE FRAME	Y.EMP.500.013
14	RINSING HOSE	Y.EMP.500.014
15	WASHING HOSE	Y.EMP.500.015
16	BOTTOM LID	Y.EMP.500.016
17	FRONT LID	Y.EMP.500.017
18	DETERGENT PUMP	Y.EMP.500.018
19	THERMOSTAT	Y.EMP.500.019
20	WEDGE BEARING	Y.EMP.500.020
21	DRAINAGE PUMP	Y.EMP.500.021
22	MOTOR	Y.EMP.500.022
23	BOILER VALVE HOSE	Y.EMP.500.023
24	BOWL PUMP HOSE	Y.EMP.500.024
25	DRAINAGE HOSE	Y.EMP.500.025
26	FEET	Y.EMP.500.026
27	BOWL DRAINAGE HOSE	Y.EMP.500.027
28	AIR LOCK	Y.EMP.500.028
29	VALVE	Y.EMP.500.029
30	BOTTOM EJECTOR HANDLE	Y.EMP.500.030
31	DRAINAGE ADD. PIPE	Y.EMP.500.031
32	FILTER	Y.EMP.500.032
33	RINSING NOZZLE	Y.EMP.500.033
34	WASHING NOZZLE	Y.EMP.500.034
35	EJECTOR SHAFT	Y.EMP.500.035
36	BOILER RESISTANCE	Y.EMP.500.036
37	POLISHER PUMP	Y.EMP.500.037
38	EJECTOR NUT	Y.EMP.500.038
39	BALLCOCK	Y.EMP.500.039
47	FILTER HOLDER	Y.EMP.500.047
48	FILTER NUT	Y.EMP.500.048
49	DETERGENT INLET ATTACHMENT	Y.EMP.500.049

Electrical Circuit Diagram



P1	S1	C1	C2	C3	C4	PR1
5 Progressive Commutator	Magnetic Door Sensor	Boiler Contactor 230V	Washing Contactor 230V	Lid Contactor 230V	Rinsing Contactor 230V	Prosestat

L1	L2	L3	L4	L5	ZR1	ZR2	V
Start lamp	Rinsing lamp	Water is heated lamp	Washing lamp	Evacuation lamp	5 Cycle-cycle Relay (INTER RR 5TG)	0-240 sec. cycle relay	Solenoid valve 230V

F1	T1	T2	M1	M2	R1	R2
ZR1 Fuse 500mA	Boiler thermostat (30-90°C)	Washing thermostat (30-90°C)	Washing motor 0,55 KW 230V	Evacuation motor 0,44 W 230V	Washing resistance 2500W 230V	Boiler resistance 3000W 380V

Warranty & Repair

Warranty repairs must only be conducted by authorised service personnel. For more information please contact the UK distributor of your machine:

Buzz Supplies Ltd
Unit F, Woodside Ind. Estate
Bishop's Stortford
Hertfordshire
CM23 5RG

T: 01279 876 500

E: Service@buzzsupplies.co.uk

