



DF39 - Lincat Silverlink 600 Electric Counter-top Single Tank Fryer - 1 Basket - W 300 mm - 9.0 kW

The Silverlink 600 Electric Counter Top Fryer comes with higher powered elements to deliver 30kg of chips per hour, and is perfect for mobile operations, cafes, pubs and restaurants.

- ✓ Higher powered elements deliver an impressive 30kg of chips per hour
- ✓ Front mounted controls for safety
- ✓ Hinged elements to give easy access during cleaning
- ✓ Cool zone collects cooking debris - gives cleaner cooking results and saves money by prolonging the life of the oil
- ✓ Thermostatically controlled to give accurate cooking temperatures throughout cooking. Fail-safe top temperature cut out ensures safe operation.
- ✓ Fully moulded 304 stainless steel tank and heavy duty nickel plated baskets for the most demanding of operations
- ✓ Front drain off tap for easy removal of cooking oil

Specifications

Summary

Brand	Lincat
Range	Silverlink 600
Power Type	Electric
Unit Type	Counter-top
Available in UK Only	No
UK Warranty	2 Years Parts and Labour Warranty
Export Warranty	Contact your local dealer
GTIN	5056105104599

Power and Performance

Total Power kW	9.0
Temperature Range °C	130-190
IP Rating	IP33
Temperature Control	Mechanical

Key Specifications

Number of Baskets	1
Number of Tanks	1
Gravity Filtration	No
Pumped Filtration	No
Drain Location	Front-mounted

Capacity

Product Output per Hour	26kg chips - 12mm [frozen], 30kg chips - 12mm [chi]
Capacity Litres	9.0

Weights and Dimensions

Unit Height (External) mm	330
Unit Width (External) mm	300
Unit Depth (External) mm	632
Net Weight Kg	14.6

Supply Connections

Requires Installation	Yes
Requires Electrical Supply	Yes
UK 3 Pin Plug	No
Requires Hardwiring	Yes
Electrical Supply Rating Watts	9,000
Single Phase Amps	39.0
Single Phase Voltage	230
Three Phase Amps	L1=13.0; L2=13.0; L3=13.0
Three Phase Voltage	400

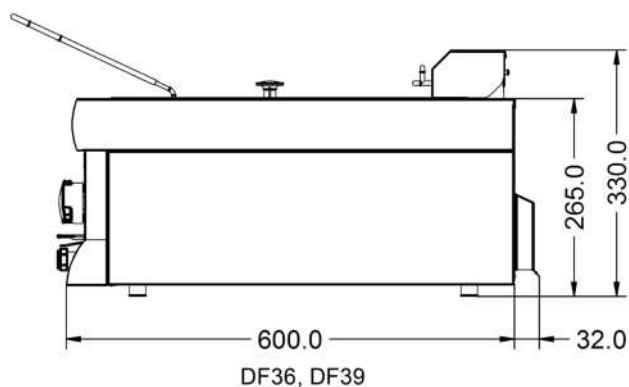
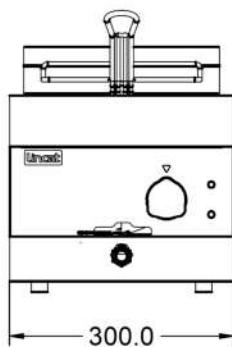
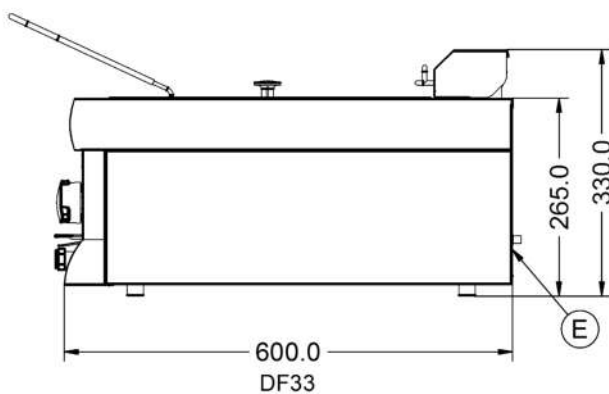
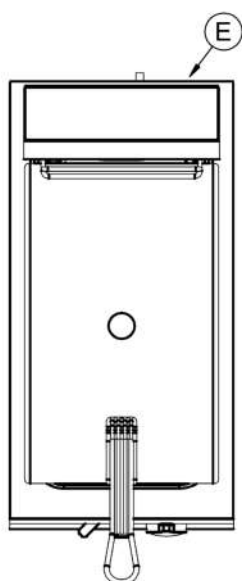
Shipping

Packed Weight Kg	16.06
Packed Height cm	49.5
Packed Width cm	70
Packed Depth cm	40

Available Accessories

BA96	BASKET SPUN DFSMALL
CC3	Lincat Silverlink 600 Free-standing Ambient Open-Top Pedestal with Doors - W 300 mm
CN3	Lincat Silverlink 600 Free-standing Ambient Open-Top Pedestal without Doors - W 300 mm
HC3	Lincat Silverlink 600 Free-standing Heated Open-Top Pedestal with Doors - W 300 mm - 0.25 kW
HCL3	Lincat Silverlink 600 Free-standing Heated Pedestal with Legs and Doors - W 300 mm - 0.25 kW
SLS3	Lincat Silverlink 600 Free-standing Floor Stand - for units W 300 mm

Technical Picture





Lincat Limited

Whisby Road,
Lincoln, LN6 3QZ,
United Kingdom

Company No: 2175448

A member company of



Customer Care

Tel: +44 1522 875500
Email: care@lincat.co.uk

Export Customers

Tel: +44 1522 875536
Email: export@lincat.co.uk

Opening Hours

Monday – Friday:
8.30am – 5pm