



## DF49 - Lincat Silverlink 600 Electric Counter-top Single Tank Fryer - 2 Baskets - W 450 mm - 9.0 kW

The powerful Silverlink 600 Electric Single Tank Counter Top Fryer delivers 30kg of chips per hour and features a two basket operation which gives you the flexibility of cooking different foods or loads simultaneously.

- ✓ Higher powered, single tank fryer with two baskets giving you the flexibility to cook different foods or loads simultaneously, delivering 30kg of chips per hour
- ✓ Front mounted controls for safety
- ✓ Hinged elements to give easy access during cleaning
- ✓ Cool zone collects cooking debris - gives cleaner cooking results and saves money by prolonging the life of the oil
- ✓ Thermostatically controlled to give accurate cooking temperatures throughout cooking. Fail-safe top temperature cut out ensures safe operation.
- ✓ Fully moulded 304 stainless steel tank and heavy duty nickel plated baskets for the most demanding of operations
- ✓ Front drain off tap for easy removal of cooking oil

### Specifications

Summary		Power and Performance	
<b>Brand</b>	Lincat	<b>Total Power kW</b>	9.0
<b>Range</b>	Silverlink 600	<b>Temperature Range °C</b>	130-190
<b>Power Type</b>	Electric	<b>IP Rating</b>	IP33
<b>Unit Type</b>	Counter-top	<b>Temperature Control</b>	Mechanical
<b>Available in UK Only</b>	No		
<b>UK Warranty</b>	2 Years Parts and Labour Warranty		
<b>Export Warranty</b>	Contact your local dealer		
<b>GTIN</b>	5056105104636		

Key Specifications		Capacity	
<b>Number of Baskets</b>	2	<b>Product Output per Hour</b>	26kg chips - 12mm [frozen], 30kg chips - 12mm [chi]
<b>Number of Tanks</b>	1	<b>Capacity Litres</b>	15.0
<b>Gravity Filtration</b>	No		
<b>Pumped Filtration</b>	No		
<b>Drain Location</b>	Front-mounted		

Weights and Dimensions		Supply Connections	
<b>Unit Height (External) mm</b>	330	<b>Requires Installation</b>	Yes
<b>Unit Width (External) mm</b>	450	<b>Requires Electrical Supply</b>	Yes
<b>Unit Depth (External) mm</b>	632	<b>UK 3 Pin Plug</b>	No
<b>Net Weight Kg</b>	17.2	<b>Requires Hardwiring</b>	Yes
		<b>Electrical Supply Rating Watts</b>	9,000
		<b>Single Phase Amps</b>	39.0
		<b>Single Phase Voltage</b>	230
		<b>Three Phase Amps</b>	L1=13.0; L2=13.0; L3=13.0
		<b>Three Phase Voltage</b>	400

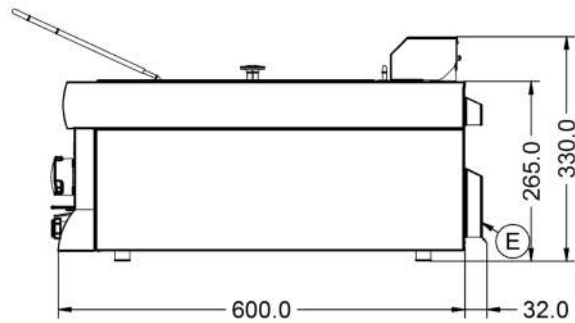
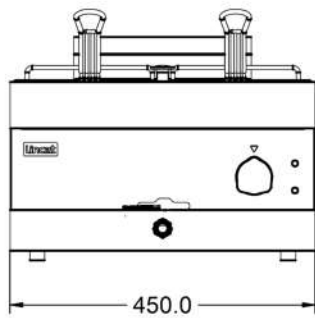
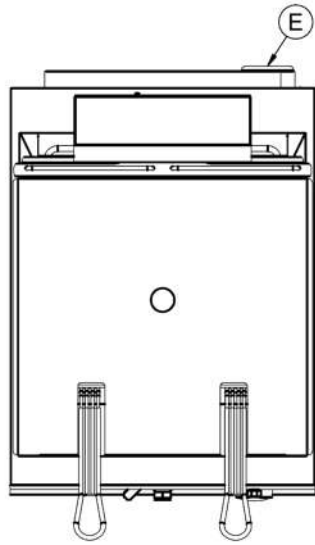
## Shipping

<b>Packed Weight Kg</b>	18.92
<b>Packed Height cm</b>	49.5
<b>Packed Width cm</b>	70
<b>Packed Depth cm</b>	55

## Available Accessories

<b>BA96</b>	BASKET SPUN DFSMALL
<b>CC4</b>	Lincat Silverlink 600 Free-standing Ambient Open-Top Pedestal with Doors - W 450 mm
<b>CN4</b>	Lincat Silverlink 600 Free-standing Ambient Open-Top Pedestal without Doors - W 450 mm
<b>DC03</b>	DONUT KIT FOR DF46
<b>HC4</b>	Lincat Silverlink 600 Free-standing Heated Open-Top Pedestal with Doors - W 450 mm - 0.5 kW
<b>HCL4</b>	Lincat Silverlink 600 Free-standing Heated Pedestal with Legs and Doors - W 450 mm - 0.5 kW
<b>SLS4</b>	Lincat Silverlink 600 Free-standing Floor Stand - for units W 450 mm

Technical Picture



**Lincat Limited**

Whisby Road,  
Lincoln, LN6 3QZ,  
United Kingdom

**Company No:** 2175448

A member company of



**Customer Care**

**Tel:** +44 1522 875500  
**Email:** care@lincat.co.uk

**Export Customers**

**Tel:** +44 1522 875536  
**Email:** export@lincat.co.uk

**Opening Hours**

**Monday – Friday:**  
8.30am – 5pm