



## LPC - Lincat Lynx 400 Pizzachef Electric Counter-top Infra-Red Grill with Rod Shelf - W 552 mm - 3.0 kW

Producing perfect pizzas and paninis every time, the 3kW Lynx 400 Pizzachef Infra Red Grill heats up rapidly and saves energy as you only need to switch it on when you need it.

- ✔ Pizza Chef salamander grill perfect for pizzas and toasted sandwiches
- ✔ Rapid heat up - save energy by switching on just when you need to use it
- ✔ Variable heat control of lower elements
- ✔ Even heat provides maximum output
- ✔ Accurate electrical timer for precise cooking control
- ✔ Enamel fascia for easy cleaning
- ✔ Six clip-in, user-changeable quartz infrared elements
- ✔ Rod shelf with stay cool handle, supplied as standard
- ✔ Plug and play for an easy installation

### Specifications

#### Summary

<b>Brand</b>	Lincat
<b>Range</b>	Lynx 400
<b>Power Type</b>	Electric
<b>Unit Type</b>	Counter-top
<b>Available in UK Only</b>	No
<b>UK Warranty</b>	2 Years Parts and Labour Warranty
<b>Export Warranty</b>	Contact your local dealer
<b>GTIN</b>	5056105101208

#### Power and Performance

<b>Total Power kW</b>	3.0
<b>IP Rating</b>	IP23
<b>Temperature Control</b>	Mechanical

#### Key Specifications

<b>Number of Shelves included</b>	1
<b>Number of Shelf Positions</b>	1
<b>Number of Heat Zones</b>	1

#### Capacity

<b>Product Output per Hour</b>	216 toast slices, 96 toasted sandwiches, 28 x 9" [
--------------------------------	--

#### Weights and Dimensions

<b>Unit Height (External) mm</b>	325
<b>Unit Width (External) mm</b>	552
<b>Unit Depth (External) mm</b>	302
<b>Shelf Dimensions Width mm</b>	460
<b>Shelf Dimensions Depth mm</b>	270
<b>Net Weight Kg</b>	12.1

#### Supply Connections

<b>Requires Installation</b>	No
<b>UK 3 Pin Plug</b>	Yes
<b>Requires Hardwiring</b>	No
<b>Electrical Supply Rating Watts</b>	3,000
<b>Single Phase Amps</b>	13.00
<b>Single Phase Voltage</b>	230

#### Shipping

<b>Packed Weight Kg</b>	13.31
<b>Packed Height cm</b>	49.5
<b>Packed Width cm</b>	70
<b>Packed Depth cm</b>	55

### Available Accessories

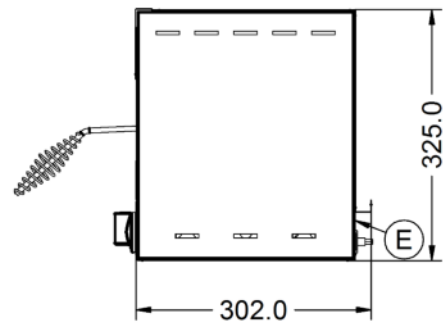
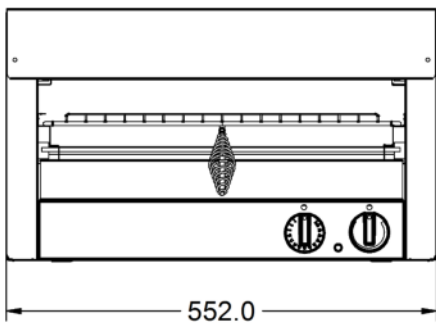
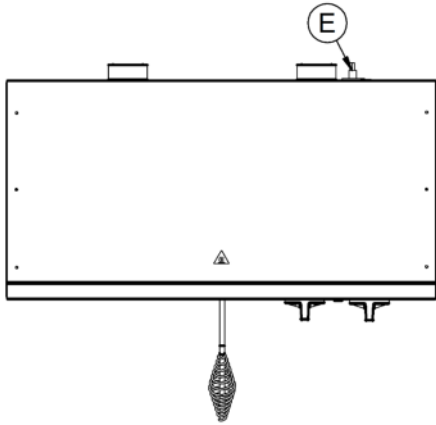
<b>BR15</b>	Wall Bracket for LGT/GR3
-------------	--------------------------

Available Accessories

TO10

NULL

Technical Picture





**Lincat Limited**

Whisby Road,  
Lincoln, LN6 3QZ,  
United Kingdom

**Company No:** 2175448

A member company of



**Customer Care**

**Tel:** +44 1522 875500  
**Email:** [care@lincat.co.uk](mailto:care@lincat.co.uk)

**Export Customers**

**Tel:** +44 1522 875536  
**Email:** [export@lincat.co.uk](mailto:export@lincat.co.uk)

**Opening Hours**

**Monday – Friday:**  
8.30am – 5pm