



M7F - Lincat FilterFlow MF Wall Mounted Automatic Fill Boiler - 7.5L Capacity - 3.0 kW

Easy to install with a 3 pin plug and just three screws, the M7F provides a high volume of filtered boiling water on tap 24/7.

- ✓ High quality boiling water on tap 24 hours a day
- ✓ Wall mounted, compact design
- ✓ Easy installation - UK 3 pin plug and three screws
- ✓ Built-in water filtration system improves water quality
- ✓ High volume, easy change FilterFlow cartridge
- ✓ Adjustable water temperature from 70°- 96°C
- ✓ Precise electronic temperature control system
- ✓ LCD information panel
- ✓ Enhanced multi-level diagnostics

Specifications

| Summary | | Power and Performance | |
|-----------------------------|-----------------------------------|-----------------------------|-------|
| Brand | Lincat | Total Power kW | 3.0 |
| Range | FilterFlow | Temperature Range °C | 70-96 |
| Series | MF Wall-mounted Boiler | IP Rating | IPX23 |
| Power Type | Electric | Hourly Output Litres | 28 |
| Unit Type | Wall-mounted | Hourly Output Cups | 140 |
| Available in UK Only | No | | |
| UK Warranty | 2 Years Parts and Labour Warranty | | |
| Export Warranty | Contact your local dealer | | |
| GTIN | 5056105117964 | | |

| Key Specifications | | Capacity | |
|----------------------|------------|----------------------------------|-----|
| Outlet | Single Tap | Hot and Cold Water Output | No |
| Dispense Lock | No | Rapid Draw Off Litres | 8.0 |
| | | Rapid Draw Off Cups | 38 |
| | | Capacity Litres | 8.0 |

| Weights and Dimensions | | Supply Connections | |
|----------------------------------|------|---------------------------------------|---------|
| Unit Height (External) mm | 563 | Requires Installation | No |
| Unit Width (External) mm | 340 | Requires Electrical Supply | Yes |
| Unit Depth (External) mm | 269 | UK 3 Pin Plug | Yes |
| Net Weight Kg | 11.6 | Requires Hardwiring | No |
| | | Electrical Supply Rating Watts | 3,000 |
| | | Single Phase Amps | 13 |
| | | Single Phase Voltage | 230 |
| | | Water Connection Pressure Bar | 1.0-8.0 |
| | | Water Connection | 3/4" |

| Shipping | |
|-------------------------|----|
| Packed Weight Kg | 15 |
| Packed Height cm | 35 |
| Packed Width cm | 41 |
| Packed Depth cm | 63 |

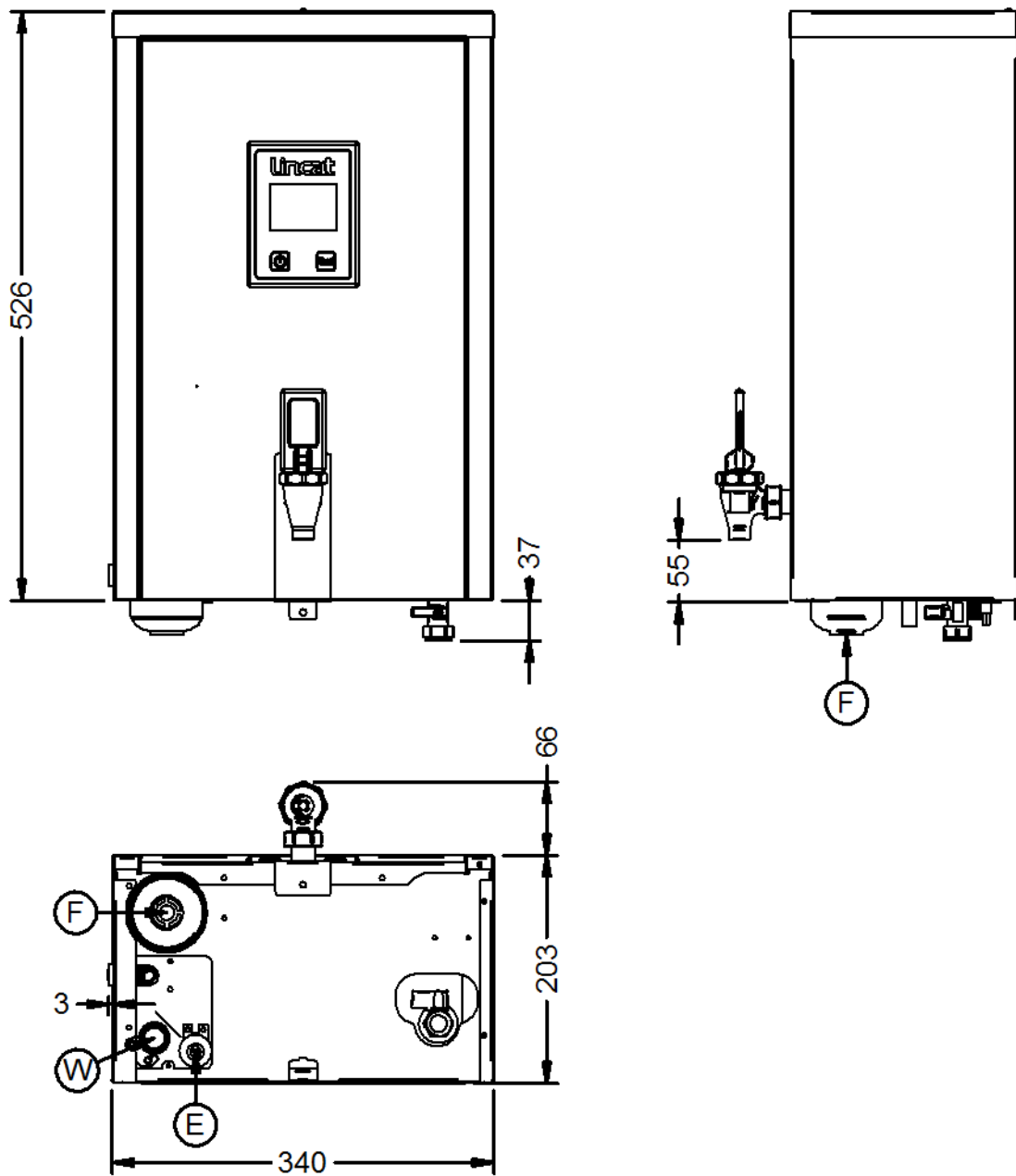
Available Accessories

DP10 DESCALER POWDER

Available Accessories

| | |
|------|---|
| DR95 | NULL |
| FC04 | Filter Cartridge for Lincat FilterFlow Water Boiler |

Technical Picture





Lincat Limited

Whisby Road,
Lincoln, LN6 3QZ,
United Kingdom

Company No: 2175448

A member company of



Customer Care

Tel: +44 1522 875500
Email: care@lincat.co.uk

Export Customers

Tel: +44 1522 875536
Email: export@lincat.co.uk

Opening Hours

Monday – Friday:
8.30am – 5pm