



## OE8601 - Lincat Opus 800 Electric Counter-top Bain Marie - Wet Heat - Gastronorms - W 400 mm - 1.8 kW

Hold sauces and soups at the perfect temperature with the Opus 800 Electric Wet Heat Bain Marie Base Unit.

- ✓ Compatible with standard GN 1/1 containers
- ✓ Unique, easy-to-clean flush fitting plate element
- ✓ Accurate thermostatic control maintains food at a constant and safe temperature
- ✓ Boil dry protection feature prevents element from overheating and failing
- ✓ Front mounted tap for easy drainage

### Specifications

#### Summary

<b>Brand</b>	Lincat
<b>Range</b>	Opus 800
<b>Power Type</b>	Electric
<b>Unit Type</b>	Counter-top
<b>Available in UK Only</b>	No
<b>UK Warranty</b>	2 Years Parts and Labour Warranty
<b>Export Warranty</b>	Contact your local dealer
<b>GTIN</b>	5056105102649

#### Power and Performance

<b>Total Power kW</b>	1.80
<b>IP Rating</b>	IP24
<b>Temperature Control</b>	Mechanical

#### Key Specifications

<b>Drain Location</b>	Front-mounted
<b>Pot Type</b>	Gastronorm
<b>Type of Heat</b>	Wet

#### Capacity

<b>Gastronorm Capacity</b>	1 x GN1/1
----------------------------	-----------

#### Weights and Dimensions

<b>Unit Height (External) mm</b>	300
<b>Unit Width (External) mm</b>	400
<b>Unit Depth (External) mm</b>	800
<b>Net Weight Kg</b>	17

#### Supply Connections

<b>Requires Installation</b>	No
<b>Requires Electrical Supply</b>	Yes
<b>UK 3 Pin Plug</b>	Yes
<b>Requires Hardwiring</b>	No
<b>Electrical Supply Rating Watts</b>	1,800
<b>Single Phase Amps</b>	7.8
<b>Single Phase Voltage</b>	230

#### Shipping

<b>Packed Weight Kg</b>	18.7
<b>Packed Height cm</b>	42
<b>Packed Width cm</b>	85
<b>Packed Depth cm</b>	45

### Available Accessories

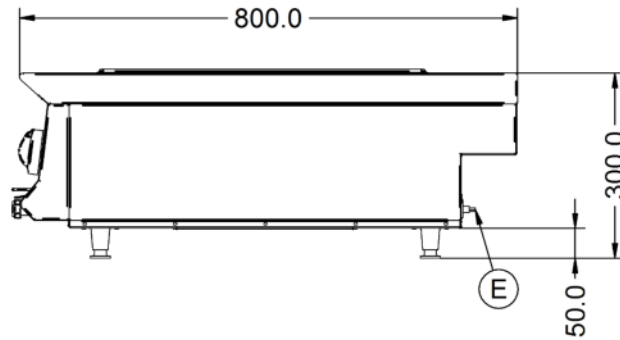
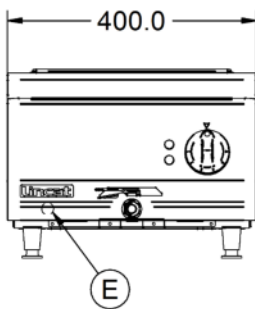
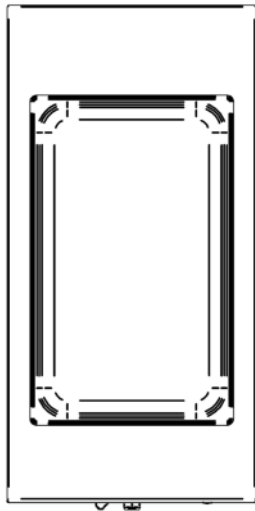
<b>LK11</b>	OPUS 800 LONG LEG KIT
<b>OA8921</b>	Lincat Opus 800 Free-standing Floor Stand with Legs - for units W 400 mm
<b>OA8926</b>	GASTRONORM & LID
<b>OA8927</b>	GASTRONORM & LID
<b>OA8928</b>	GASTRONORM & LID

Available Accessories

OA8971

Lincat Opus 800 Free-standing Pedestal with Doors and Legs - for units W 400 mm

Technical Picture





**Lincat Limited**

Whisby Road,  
Lincoln, LN6 3QZ,  
United Kingdom

**Company No:** 2175448

A member company of



**Customer Care**

**Tel:** +44 1522 875500  
**Email:** care@lincat.co.uk

**Export Customers**

**Tel:** +44 1522 875536  
**Email:** export@lincat.co.uk

**Opening Hours**

**Monday – Friday:**  
8.30am – 5pm