



OG8002/N - Lincat Opus 800 Natural Gas Free-standing Oven Range - 6 Burners - W 900 mm - 55.0 kW

This powerful Opus 800 gas oven range is built to deliver high volumes of top quality food and will withstand the rigours of even the busiest kitchen.

- ✓ Powerful 7.5kW dual concentric burners for focused heat distribution from a fast boil to a low simmer
- ✓ Individual heavy-duty single cast iron supports, built to withstand the rigours of the busiest kitchen
- ✓ Low flue to allow use of the complete hob top
- ✓ Powerful 9.5kW oven
- ✓ Large 4 x GN1/1 capacity oven enabling four different foods to be cooked simultaneously
- ✓ Gas Oven Ranges

Specifications

Summary

| | |
|-----------------------------|-----------------------------------|
| Brand | Lincat |
| Range | Opus 800 |
| Power Type | Gas |
| Gas Type | Natural Gas |
| Unit Type | Free-standing |
| Available in UK Only | No |
| UK Warranty | 2 Years Parts and Labour Warranty |
| Export Warranty | Contact your local dealer |
| GTIN | 5056105102205 |

Power and Performance

| | |
|--|------------|
| BTU per Hour | 187,660 |
| Total Power kW | 55.0 |
| Temperature Range °C | 120-260 |
| Cooking Area (Width x Depth) mm | 900 x 600 |
| Temperature Control | Mechanical |
| Rating per Hob kW | 7.5 |
| Oven Rating kW | 10.0 |

Key Specifications

| | |
|-----------------------------------|--------|
| Number of Shelves included | 2 |
| Number of Shelf Positions | 5 |
| Number of Hobs | 6 |
| Shape of Hob | Square |

Capacity

| | |
|----------------------------|-----------|
| Gastronorm Capacity | 4 x GN1/1 |
|----------------------------|-----------|

Weights and Dimensions

| | |
|----------------------------------|-----------|
| Unit Height (External) mm | 920 |
| Unit Width (External) mm | 900 |
| Unit Depth (External) mm | 800 |
| Height (Internal) mm | 405 |
| Width (Internal) mm | 715 |
| Depth (Internal) mm | 530 |
| Shelf Dimensions Width mm | 710 |
| Shelf Dimensions Depth mm | 512 |
| Hob Dimensions mm | 300 x 300 |
| Net Weight Kg | 136.4 |

Supply Connections

| | |
|---|---------|
| Requires Installation | Yes |
| Requires Electrical Supply | No |
| Gas Connection BSP | 3/4" |
| Gas Consumption at full rate Natural m³ per Hour | 5.19 |
| Gas Pressure Natural mbar | 20 |
| Total heat input at full rate Natural kW | 54.5 |
| Total heat input at full rate Natural BTU per hour | 185,954 |

Shipping

| | |
|-------------------------|--------|
| Packed Weight Kg | 150.04 |
| Packed Height cm | 107 |
| Packed Width cm | 100 |
| Packed Depth cm | 85 |

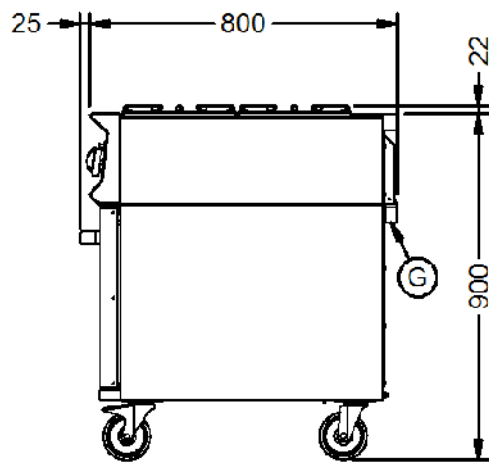
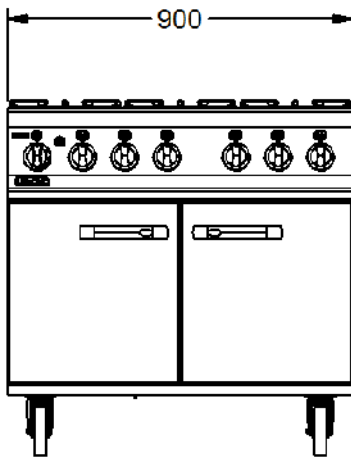
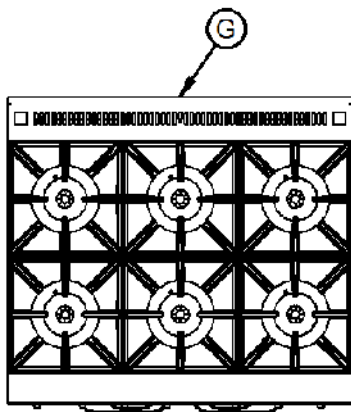
Available Accessories

Available Accessories

OA8902

SPLASHBACK/SHELF - OG8002

Technical Picture





Lincat Limited

Whisby Road,
Lincoln, LN6 3QZ,
United Kingdom

Company No: 2175448

A member company of



Customer Care

Tel: +44 1522 875500
Email: care@lincat.co.uk

Export Customers

Tel: +44 1522 875536
Email: export@lincat.co.uk

Opening Hours

Monday – Friday:
8.30am – 5pm