



## OG8005/N - Lincat Opus 800 Natural Gas Free-standing Solid Top Oven Range - W 900 mm - 18.5 kW

Designed for ultimate accuracy and versatility, the Opus 800 Solid Top Range with Cast Iron Plate provides chefs with more flexibility when it comes to the size and number of pans used.

- ✓ Ultimate flexibility use the smallest of pans to the largest of stock pots - Use the central area for rapid boiling and outer areas for simmering and holding
- ✓ Powerful 10kW dual Burner produces consistent heat gradient throughout the plate
- ✓ Profiled underside of cast iron top for optimum heat circulation
- ✓ Low flue to allow use of the complete hob top
- ✓ Powerful 9.5kW oven
- ✓ Gas Solid Top Range

### Specifications

Summary		Power and Performance	
<b>Brand</b>	Lincat	<b>BTU per Hour</b>	63,122
<b>Range</b>	Opus 800	<b>Total Power kW</b>	18.5
<b>Power Type</b>	Gas	<b>Temperature Range °C</b>	120-260
<b>Gas Type</b>	Natural Gas	<b>Cooking Area (Width x Depth) mm</b>	900 x 600
<b>Unit Type</b>	Free-standing	<b>Temperature Control</b>	Mechanical
<b>Available in UK Only</b>	No	<b>Rating per Hob kW</b>	9.0
<b>UK Warranty</b>	2 Years Parts and Labour Warranty	<b>Oven Rating kW</b>	9.5
<b>Export Warranty</b>	Contact your local dealer		
<b>GTIN</b>	5056105102281		

Key Specifications		Capacity	
<b>Number of Shelves included</b>	2	<b>Gastronorm Capacity</b>	4 x GN1/1
<b>Number of Shelf Positions</b>	4		
<b>Number of Hobs</b>	2		
<b>Shape of Hob</b>	Square		

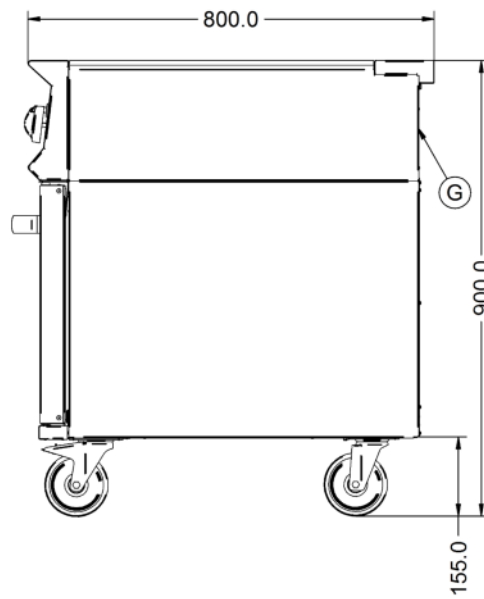
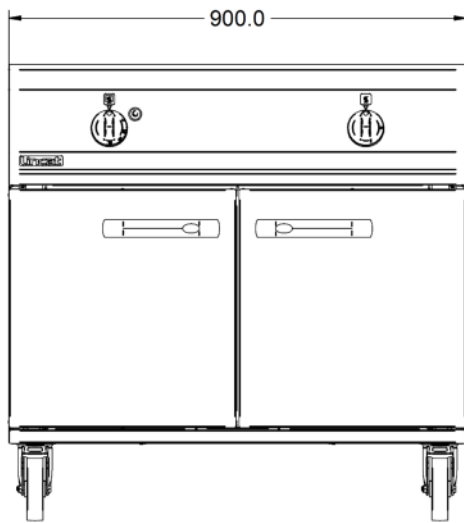
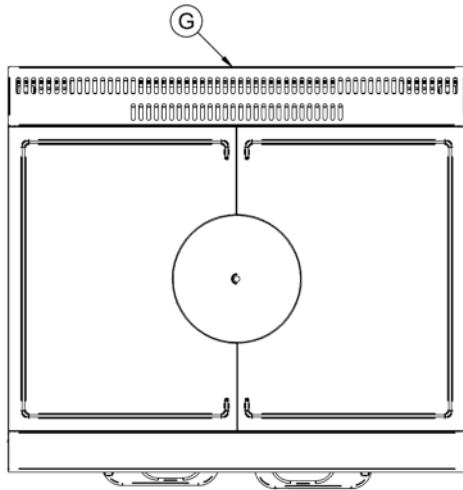
Weights and Dimensions		Supply Connections	
<b>Unit Height (External) mm</b>	900	<b>Requires Installation</b>	Yes
<b>Unit Width (External) mm</b>	900	<b>Requires Electrical Supply</b>	No
<b>Unit Depth (External) mm</b>	800	<b>Gas Connection BSP</b>	3/4"
<b>Height (Internal) mm</b>	405	<b>Gas Consumption at full rate Natural m³ per Hour</b>	1.76
<b>Width (Internal) mm</b>	715	<b>Gas Pressure Natural mbar</b>	20
<b>Depth (Internal) mm</b>	530	<b>Total heat input at full rate Natural kW</b>	18.5
<b>Shelf Dimensions Width mm</b>	710	<b>Total heat input at full rate Natural BTU per hour</b>	63,125
<b>Shelf Dimensions Depth mm</b>	512		
<b>Hob Dimensions mm</b>	600 x 450		
<b>Net Weight Kg</b>	154,5		

Shipping	
<b>Packed Weight Kg</b>	169.95
<b>Packed Height cm</b>	103
<b>Packed Width cm</b>	100
<b>Packed Depth cm</b>	85

Available Accessories

- LK06 OPUS 800 LEG KIT
- OA8980 SPLASHBACK/SHELF - OG8005

Technical Picture





**Lincat Limited**

Whisby Road,  
Lincoln, LN6 3QZ,  
United Kingdom

**Company No:** 2175448

A member company of



**Customer Care**

**Tel:** +44 1522 875500  
**Email:** care@lincat.co.uk

**Export Customers**

**Tel:** +44 1522 875536  
**Email:** export@lincat.co.uk

**Opening Hours**

**Monday – Friday:**  
8.30am – 5pm