



PHER01 - Lincat Phoenix Electric Free-standing Induction Oven Range - 6-Zone - W 900 mm - 17.1 kW [3-Phase]

With six 1.85kW induction zones and a six GN1/1 large capacity oven, the Phoenix Electric Induction Oven is all about flexibility.

- ✔ Six 1.85kW zones. When you need intense heat to get you cooking fast zones can be boosted to 3kW for up to 10 minutes. Power to the other zones will drop during the boost period.
- ✔ Large 6 x GN1/1 capacity twin fan assisted oven enabling six different foods to be cooked simultaneously
- ✔ Incredible efficiency, automatically cutting power when no pan is present, reducing running costs and providing a more comfortable kitchen environment
- ✔ Easy to clean, heavy duty 6mm thick high impact resistant glass ceramic surface
- ✔ Highly insulated oven reducing heat loss and ensuring a more consistent temperature

Specifications

Summary

Brand	Lincat
Range	Phoenix
Power Type	Electric
Unit Type	Free-standing
Available in UK Only	No
UK Warranty	2 Years Parts and Labour Warranty
Export Warranty	Contact your local dealer
GTIN	5056105116400

Power and Performance

Total Power kW	17.1
Temperature Range °C	50-250
IP Rating	IP24
Cooking Area (Width x Depth) mm	190 dia. x 6
Temperature Control	Mechanical
Rating per Hob kW	1.85
Oven Rating kW	6.0

Key Specifications

Number of Shelves included	3
Number of Shelf Positions	5
Number of Hobs	6
Shape of Hob	Round

Capacity

Gastronorm Capacity	6 x GN1/1
----------------------------	-----------

Weights and Dimensions

Unit Height (External) mm	923
Unit Width (External) mm	900
Unit Depth (External) mm	817
Height (Internal) mm	410
Width (Internal) mm	725
Depth (Internal) mm	512
Shelf Dimensions Width mm	706
Shelf Dimensions Depth mm	512
Hob Dimensions mm	190
Net Weight Kg	125

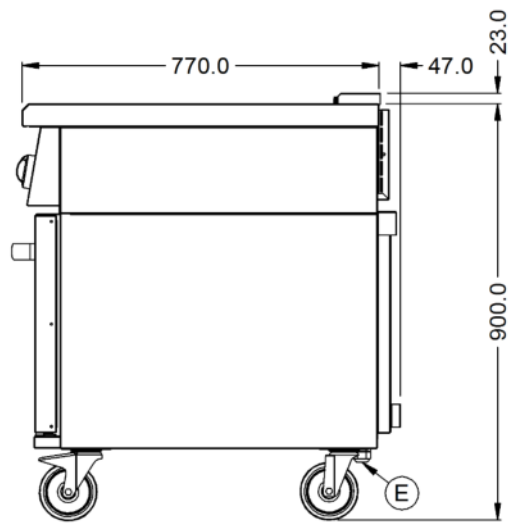
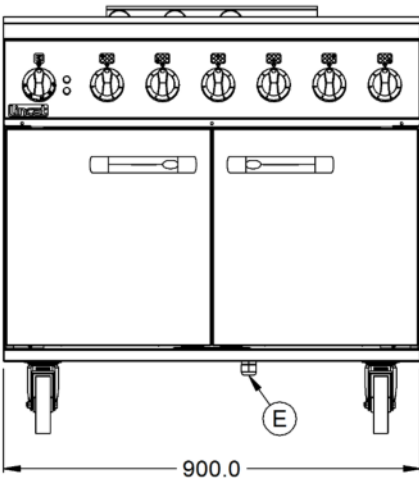
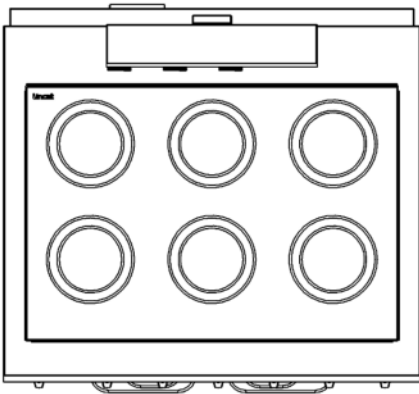
Supply Connections

Requires Installation	Yes
Requires Electrical Supply	Yes
UK 3 Pin Plug	No
Requires Hardwiring	Yes
Electrical Supply Rating Watts	17,100
Three Phase Amps	L1=25.0; L2=25.0; L3=25.0
Three Phase Voltage	400

Shipping

Packed Weight Kg	137.5
Packed Height cm	104
Packed Width cm	100
Packed Depth cm	85

Technical Picture





Lincat Limited

Whisby Road,
Lincoln, LN6 3QZ,
United Kingdom

Company No: 2175448

A member company of



Customer Care

Tel: +44 1522 875500
Email: care@lincat.co.uk

Export Customers

Tel: +44 1522 875536
Email: export@lincat.co.uk

Opening Hours

Monday – Friday:
8.30am – 5pm