



Display Refrigerator/ Freezer

Instruction manual



(EN) Refrigerators/Freezers	2	(DE) Kühlschrank/Gefrierschrank	26
Handleiding		Bedienungsanleitung	
(NL) Koelkast/Vrieskast	10	(IT) Frigorifero/Congelatore	34
Handleiding		Manuale di istruzioni	
(FR) Armoire positive/négative	18	(ES) Frigorífico/Congelador	42
Mode d'emploi		Manual de instrucciones	

**Model • Modèle • Modell • Modello • Modelo • Malli:
CD086/CD087/CD088/CB921**

Safety Instructions

- Position on a flat, stable surface.
- A service agent/qualified technician should carry out installation and any repairs if required. Do not remove any components or service panels on this product.
- Consult Local and National Standards to comply with the following:
 - Health and Safety at Work Legislation
 - BS EN Codes of Practice
 - Fire Precautions
 - IEE Wiring Regulations
 - Building Regulations
- DO NOT use jet/pressure washers to clean the appliance.
- DO NOT use the appliance outside.
- DO NOT use this appliance to store medical supplies.
- DO NOT allow oil or fat to come into contact with the plastic components or door seal. Clean immediately if contact occurs.
- DO NOT store products on top of the appliance.
- Bottles that contain a high percentage of alcohol must be sealed and placed vertically in the refrigerator.
- Always carry, store and handle the appliance in a vertical position and move by holding the base of the appliance.
- Always switch off and disconnect the power supply to the unit before cleaning.
- Keep all packaging away from children. Dispose of the packaging in accordance with the regulations of local authorities.
- If the power cord is damaged, it must be replaced by a POLAR agent or a recommended qualified technician in order to avoid a hazard.

- Children should be supervised to ensure that they do not play with the appliance.
- This appliance is not intended for use by persons (including children) with reduced physical, sensory or mental capabilities, or lack of experience or knowledge, unless they have been given supervision or instruction concerning the use of the appliance by a person responsible for their safety.
- POLAR recommend that this appliance should be periodically tested (at least annually) by a Competent Person. Testing should include, but not be limited to: Visual Inspection, Polarity Test, Earth Continuity, Insulation Continuity and Functional Testing.
- POLAR recommend that this product is connected to a circuit protected by an appropriate RCD (Residual Current Device).

Caution: Risk of Fire



- Do not store explosive substances such as aerosol cans with a flammable propellant in this appliance.



Warning: Keep all ventilation openings clear of obstruction. Unit should not be boxed in without adequate ventilation.

- **Warning:** Do not use mechanical devices or other means to accelerate the defrosting process, other than those recommended by the manufacturer.
- **Warning:** Do not damage the refrigerant circuit.
- **Warning:** Do not use electrical appliances inside the food storage compartments of the appliance.

Introduction

Please take a few moments to carefully read through this manual. Correct maintenance and operation of this machine will provide the best possible performance from your POLAR product.

Pack Contents

The following is included:

- POLAR Refrigerator / Freezer
- Shelves
- Keys x 2
- Spacers x 2
- Instruction Manual

POLAR prides itself on quality and service, ensuring that at the time of unpacking the contents are supplied fully functional and free of damage.

Should you find any damage as a result of transit, please contact your POLAR dealer immediately.

Installation

Note: A bracket is used to support the door during transportation. On receipt please remove the bracket.

Note: Not for use in vans or trailers, food trucks or similar vehicles.

If the unit has not been stored or moved in an upright position, let it stand upright for approximately 12 hours before operation. If in doubt allow to stand.

1. Remove the appliance from the packaging. Make sure that all protective plastic film and coatings are thoroughly removed from all surfaces.
2. To optimize performance and longevity, ensure a minimum clearance of 2.5cm is maintained between the unit and walls and other objects, with a minimum 20cm clearance on the top. **NEVER LOCATE NEXT TO A HEAT SOURCE.**

Note: Before using the appliance for the first time, clean the shelves and interior with soapy water then dry well.

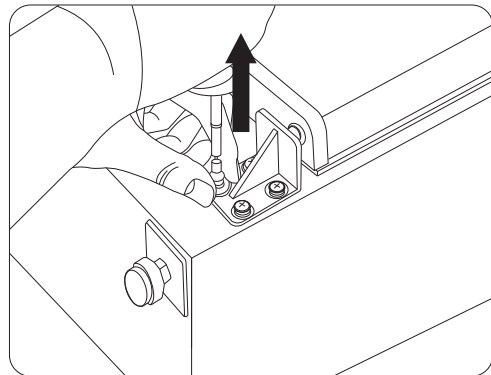
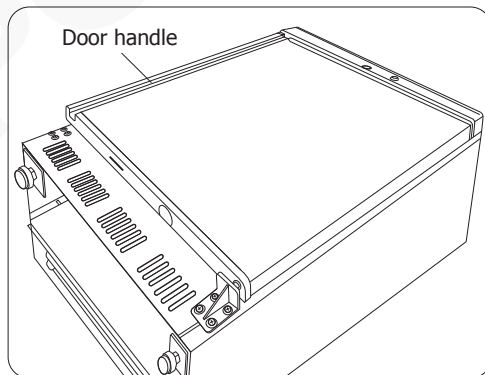
The appliance is supplied with feet by default. However, castors can be supplied as an option from serial number range: 8124199-UK / 8128873-EU onwards.

Reversing the door (excluding model CB921)

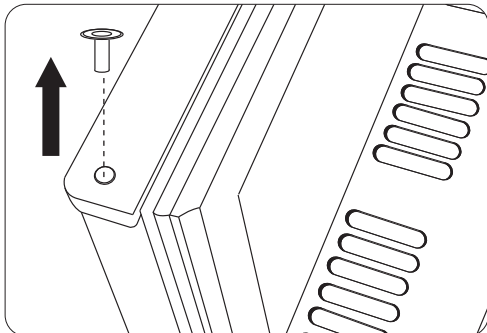
Depending on the location of the appliance, it may be necessary to change the direction the door opens by changing the side of the door handle. (Tip: Images in this section are for illustration only and may slightly differ from the actual appliance appearances.)

To reverse the door handle:

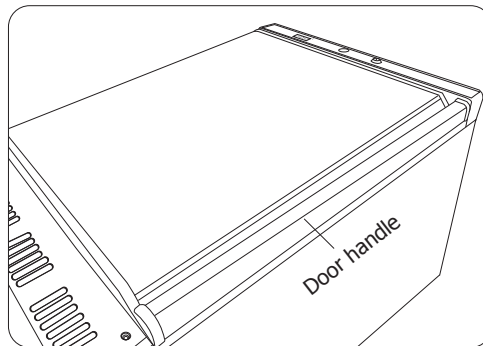
1. The door handle is on the left side. Disassemble the right lower hinge.



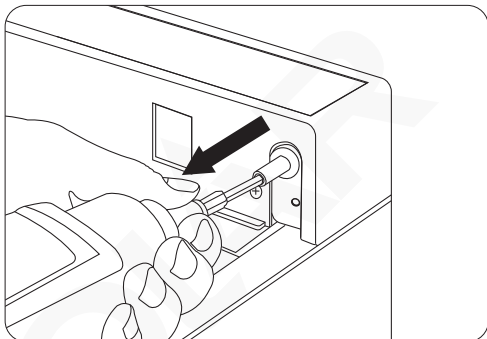
2. Remove the door from the right upper hinge. Then remove the hinge sleeve from the door top.



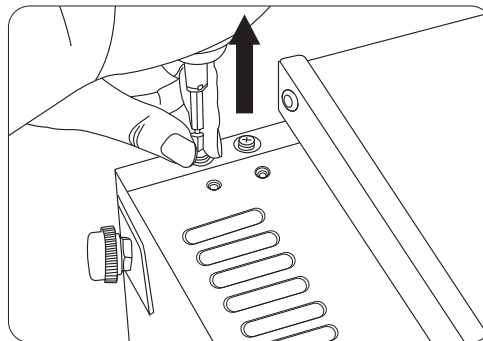
4. Reverse the door and hang it onto the left upper hinge.



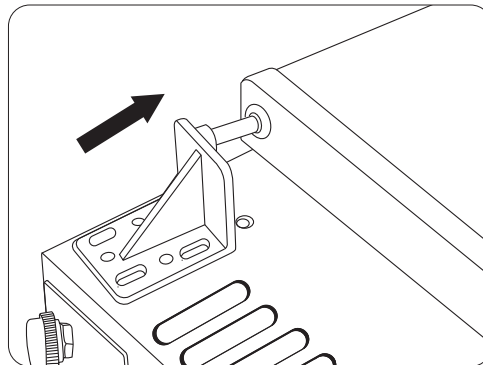
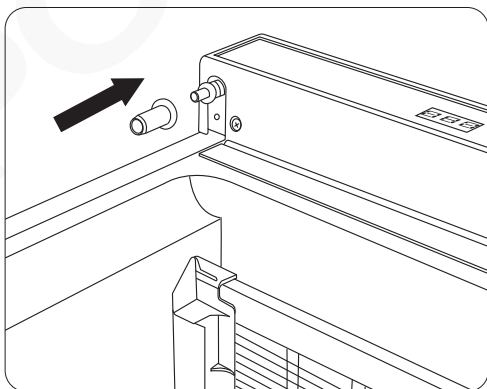
3. Remove the right upper hinge and install it on the left side. Afterwards, install the hinge sleeve onto the hinge.



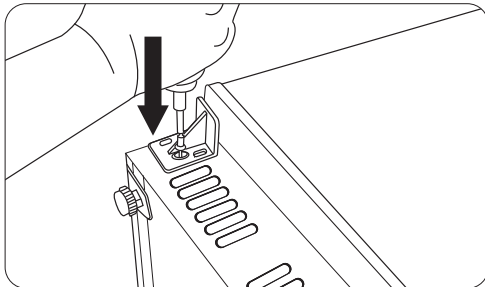
5. Remove the pre-mounted screws on the left lower side.



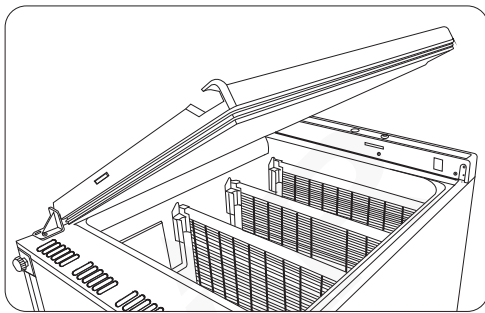
6. Install the previously removed right lower hinge on the left side.



- Secure the hinge in place using the previously removed screws.



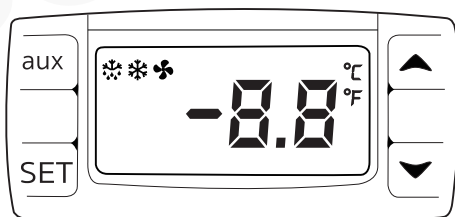
- Now the door handle is installed on the right side.



Operation

Control Panel

The control panel is located on the front of the appliance.



Turn On

- Close the door of the appliance.
- Connect the appliance to a mains power supply.

Set the Operating Temperature

- Press the **SET** button for 3 seconds. The display will flash.
- Press the ▲ or ▼ buttons to display the required temperature.
- Press the **SET** button to store the temperature.

Manual Defrost

Press and hold the defrost button "aux" for 2 seconds to begin a manual defrost. The defrost light illuminates.

Storing Food

To get the best results from your POLAR appliance, follow these instructions:

- Only store foodstuffs in the appliance when it has reached the correct operating temperature.
- Do not place uncovered items as below inside the appliance, as this can lead to a damaged and leaking evaporator, and thus void your warranty: hot food, hot liquids, acidic fluids, acidic products.
- Wrap or cover food where possible.
- Do not obstruct the fans inside the appliance.
- Avoid opening the doors for prolonged periods of time.

Lock/Unlock the Doors

- A lock is fitted to the doors to ensure foodstuffs are kept secure within your POLAR appliance.
- Use the keys provided to lock/unlock the door.

Cleaning, Care & Maintenance

- Switch off and disconnect from the power supply before cleaning.
- Clean the interior of the appliance as often as possible.
- Do not use abrasive cleaning agents. These can leave harmful residues.
- Clean the door seal with warm soapy water.
- Always wipe dry after cleaning.
- Do not allow water used in cleaning to run through the drain hole into the evaporation pan.
- Take care when cleaning the rear of the appliance. Sharp edges can cut.

Condensation will form in refrigeration with frequent opening of the doors and on hot humid days, please ensure condensation is allowed to drain properly or is wiped dry.

Cleaning the Condenser

Periodically cleaning the condenser can extend the life of the appliance. POLAR recommend that a POLAR agent or qualified technician should clean the condenser.

Note: if the condenser coil is not cleaned at least 4 times a year, the efficiency of the appliance will decrease significantly.

Troubleshooting

A qualified technician must carry out repairs if required.

Fault	Probable Cause	Solution
The appliance is not working	The unit is not switched on	Check the unit is plugged in correctly and switched on
	Plug or lead is damaged	Replace Plug or lead
	Fuse in the plug has blown	Replace the fuse
	Mains power supply fault	Check mains power supply
The appliance turns on, but the temperature is too high/low	Too much ice on the evaporator	Defrost the appliance
	Condenser blocked with dust	Clean the condenser
	Doors are not shut properly	Check doors are shut and seals are not damaged
	Appliance is located near a heat source or air flow to the condenser is being interrupted	Move the refrigerator to a more suitable location
	Ambient temperature is too high	Increase ventilation or move appliance to a cooler position
	Unsuitable foodstuffs are being stored in the appliance	Remove any excessive hot foodstuffs or blockages to the fan
	Appliance is overloaded	Reduce the amount of food stored in the appliance
The appliance is leaking water	The appliance is not properly levelled	Adjust the screw feet to level the appliance (if applicable)
	The discharge outlet is blocked	Clear the discharge outlet
The appliance is leaking water	Movement of water to the drain is obstructed	Clear the floor of the appliance (if applicable)
	The water container is damaged	Call POLAR agent or qualified Technician
	The drip tray is overflowing	Empty the drip tray (if applicable)
The appliance is unusually loud	Loose nut/screw	Check and tighten all nuts and screws
	The appliance has not been installed in a level or stable position	Check installation position and change if necessary
Display lamp does not light	Lamp needing replacing	Call POLAR agent or qualified Technician

Technical Specifications

Note: Due to our continuing program of research and development, the specifications herein may subject to change without notice.

Model	Voltage	Power	Current	Temperature Range	Gross Capacity (L)	Net usable capacity (L)	Refrigerant	Dimensions H x W x D mm	Weight (kg)
CD086	230V 50Hz	150W	1.1A	2°C ~ 8°C	150	118	R600a	855 x 600 x 619	47
CD087		185W	1.5A	2°C ~ 8°C	400	246	R600a	1850 x 600 x 600	72
CD088		185W	1.5A	2°C ~ 8°C	600	414	R600a	1895 x 777 x 735	93
CB921		500W	2.35A	-10°C ~ -20°C	365	258	R290	1855 x 600 x 620	76

Impact of temperature settings on food waste:

In order to reduce food waste from decomposition or dehydration, this appliance should be operated in its designated operating range.

Optimum temperature for food storage: 4°C (CD086/CD086/CD088), -18°C (CB921)

To order spare parts please contact your Polar Stockist:

<https://www.polar-refrigerator.com/stockist>



Minimum period of spares parts to be available:

Door handles, door hinges, knobs, dials and buttons, door gaskets, peripheral trays, baskets and racks for storage, as appropriate to the appliance, will be made available to both end users and professional users for a minimum of eight years after the last unit of the model is placed on the market. A broader selection of parts will also be made available to Professional users for this period

Model information can be found on the product database:

<https://eprel.ec.europa.eu/screen/product/refrigeratingappliancesdirectsalesfunction>



Model information can be found on the product:

The Model Identifier can usually be found on the inside wall and on the reverse of the unit.

Note: Polar offers a 2 year minimum warranty, please contact the authorised representative for more details.

Electrical Wiring

The appliance is supplied with a 3 pin BS1363 plug and lead.

The plug is to be connected to a suitable mains socket.

The appliance is wired as follows:

- Live wire (coloured brown) to terminal marked L
- Neutral wire (coloured blue) to terminal marked N
- Earth wire (coloured green/yellow) to terminal marked E

This appliance must be earthed.



If in doubt consult a qualified electrician.

Electrical isolation points must be kept clear of any obstructions. In the event of any emergency disconnection being required they must be readily accessible.

Disposal

EU regulations require refrigeration product to be disposed of by specialist companies who remove or recycle all gasses, metal and plastic components.

Consult your local waste collection authority regarding disposal of your appliance. Local authorities are not obliged to dispose of commercial refrigeration equipment but may be able to offer advice on how to dispose of the equipment locally.

Alternatively call the POLAR helpline for details of national disposal companies within the EU.

Compliance

The WEEE logo on this product or its documentation indicates that the product must not be disposed of as household waste. To help prevent possible harm to human health and/or the environment, the product must be disposed of in an approved and environmentally safe recycling process. For further information on how to dispose of this product correctly, contact the product supplier, or the local authority responsible for waste disposal in your area.



POLAR parts have undergone strict product testing in order to comply with regulatory standards and specifications set by international, independent, and federal authorities.

POLAR products have been approved to carry the following symbol:



All rights reserved. No part of these instructions may be produced or transmitted in any form or by any means, electronic, mechanical, photocopying, recording or otherwise, without the prior written permission of POLAR.
Every effort is made to ensure all details are correct at the time of going to press, however, POLAR reserve the right to change specifications without notice.

DECLARATION OF CONFORMITY

• Conformanceverklaring • Déclaration de conformité • Konformitätserklärung • Dichiarazione di conformità •
• Declaración de conformidad

Equipment Type • Uitrustingstype • Type d'équipement • Gerätetyp • Tipo di apparecchiatura • Tipo de equipo			Model • Modèle • Modell • Modello • Modelo		
C-Series Fridge 1. Stainless Steel Under Counter 150Ltr 2. Stainless Steel Upright 400Ltr 3. Stainless Steel Upright 600Ltr 4. White Under Counter 150Ltr 5. White Upright 400Ltr 6. White Upright 600Ltr	C-Series Freezer 7. Stainless Steel Under Counter 140Ltr 8. Stainless Steel Upright 365Ltr 9. Stainless Steel Upright 600Ltr 10. White Under Counter 140Ltr 11. White Upright 365Ltr 12. White Upright 600Ltr	C-Series Display 13. White Under Counter Fridge 150Ltr 14. White Upright Fridge 400Ltr 15. White Upright Fridge 600Ltr 16. White Upright Freezer 365Ltr	1. CD080 2. CD082 3. CD084 4. CD610 5. CD612 6. CD614	7. CD081 8. CD083 9. CD085 10. CD611 11. CD613 12. CD615 (including -E & -A models)	13. CD086 14. CD087 15. CD088 16. CB921
Application of Territory Legislation & Council Directives(s) Toepassing van Europese Richtlijn(en) • Application de la/des directive(s) du Conseil • Anwendbare EU-Richtlinie(n) • Applicazione delle Direttive • Aplicación de la(s) directiva(s) del consejo		Machinery Directive 2006/42/EC Supply of Machinery (Safety) Regulations 2008 EN 60335-1:2012 +A11:2014 +A13:2017 +A1:2019 +A14:2019 +A2:2019* EN 60335-2-89:2010 +A1:2016 +A2:2017 EN 62233:2008 Electro-Magnetic Compatibility (EMC) Directive 2014/30/EU - recast of 2004/108/EC Electromagnetic Compatibility Regulations 2016 (S.I. 2016/1091) EN 55014-1: 2017 EN 55014-2:2015 EN 61000-3-2: 2014 EN 61000-3-3: 2013 Regulation (EU) 2015/1095 - Ecodesign professional refrigerators EN 16825: 2016 +A1:2019 Regulation (EU) 2019/2024 - Ecodesign direct sales refrigerators ISO 23953-2:2015 Restriction of Hazardous Substances Directive (RoHS) 2015/863 amending Annex II to Directive 2011/65/EU Restriction of the Use of Certain Hazardous Substances in Electrical and Electronic Equipment Regulations 2012 (S.I. 2012/3032)		Electrical Safety IEC 60335-1:2010 +A1:2013 +A2:2016 IEC 60335-2-89:2010 +A1:2012 +A2:2015 Electromagnetic Compatibility EN 55014-1: 2017 EN 55014-2:2015 EN 61000-3-2: 2014 EN 61000-3-3: 2013	
*CB921 (8-E) – EN60335-1:2012 +A11:2014 +A13:2017 only					
Producer Name • Naam fabrikant • Nom du producteur • Name des Herstellers • Nome del produttore • Nombre del fabricante			Polar		

I, the undersigned, hereby declare that the equipment specified above conforms to the above Territory Legislation, Directive(s) and Standard(s).
 Ik, de ondergetekende, verklaar hierbij dat de hierboven gespecificeerde uitrusting goedgekeurd is volgens de bovenstaande Richtlijn(en) en Standaard(en).
 Je soussigné, confirme la conformité de l'équipement cité dans la présente à la / aux Directive(s) et Norme(s) ci-dessus.
 Ich, der/die Unterzeichnende, erkläre hiermit, dass das oben angegebene Gerät der/den oben angeführten Richtlinie(n) und Norm(en) entspricht.
 Il sottoscritto dichiara che l'apparecchiatura di sopra specificata è conforme alle Direttive e agli Standard sopra riportati.
 El abajo firmante declara por la presente que el equipo arriba especificado está en conformidad con la(s) directiva(s) y estándar(es) arriba mencionadas.

Date • Data • Datum • Data • Fecha • Data

Signature • Handtekening • Signature • Unterschrift Firma • Firma

Full Name • Volledige naam • Nom et prénom • Vollständiger Name • Nome completo • Nombre completo

Position • Functie • Fonction • Position • Qualifica • Posición

Producer Address • Adres fabrikant • Adresse du producteur • Anschritt des Herstellers • Indirizzo del produttore • Dirección del fabricante

21st April 2022

DocuSigned by:  830392CFD5C478 Ashley Hooper	DocuSigned by:  D362874F7FAB490 Eoghan Donnellan	DocuSigned by:  D052C5937EB7465 Brendan Denneade
Technical & Quality Manager	Commercial Manager/ Importer	Commercial Manager/ Responsible Supplier
Fourth Way, Avonmouth, Bristol, BS11 8TB United Kingdom	Unit 9003, Blarney Bus. Park, Blarney, Co. Cork Ireland	15 Bagdally Road, Campbelltown NSW 2560

