

MP 450 Ultra Combi



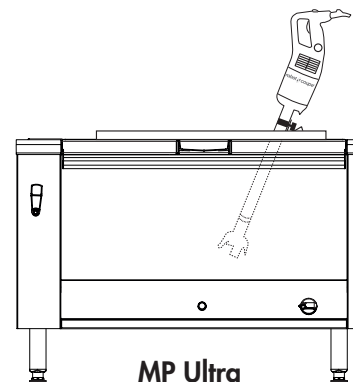
EasyPlug

D

Pan capacity

up to 100 litres

▶ Specially designed for intensive use in commercial/institutional catering



A

SALES DESCRIPTION

Ideal for blending soups and puréeing fruit and vegetables. Special institutional catering model intended for intensive use. In its Combi version, the whisk function can be used for mashed potato and pancake batter.

B

TECHNICAL DESCRIPTION

MP 450 Ultra Combi immersion blender. 230V/50Hz/1ph. Power: 500 W. Variable speed: 1,500 - 9,000 rpm (blender function) and 250 - 1,500 rpm (whisk function). 100% stainless-steel blades, bell and tube (total length: 450 mm). "EasyPlug" system with detachable power cord

C

TECHNICAL CHARACTERISTICS

Effective output	500 W
Electrical data	230V/50Hz/1ph 2.1 A – plug supplied
Variable speed	1,500 - 9,000 rpm (blender function) 250 - 1,500 rpm (whisk function)
Recyclability	95%
Net weight	6.1 kg
Reference	34871L

STANDARDS

EN 12100-1 & 2-2004, EN 60204-1-2006, EN 12853, EN 60529-2000 : IP55 & IP34



E

CHARACTERISTICS AND BENEFITS

MOTOR UNIT

- Power 500 W
- Stainless-steel motor unit with air vents in the top section only to ensure watertightness
- Lug on motor housing serves as a rest and pivot on the pan rim for greater user comfort
- Variable speed 1,500 - 9,000 rpm (blender function) and 250 - 1,500 rpm (whisk function)
- Self-regulating speed system
- New patented "EasyPlug" system making it easier to replace the power cord during after-sales servicing
- Cord winding system for tidy storage and optimum lifespan

TUBE AND BELL

- 100% stainless-steel blades, bell and tube (total length: 450 mm)
- Foot with detachable bell and blades (patented system exclusive to Robot-Coupe)
- Watertight bell design for optimum lifespan
- Even sturdier all-metal housing for whisk attachment to cope with very thick mixtures

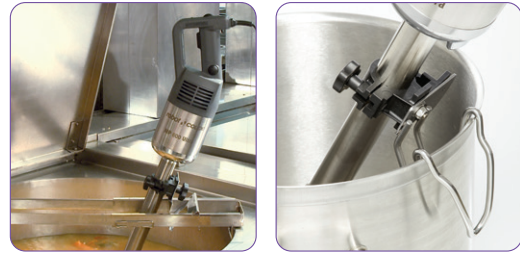
STANDARD ATTACHMENTS

- Wall-mounted immersion blender holder
- Tool for fixing and detaching the blades

# MP 450 Ultra Combi

**F** OPTIONAL ATTACHMENTS

- 3 adjustable stainless-steel pan supports:
  - Ref. 27363 – for pans with a diameter of 330 650 mm
  - Ref. 27364 – for pans with a diameter of 500 1000 mm
  - Ref. 27365 – for pans with a diameter of 850 1300 mm
- 1 universal pan support:
  - Ref. 27358 – screws onto pan rim



**G** DRAWINGS & DIMENSIONS

230 V / 50 Hz / 1 ph – power cord and plug supplied

