

Induction Hob – SLI21

Key Features

- Type: Electric
- Twin zones: front / rear layout
- Rotary controls
- Power-on neon
- LED display of power level 1-9
- Power boost function
- Auto heat up function
- Residual heat warning display
- No-pan-present display
- Easy-change filter
- Easy clean Silverlink profile
- In-built cooling fans
- Overheat protection
- 13 amp plug and lead
- Compatible with ambient pedestals



SLI21

Construction

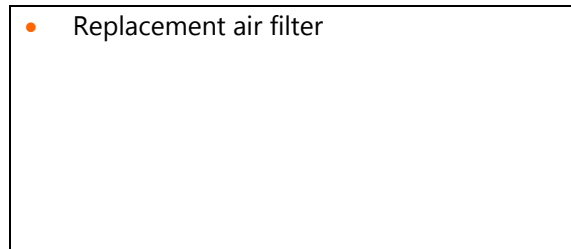
- Body: stainless steel grade 430
- Hob surface: 6mm thick Schott Ceran® ceramic glass

Available Options



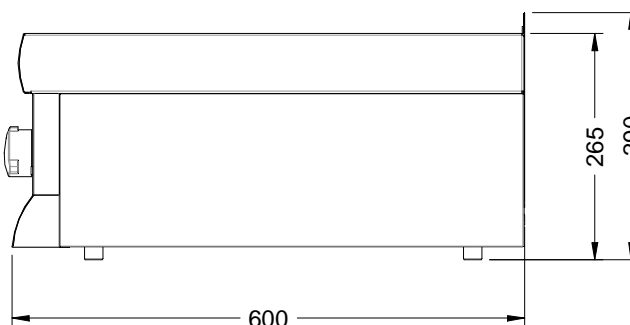
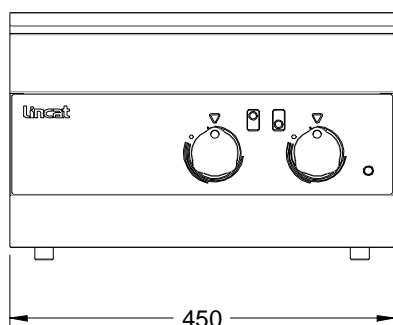
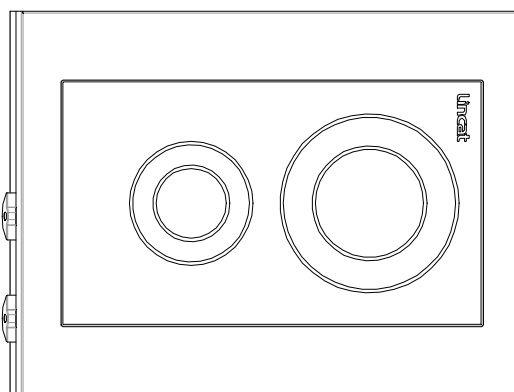
Available Accessories

- Replacement air filter



Specifications

| Model | SLI21 |
|--|---------------|
| External height (mm) | 290 |
| External width (mm) | 450 |
| External depth (mm) | 600 |
| Net weight unpacked (kg) | 18.1 |
| Gross weight packed (kg) | 19 |
| Shipping volume (m ³) | 0.214 |
| Hob | 2 zones |
| Electrical supply 1N~+E | 230V/1ph/50Hz |
| Total power rating | 13 A |
| Heat input rear zone, normal (kW) | 2.0 |
| Heat input rear zone, boost * (kW) | 3.0 |
| Heat input front zone, normal (kW) | 1.0 |
| Heat input front zone, boost * (kW) | 1.8 |
| (*) Max total heat input cannot exceed 3kW | |



Lincat Limited, Whisby Road,
Lincoln LN6 3QZ,
United Kingdom

UK Sales Tel: 01522 875500 UK Spares Tel: 01522 875510 UK General Tel: 01522 875555
 UK Fax: 01522 875530 International Sales Tel: +44 1522 503250 International Fax: +44 1522 875530
 Website: www.lincat.co.uk UK Sales e-mail: sales@lincat.co.uk International Sales e-mail: export@lincat.co.uk



Document ref:
SLI21-A003
Issue date: December 2014