

Induction Wok – SLI3W

Key Features

- Type: Electric
- Single wok layout
- Rotary control
- Power-on neon
- LED display of power level 1-9
- Power boost function
- Residual heat warning display
- No-pan-present display
- Easy-change filter
- Easy clean Silverlink profile
- In-built cooling fans
- Overheat protection
- 13 amp plug and lead
- Compatible with ambient pedestals

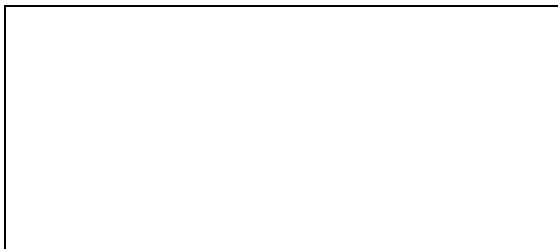


SLI3W

Construction

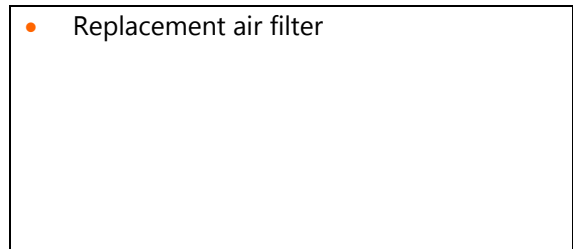
- Body: stainless steel grade 430
- Wok bowl: 6mm thick Schott Ceran® ceramic glass

Available Options



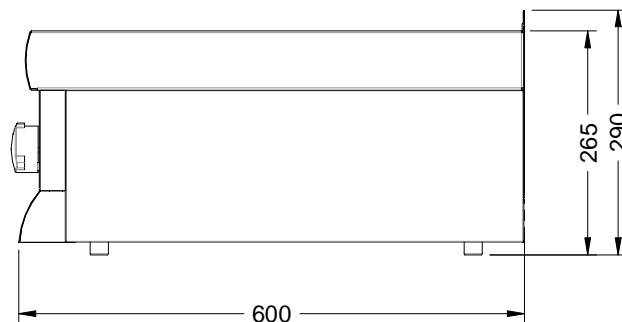
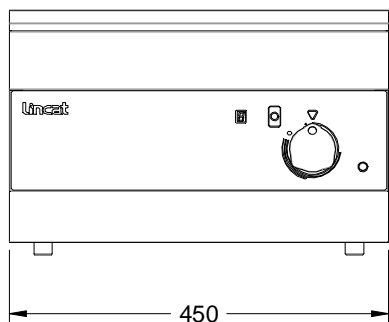
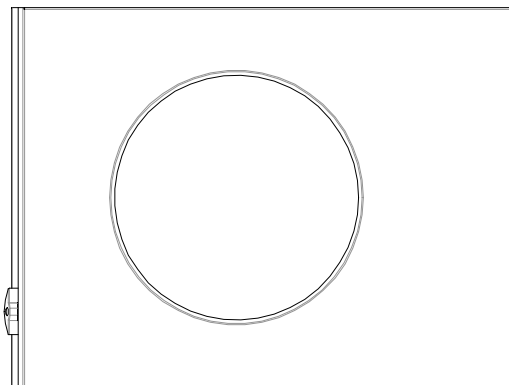
Available Accessories

- Replacement air filter



Specifications

Model	SLI3W
External height (mm)	290
External width (mm)	450
External depth (mm)	600
Net weight unpacked (kg)	16.6
Gross weight packed (kg)	20
Shipping volume (m ³)	0.214
Hob	1 zone
Electrical supply 1N~ +E	230V/1ph/50Hz
Total power rating	13 A
Heat input normal (kW)	2.4
Heat input boost * (kW)	3.0



Lincat Limited, Whisby Road,
Lincoln LN6 3QZ,
United Kingdom

UK Sales Tel: 01522 875500 UK Spares Tel: 01522 875510 UK General Tel: 01522 875555
 UK Fax: 01522 875530 International Sales Tel: +44 1522 503250 International Fax: +44 1522 875530
 Website: www.lincat.co.uk UK Sales e-mail: sales@lincat.co.uk International Sales e-mail: export@lincat.co.uk



Document ref:
SLI3W-A001
Issue date: December 2014