



# PASS-THROUGH WAREWASHER AX-100BC

Pass-through glass- and dishwasher. Rack size 500 x 500 mm and door clearance 430 mm.



WARE WASHING  
PASS-THROUGH WAREWASHERS



## SALES DESCRIPTION

Sani-Control: guaranteed disinfection. Constant high temperature rinse system for optimal disinfection. Exclusive Hydroblade™ washing arms: maximum effectiveness. 3-stage filtering system.

### Sani-Control guarantee

- ✓ GUARANTEED DISINFECTION in compliance with standard DIN 10534.
- ✓ THERMAL LOCK function: Ensures that rinsing will be carried out at the ideal temperature to disinfect the dishes.
- ✓ CONSTANT HIGH TEMPERATURE RINSE system for optimal disinfection.
- ✓ The PRESSURE PUMP guarantees effective high-pressure rinsing
- ✓ WRAS certified.

### New recessed bodywork

- ✓ Ergonomic design with rounded corners to prevent the accumulation of dirt and facilitate cleaning.
- ✓ Compact tank volume (50% water saving compared to the previous range).

### Hydroblade™ washing arms

- ✓ Redesigned nozzles for greater washing performance.
- ✓ The “monoblock” design delivers durability and resistance to impacts.
- ✓ 30% savings in water consumption during rinsing compared to the previous range.

### 3-stage filter system: surface, tank and extraction

- ✓ Keeps the washing water in optimal conditions to maintain constant washing performance.

### Designed to last

- ✓ “Flow” opening mechanism: allows the hood to be raised with less

effort

- ✓ High load capacity 43 cm: suitable for GN 1/1 and Euronorm
- ✓ Stainless steel surface filters for greater stability and resistance during intensive use

### Warewashing, made simple

- ✓ TEMPERATURE DISPLAY
- ✓ Control panel with IP65 humidity protection.

### You will never WASH ALONE

- ✓ Tech-Services: our team of technicians will help you so that your machine is always ready for use.
- ✓ Design Services: tell us what your needs are and we will advise you.
- ✓ 60 years of experience and know-how at your disposal.

## INCLUDES

- ✓ Detergent Dispenser.
- ✓ Drainage pump with level sensor. Proactive tank water renewal.
- ✓ Type-A air break. WRAS approved break tank.
- ✓ Rinse aid pump.
- ✓ 1 glasses basket.
- ✓ 1 mixed basket (plates).
- ✓ 1 cutlery basket.

## OPTIONAL

- Automatic resin regeneration water softener with salt detector.

## ACCESSORIES

- Tables for pass-through dishwashers
- Manual water softeners
- Automatic water softeners
- 500 x 500 mm baskets
- Inserts & supplements
- Central sorting tables
- Double connection central sorting table
- Prewashing tables for pass-through and rack conveyor dishwashers
- Connecting tables for pass-through dishwashers and rack conveyors
- Reverse osmosis devices OS-140

## SPECIFICATIONS

Basket dimensions: 500 mm x 500 mm  
Useful height: 430 mm

Cycles: 3  
Cycle duration: 120 / 180 / 210”  
Production baskets / hour: 30 / 24 / 17

- ✓ Boiler capacity: 12 l
- ✓ Wash tank capacity: 25 l
- ✓ Water consumption/cycle: 2.8 l

### Loading

- ✓ Pump: 750 W / 1.0 Hp
- ✓ Tank: 2500 W
- ✓ Boiler: 6000 W
- ✓ Total loading: 6700 W

### External dimensions (W x D x H)

- ✓ Width: 648 mm (Wide with handle: 725 mm)
- ✓ Depth: 756 mm (Bottom with handle: 835 mm)
- ✓ Height: 2000 mm / 1508 mm

Rinse temperature: 87°C  
Net weight: 108 kg

### Crated dimensions



product sheet  
updated 14/02/2024



# PASS-THROUGH WAREWASHER AX-100BC

Pass-through glass- and dishwasher. Rack size 500 x 500 mm and door clearance 430 mm.



760 x 860 x 1530 mm  
Gross weight: 123 kg

## AVAILABLE MODELS

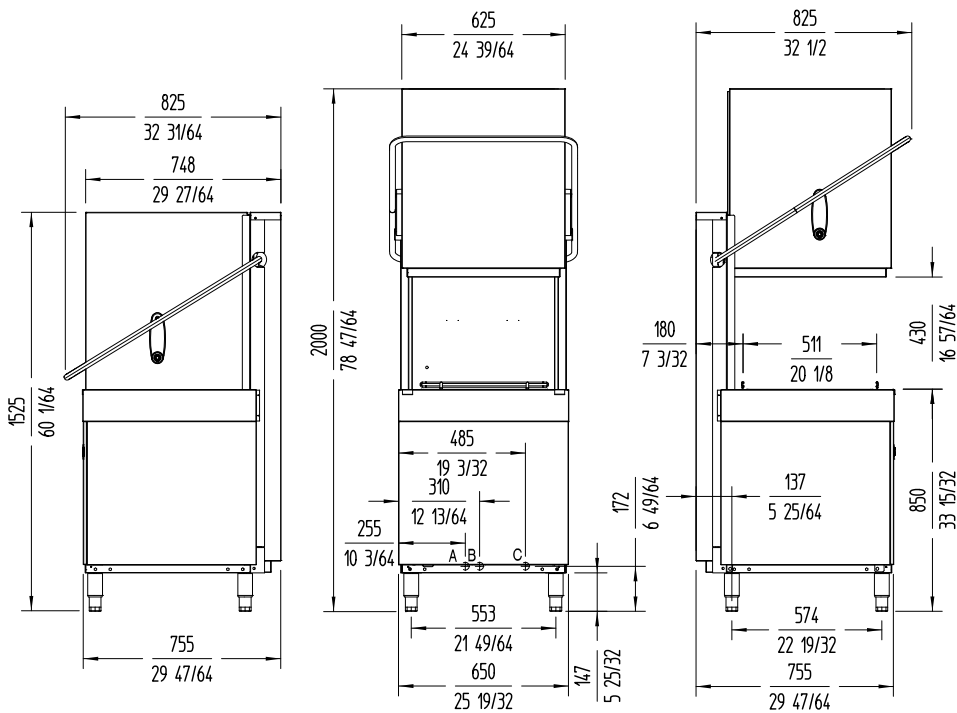
1303313 AX-100BC 230/50/1 DD

1303314 AX-100BC 400/50/3N DD

1303317 AX-100BCD 230/50/1 DD

1303318 AX-100BCD 400/50/3N DD

\* Ask for special versions availability



A: Entrada de agua 3/4" GAS.  
 B: Tubo de desague Ø30 mm.  
 C: Cable conexión.

WARE WASHING  
PASS-THROUGH WAREWASHERS



[www.sammic.co.uk](http://www.sammic.co.uk)

Food Service Equipment Manufacturer

Unit 2, Trevanah Road  
Troon Industrial Park  
LE4 9LS - Leicester

[uksales@sammic.com](mailto:uksales@sammic.com)  
Tel.: +44 0116 246 1900



Project	Date
Item	Qty
Approved	

product sheet  
updated 14/02/2024