



PLANETARY MIXER BE-10

Table-top model with 10 lt./ qt. bowl.



FEATURES AND BENEFITS

Professional food mixer for preparing dough (bread, cake...), egg whites (soufflés, meringue...), sauces (mayonnaise...) and minced meat mixtures.

- ✓ Powerful three-phase motor controlled by highly reliable electronic speed variator technology, which enables the mixers to be connected to a single-phase electrical mains supply.
- ✓ 0-30 minute electronic timer and continuous operation option.
- ✓ Acoustic alarm at end of cycle.
- ✓ Electronic speed control.
- ✓ Equipped with a safety guard.
- ✓ Lever operated bowl lift.
- ✓ Double micro switch for bowl position and safety guard.
- ✓ Safeties off indicator.
- ✓ Reinforced waterproofing system.
- ✓ Stainless steel legs.
- ✓ Strong and resistant bowl.
- ✓ Easy to maintain and repair.

SALES DESCRIPTION

C models, equipped with attachment drive for accessories.

INCLUDES

- ✓ Stainless steel bowl.
- ✓ Beater spatula for soft dough.
- ✓ Spiral hook for heavy dough.
- ✓ Balloon whisk.

DYNAMIC PREPARATION
PLANETARY MIXERS



SAMMIC, S.L.
Basiglio, 1 - 20720 ASKOFITTA
www.sammic.com

www.sammic.co.uk

Food Service Equipment Manufacturer
Unit 2, Trevanth Road
Troon Industrial Park
LE4 9LS - Leicester
uksales@sammic.com
Tel.: +44 0116 246 1900



Project	Date
Item	Qty
Approved	

product sheet
updated 06/03/2018





PLANETARY MIXER BE-10

Table-top model with 10 lt./ qt. bowl.

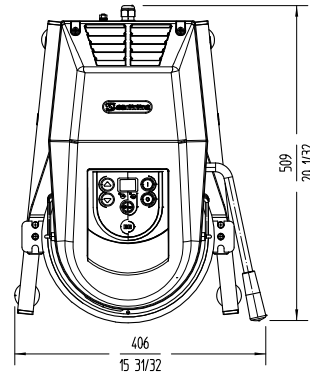
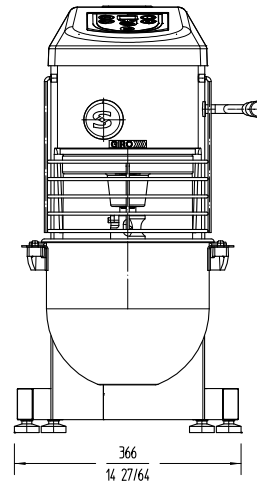
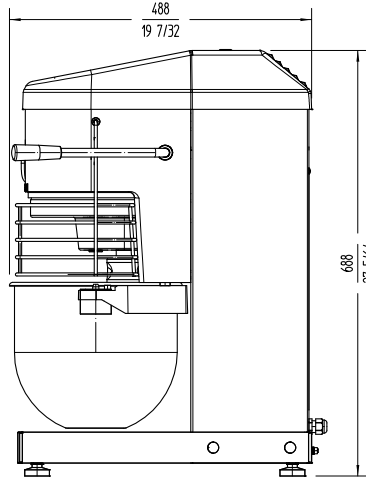


SPECIFICATIONS

- Bowl capacity: 10 l
- Capacity in flour (60% water): 3 Kg
- Timer (min-max): 0' - 30'
- Total loading: 550/750 W
- External dimensions (WxDxH)**
 - ✓ Width: 410 mm
 - ✓ Depth: 523 mm
 - ✓ Height: 688 mm
- Net weight: 44 Kg
- Noise level (1m.): <75 dB(A)
- Background noise: 32 dB(A)

Crated dimensions

- 480 x 560 x 810 mm
- Gross weight: 49 Kg.



AVAILABLE MODELS

1500210 Food mixer BE-10 230/50-60/1

1500211 Food mixer BE-10C 230/50-60/1

* Ask for special versions availability

ACCESSORIES

- Vegetable preparation attachment CR-143
- Potato masher attachment P-132
- Meat mincer attachment HM-71
- Bowls for planetary mixers

DYNAMIC PREPARATION
PLANETARY MIXERS



www.sammic.co.uk

Food Service Equipment Manufacturer

Unit 2, Trevanah Road
Troon Industrial Park
LE4 9LS - Leicester

uksales@sammic.com
Tel.: +44 0116 246 1900



Project

Date

Item

Qty

Approved

product sheet
updated 06/03/2018