



# POTATO PEELER M-5

5 kg / 11 lb load per cycle.



- ✓ Depth: 367 mm
- ✓ Height: 490 mm

### External dimensions with stand

- ✓ Width with stand: 425 mm
- ✓ Depth with stand: 555 mm
- ✓ Height with stand: 965 mm

Plate speed: 300 rpm

Net weight: 15.5 kg

### Crated dimensions

[n:embalaje\_ancho] x [n:embalaje\_fondo] x [n:embalaje\_alto] [m:embalaje\_ancho]

Gross weight: 18.5 kg

## AVAILABLE MODELS

1000565 Potato peeler M-5 230/50-60/1

\* Ask for special versions availability

DYNAMIC PREPARATION  
COMMERCIAL POTATO PEELERS

## SALES DESCRIPTION

Commercial stainless steel construction potato peeler suitable for reduced space areas. Also suitable to peel carrots and other similar products.

- ✓ Abrasive peeling. The abrasive is highly resistant and long lasting.
- ✓ Base Plate lined with highly resistant and long lasting abrasive.
- ✓ Stainless steel body.
- ✓ Ideal for placement near sink for drainage
- ✓ Very easy to install
- ✓ Water inlet system with non-return air break.
- ✓ Integral control panel complete with on/off push buttons and a 0-6 minute timer.
- ✓ Optional extra: A stainless steel stand complete with removable filter chamber.

## OPTIONAL

- Stainless steel floor stand.
- Filter with no-foam feature.

## ACCESSORIES

- Stands for potato peelers
- Filters for potato peelers M / PI / PES

## SPECIFICATIONS

Hourly production: 80 kg / 100 kg

Capacity per load: 5 kg

Timer (min-max): 0' - 6'

Total loading: 300 W

Noise level (1m.): 70 dB(A)

Background noise: 32 dB(A)

### External dimensions (W x D x H)

- ✓ Width: 333 mm



product sheet  
updated 28/11/2023

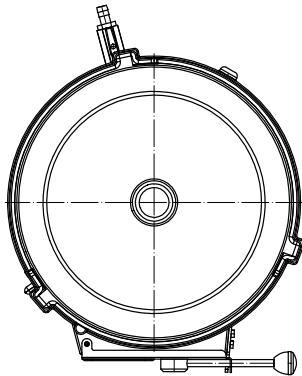
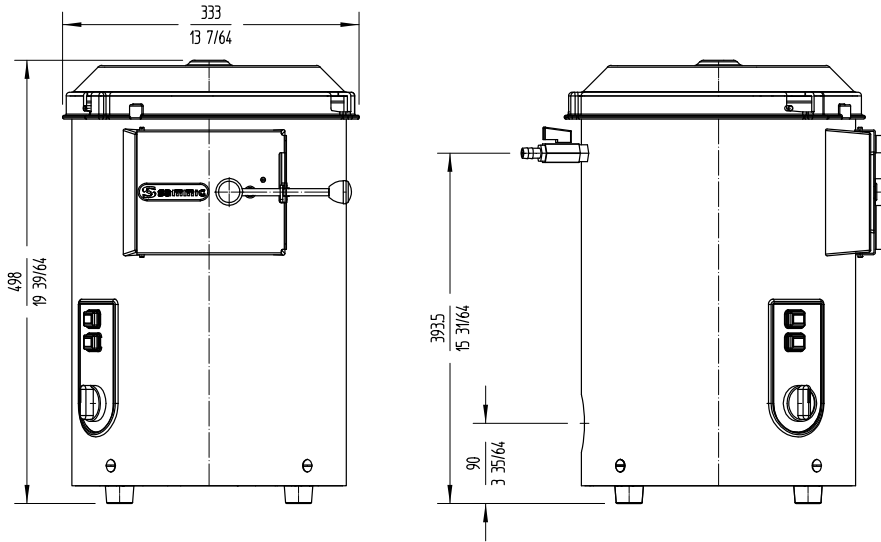


# POTATO PEELER M-5

5 kg / 11 lb load per cycle.



DYNAMIC PREPARATION  
COMMERCIAL POTATO PEELERS



[www.sammic.co.uk](http://www.sammic.co.uk)

Food Service Equipment Manufacturer

Unit 2, Trevanth Road  
Troon Industrial Park  
LE4 9LS - Leicester

[uksales@sammic.com](mailto:uksales@sammic.com)  
Tel.: +44 0116 246 1900



Project

Date

Item

Qty

Approved

product sheet  
updated 28/11/2023