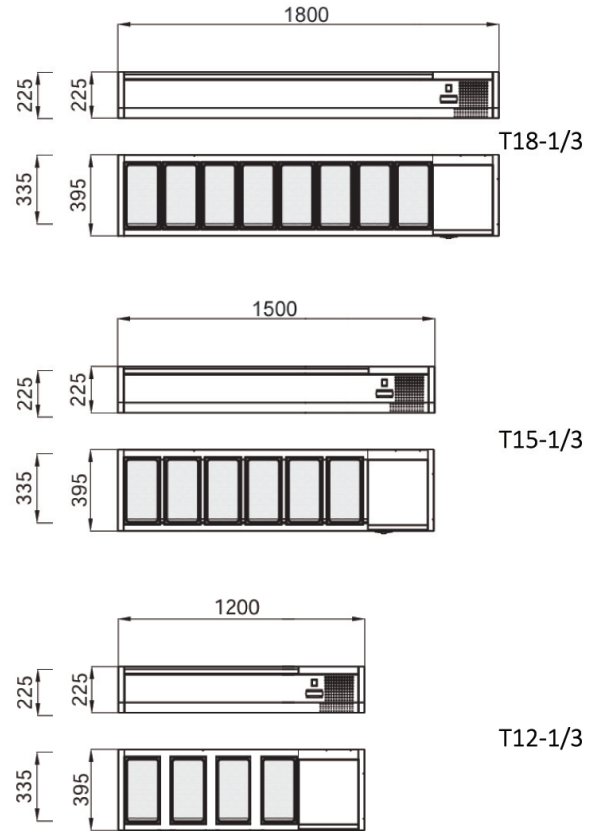


Model:  
EC-T Series

Gastronorm Compatible Refrigerated Topping Unit

### Technical Drawings



#### Key Features

- Stainless steel interior & exterior
- Available with glass top or stainless steel lid
- Digital temperature controller
- Manual defrost
- Digital temperature display

#### Construction

- Stainless steel exterior
- Stainless steel interior

#### Available Options

## Technical Data

Model	EC-T12G	EC-T15G	EC-T18G	EC-T12S	EC-T15S	EC-T18S
Capacity	4 x 1/3GN	6 x 1/3GN	8 x 1/3GN	4 x 1/3GN	6 x 1/3GN	8 x 1/3GN
External Dimensions	W = 1200 D = 395 H = 435	W = 1500 D = 395 H = 435	W = 1800 D = 395 H = 435	W = 1200 D = 395 H = 435	W = 1500 D = 395 H = 435	W = 1800 D = 395 H = 435
Interior Finish	Stainless Steel	Stainless Steel	Stainless Steel	Stainless Steel	Stainless Steel	Stainless Steel
Exterior Finish	Stainless Steel	Stainless Steel	Stainless Steel	Stainless Steel	Stainless Steel	Stainless Steel
Lid/Top	Glass	Glass	Glass	Stainless Steel	Stainless Steel	Stainless Steel
Temperature control	Digital	Digital	Digital	Digital	Digital	Digital
Temperature control position	External	External	External	External	External	External
Temperature range	+2° to +8°c	+2° to +8°c	+2° to +8°c	+2° to +8°c	+2° to +8°c	+2° to +8°c
Refrigerant	R600a	R600a	R600a	R600a	R600a	R600a
Evaporator style	Skin	Skin	Skin	Skin	Skin	Skin
Fan assisted	×	×	×	×	×	×



Approvals

Available At

Document #

