

# MODEL T36/T36A

## SOFT SERVE FREEZER

SINGLE FLAVOUR, COUNTERTOP, DIGITAL CONTROL



Ideal for **extremely high capacity outlets** to serve ice cream, frozen yogurt, milkshakes or sorbet. Small footprint saves counter space.



### FAST FREEZE DOWN

Patented high efficiency heat exchanger allows fast freeze down with low energy consumption



### DIGITAL CONTROL AND DISPLAY

Microprocessor control provides access to system settings and additional functions. Digital interface displays critical info as system status, temperatures, dispense count, errors, etc.



### AUTO PROGRAMMING

Allows automatic switching of operation modes based on pre-set schedules



### STANDBY

Maintains product temperature in both mix hopper and freezing cylinder below 4.4°C (40°F) overnight



### HOPPER AGITATOR

Maintain product consistency and prevent product separation



### INVERTER SYSTEM

Slow motor start reduces equipment noise and stress on drive



### DIRECT DRIVE TRANSMISSION

Eliminates consumable moving parts and increases transmission efficiency



### DEFROST FOR CLEANING

Increases efficiency during cleaning by heating frozen product in cylinder



### QUICK REFREEZE

Turn on freeze immediately to freeze down to serving viscosity when quick service is required after long idle period



### SELF CLOSING VALVE / SPEED CONTROL

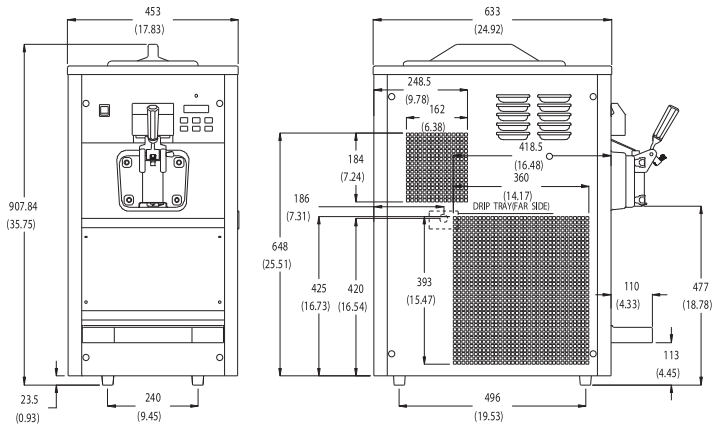
Automatically prevents product overflow after dispense; Provides flexibility in dispense rate control

**POWERFUL AND VERSATILE** SINGLE FLAVOUR EXTREMELY HIGH CAPACITY COUNTERTOP MODEL FOR ICE CREAM, FROZEN YOGURT, SORBET AND MUCH MORE

# MAXIMISE YOUR PROFITS

# MODEL T36/T36A

## SOFT SERVE FREEZER MACHINE



ISO 9001 REGISTERED

### SPECIFICATIONS

Flavours	1	
Freezing Cylinders	1 x 3.2L / 3.4qt	
Mix Hoppers	1 x 12L (8L for A)	
Output Capacity (80 grams)	420 serves/hr	
Clearance Requirements	152mm/6" on left	

WEIGHT	KG/LB (Gravity)	KG/LB (Pump)
Net	139 / 309	144 / 320
Shipping	152 / 338	157 / 349
Volume	0.47 CBM / 16.62 CBF	

DIMENSIONS	NET (MM/IN)	SHIPPING (MM/IN)
Width	453	NA
Depth	678	NA
Height	908	NA

ELECTRICAL	AMP	VOLT	POWER(KW)
Single Phase	13	NA	NA

### FEATURES

CONTROL SYSTEMS	SINGLE DIGITAL
REFRIGERATED HOPPERS	✓
HOPPER AGITATOR OPTIONAL	✓
TEMPERATURE DISPLAY	✓
STANDBY MODE	✓
AUTO CLOSING DISPENSING VALVES	✓
DISPENSING SPEED CONTROL	✓
LOW MIX INDICATOR LIGHT & ALARM	✓
LOW TEMPERATURE PROTECTION	✓
MOTOR OVERLOAD PROTECTION	✓
HIGH PRESSURE PROTECTION	✓
DEFROST & QUICK REFREEZE	✓
SOFT START	✓
DIRECT DRIVE PUMP (A ONLY)	✓
C PUMP AND PASTEURISATION AVAILABLE	✓
21 DAYS CLEANING CYCLE	✓
A PUMP VERSION AVAILABLE	✓

### BLUE ICE MACHINES LTD

Lea Road trading Estate, Lea Rd, Waltham Cross, London, Waltham Abbey EN9 1AE

020 8801 6919

info@blueicecreammachine.co.uk  
www.blueicecreammachine.co.uk