



Perfect for small businesses such as

- Small hotels and bed & breakfasts
- Small restaurants
- Hairdressing and beauty salons
- Sport and fitness clubs
- Office cleaning companies
- Out-of-home resident services
- Restaurant chains/franchise and more

myPRO

Smart Professional Heat Pump Dryer

Especially designed for small businesses.

The machine with a Professional heart boasting benefits from the professional design

Benefits and features

- ▶ **Superb capacity and performance:**
 - Process all laundry in one go thanks to generous 8 kg capacity
 - Heat pump technology provides A++ energy efficiency
 - Low operating costs
- ▶ **Outstanding flexibility and garment care:**
 - Meet every need with 16 programs (eco, automatic, time-based and airing programs)
 - Prevent over-drying of garments and save time and energy with professional Residual Moisture Control technology
 - Greater peace of mind: optional direct connection from condensed water tank to drain for instant discharge
 - Extra long lifetime due to more durable machine construction with professional components
 - Less vibration and noise: below 66 dB (A), condenser and panelling
 - No chemical corrosion: stainless steel front and top

Accessories

- ▶ Pedestal
- ▶ Stacking kit

Main specifications at a glance

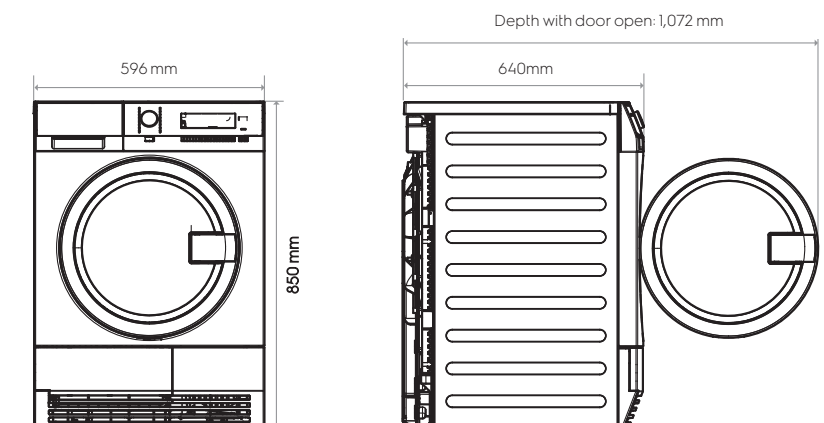
Drying capacity, kg	8
Drum volume, l	120
Energy efficiency class	A++
Condensation efficiency	B (>80%)

Consumption data

Program standard, cotton 60 °C, full load

Total time, min./cycle	155
Energy consumption, kWh	1.99
Annual energy consumption, kWh	235

Dimensions



myPRO Smart Professional Heat Pump Dryer

Specifications TE1120HP

Drying technology	Heat Pump
Total Power, Watt	900
Electrical connection, V/ Hz	230 / 50
Declared drying noise, dB(A)	66
Display	Large LCD
Drum light	Yes
Door lock device	Pull to open with child safety (can be opened from inside by applying force of 70N)
Filter	Easy to clean lint filter
Filter sensor	No
Levelling feet	4 adjustable feet (adjustable by 15 mm)

This product contains fluorinated greenhouse gases, hermetically sealed

Gas designation	R134A
Gas Weight	0.30 kg
Global-warming potential (GWP)	1430

Programs

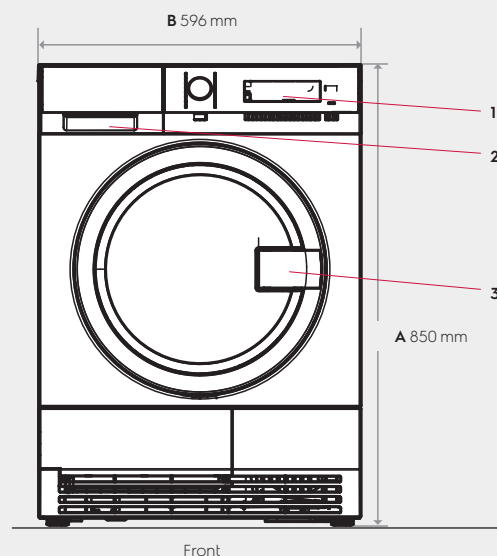
Number of programs	16
Low: Airing 15', Auto, 20', 40', 60', 90', 120', 180'	
Normal: Eco, Auto, 20', 40', 60', 90', 120', 180'	
Number of additional functions	6
Half load / Extra dry / Cupboard dry / Iron dry / Care / Time	

Special features

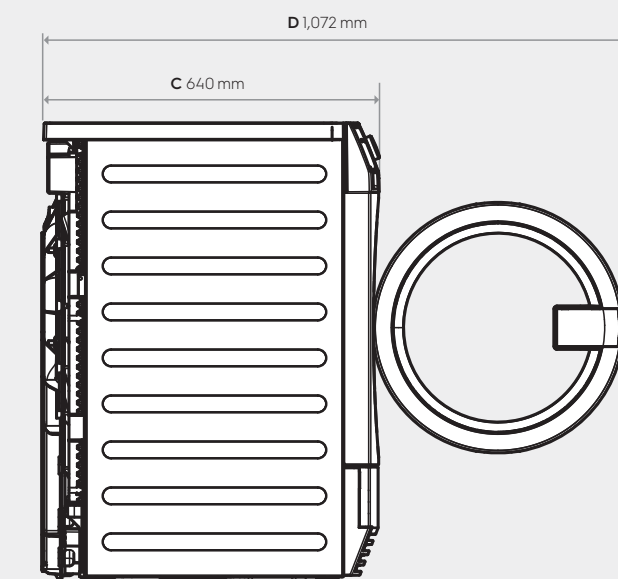
Pedestal	Accessory
Stacking kit	Accessory

Dimensions including the door frame

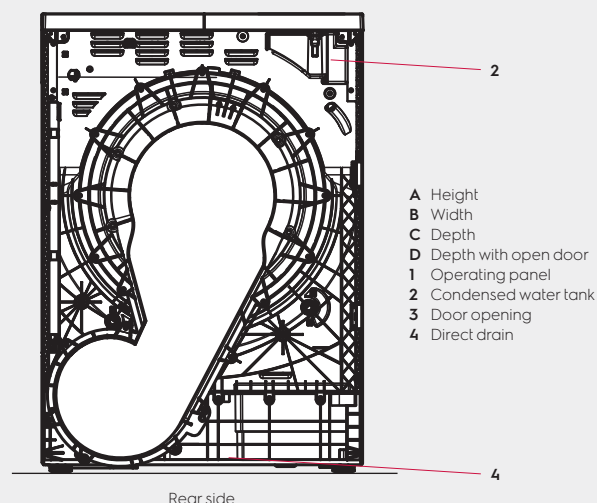
Height (A), mm	850
Width (B), mm	596
Depth (C), mm	640
Packaging height, mm	890
Packaging width, mm	630
Packaging depth, mm	705
Weight (with packaging), kg	48,6 (50)



Front



Right side



Rear side

- A Height
- B Width
- C Depth
- D Depth with open door
- 1 Operating panel
- 2 Condensed water tank
- 3 Door opening
- 4 Direct drain

We reserve the right to alter specifications without notice.