



## 600 Series Electric Boiling Tops

Instruction manual



**Model • Modèle • Modell • Modello • Modelo • Malli:  
CU471 / CU472**

## Safety Instructions

### DANGER OF HIGH VOLTAGE!

#### **Electrical requirements:**

**Always switch off and disconnect the power supply to the appliance before installation, when not in use, before cleaning and maintenance/service.**

**This appliance should only be connected to the mains electricity supply by a qualified electrician. Hardwire the appliance into a suitable power supply with correct voltage and sufficient power capacity. Refer to the rating label on the appliance for voltage and wattage requirements.**

**Connect the appliance to a circuit protected by an appropriate RCD (Residual Current Device).**

**Under no circumstances put a plug on the cable.**

**Failure to comply with these safety instructions will release Buffalo from any responsibility and the warranty will become null and void.**

- Position on a flat, stable surface.
- A service agent/qualified technician should carry out installation and any repairs if required. Do not remove any components on this product.
- Consult Local and National Standards to comply with the following:
  - Health and Safety at Work Legislation
  - BS EN Codes of Practice
  - Fire Precautions
  - IEE Wiring Regulations
  - Building Regulations

- This is an attended appliance and must be supervised when in use.
- Switch off after use.
- If boiling top overheats then Switch Off Immediately.
- **Caution! Hot surface!**
- DO NOT immerse the appliance in water.
- DO NOT clean with jet/pressure washers.
- DO NOT move or carry the appliance when it is switched on.
- DO NOT leave the appliance unattended during operation.
- In case of fire, Never pour water onto hot oil or fat.
- During and after cooking, the unit is still hot. Never touch the surface to avoid scalding.
- Suitable for indoor use only.
- Slippery materials such as oil spilled on the ground during use must be wiped away. Otherwise it will cause the ground to be slippery.
- Keep all packaging away from children. Dispose of the packaging in accordance to the regulations of local authorities.
- If the power cord is damaged, it must be replaced by a Buffalo agent or a recommended qualified technician in order to avoid a hazard.
- This appliance is not intended for use by persons (including children) with reduced physical, sensory or mental capabilities, or lack of experience or knowledge, unless they have been given supervision or instruction concerning the use of the appliance by a person responsible for their safety.
- Children should be supervised to ensure that they do not play with the appliance.
- Buffalo recommend that this appliance should be periodically tested (at least annually) by a Competent Person. Testing should include, but not be limited to: Visual Inspection, Polarity Test, Earth Continuity, Insulation Continuity and Functional Testing.



## Introduction

Please take a few moments to carefully read through this manual. Correct maintenance and operation of this machine will provide the best possible performance from your Buffalo product.

### **Buffalo will not accept liability for product failures in the event that:**

- The instructions in this manual have not been followed correctly.
- Unqualified or unauthorized personnel have adjusted the appliance.
- Non-original spare parts are used.
- The appliance has not been handled and cleaned correctly.
- The appliance has been used for a purpose for which it was not intended.
- The appliance is used by personnel not trained or unfamiliar with the usage of the unit.

## Pack Contents

The following is included:

- BUFFALO boiling top
- Instruction manual

BUFFALO prides itself on quality and service, ensuring that at the time of unpacking the contents are supplied fully functional and free of damage.

Should you find any damage as a result of transit, please contact your BUFFALO dealer immediately.

## Installation



**Warning: Incorrect installation, operation, maintenance or cleaning of the equipment, as well as any modification can cause property damage and personal casualty. Fully read and understand all instructions before installation.**

**Before installation and operation, it is the user's responsibility to ensure that all Health & Safety regulations concerning safe positioning, spacing, ventilation, electrical installation, and fire risk, are complied with.**

- Remove the appliance from the packaging, ensuring that all protective packaging, plastic and residues are thoroughly cleaned from its surfaces.
- Place the unit on a heat-resistant surface (Or boiling top stand if purchased). Avoid placing it on or close to flammable materials. Maintain a distance of 20cm (7 inches) between the appliance and walls or other objects for ventilation.
- Keep the unit away from splashing water and countertop's edge.

## Electrical wiring



**DANGER of electric shock from incorrect connection**

**There is a danger to life if the wires are incorrectly connected.**

**Connection to a suitable power supply should only be carried out by a qualified and competent electrical engineer.**

**Warning: The fixed wiring of the power cord connection must be equipped with a disconnect device (leakage protection switch) with a contact distance greater than 30mm according to the wiring rules.**

Connect the unit in accordance with the applicable regulations of your country, federal state, city or local authority.

Connect the unit to a standard energy supply network.

For a proper electrical connection, adjust the power ratings to the local circumstances and requirements.



Equipotential bonding terminal in electrical appliances is to connect exposed metal and conductive parts of electrical devices and other devices in electrical appliances with artificial or natural grounding conductors to reduce potential differences (reduce and prevent the risk of electric shock).

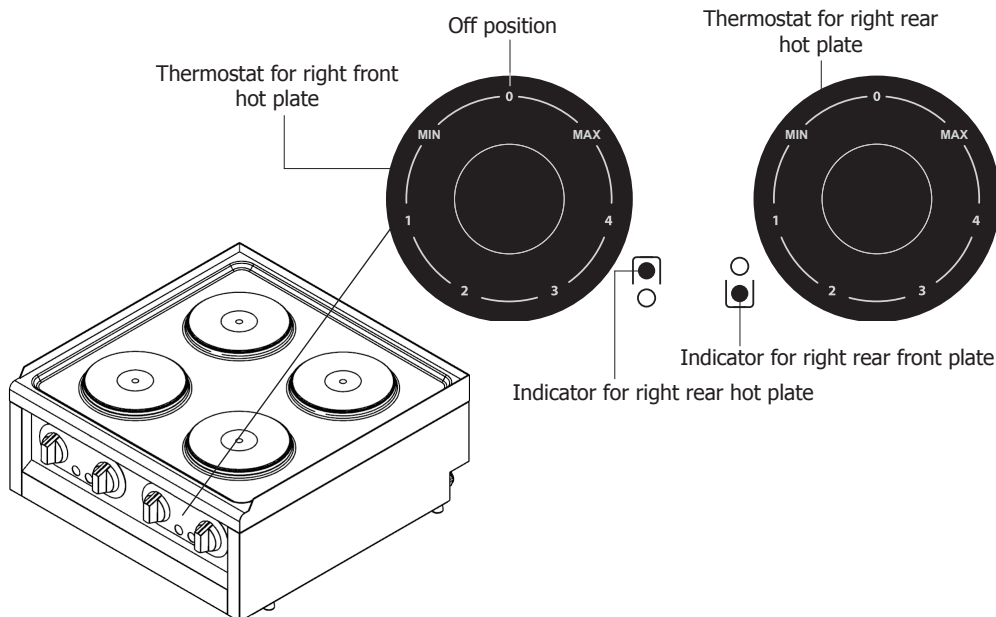
- This appliance is supplied unplugged and require hardwiring to a suitable electrical power supply.  
CU471 requires a  $2 \times 2 \text{ kW} + 2 \times 1.5 \text{ kW} = 7 \text{ kW}$  400V 3NPE three-phase circuit at 50Hz  
CU472 requires a  $2 \text{ kW} + 1.5 \text{ kW} = 3.5 \text{ kW}$  230V NPE one-phase circuit at 50Hz
- Connect the wires correctly according to their colour coding. This appliance is wired as follows:

Wire colour	Wire function	To terminals of power supply
Yellow/green	Earth wire, protective conductor	Terminal marked E
Blue	Neutral wire, neutral conductor	Terminal marked N
Brown, grey and black	Live wires, Phase L1, L2, L3	Terminal marked L1, L2, L3

- The appliance must be earthed. If in doubt consult a qualified electrician.
- Electrical isolation points must be kept clear of any obstructions. In the event of any emergency disconnection being required they must be readily accessible.

## Operation

## Model shown: CU471



**Note: Before first time use, clean all parts well and dry completely. Ensure to place the hob on a solid level surface and set all thermostats to the Off positions.**

1. Place the pot with food on the hob.

**Caution:** Never place empty containers on the hot plates after the appliance is on.

2. Turn the thermostat clockwise/anticlockwise to set the required power setting.
3. After cooking is completed, remove the pot from the appliance.
4. Turn the thermostat to "0" position after use. Then disconnect the appliance from the power supply.
5. Clean the appliance after it has cooled down.

### Tips for use

- If you operate the hotplates without pots and pans, you will damage the product.
- Place the pots so that they are centred on the hotplates. When you want to put the pot on another cooking zone, lift it instead of sliding them to the desired cooking zone.
- Do not use unstable and easily tipped utensils on the hob. Do not place pot or pan lids on hot plates.
- Do not place aluminium and plastic containers on the appliance as it may be hot.
- Thaw frozen food before cooking. Splashes can damage the hob surface and cause a fire.
- Never fill the pan more than one-third full of oil. Do not leave it unattended while heating the oil. Extremely hot oil is a fire hazard. If oil catches fire, cover it with a fire blanket or wet cloth. Turn off the stove if it's safe to do so.
- Do not let any objects fall onto the hob. Even small objects can damage the hob. If the surface is damaged in any way, for example visible cracks, switch the product off immediately to reduce the risk of electric shock.

**WARNING: The pot and pans are very hot! Take care when removing from the hot plate. If necessary, wear heat protective gloves.**

## Cleaning, Care & Maintenance

**The appliance should be cleaned after each day's operation; however it may require cleaning more often, depending on the volume carried out.**

**Failure to clean the appliance regularly may cause frequent malfunctions.**

**Do not use any abrasive cleaning agents on the appliance.**

1. Switch off the hob and disconnect from the power supply.
2. Remove all pots/pans and allow the appliance to cool before cleaning.
3. The control unit cannot be immersed in water, but can be wiped down with a damp cloth.
4. Use a suitable detergent to clean the main body.
5. The main body can also be cleaned with warm soapy water. Let it dry well, ensuring no moisture enters the inside of the appliance.
6. Use a dry cloth to clean the appliance to ensure there is no water on the heating element and control panel.

## Technical Specifications

Note: Due to our continuing program of research and development, the specifications herein may be subject to change without notice.

Model	Voltage	Power (Max.)	Temperature Range	Cooking plate	Dimensions h x w x d (mm)	Net Weight
CU471	380V 3N~, 50-60Hz	7kW	90°C - 450°C	4 x Ø 180mm	600 x 600 x 240	11.5 kg
CU472	230V 1N~, 50-60Hz	3.5kW	90°C - 450°C	2 x Ø 180mm	400 x 600 x 240	8.4 kg

## Troubleshooting

A qualified technician must carry out repairs if required.

Fault	Probable Cause	Solution
The unit is not working	The unit is not switched on	Check the residual current relay and the overcurrent fuse in the power supply line and switch on
	Lead is damaged	Replace lead
	Mains power supply fault	Check mains power supply
Appliance does not reach set temperature, or slow to heat up	Faulty thermostat	Consult a qualified technician
	Faulty heating element	Consult a qualified technician
	Build-up of fat on cooking surface	Clean the appliance
Hot plate overheats or starts to smoke	Heater limiter damaged	Switch Off. If the hot plate fails to work after cooling down, consult a qualified technician

## Compliance

The WEEE logo on this product or its documentation indicates that the product must not be disposed of as household waste. To help prevent possible harm to human health and/or the environment, the product must be disposed of in an approved and environmentally safe recycling process. For further information on how to dispose of this product correctly, contact the product supplier, or the local authority responsible for waste disposal in your area.



Buffalo parts have undergone strict product testing in order to comply with regulatory standards and specifications set by international, independent, and federal authorities.

Buffalo products have been approved to carry the following symbol:



**All rights reserved. No part of these instructions may be produced or transmitted in any form or by any means, electronic, mechanical, photocopying, recording or otherwise, without the prior written permission of Buffalo.**  
**Every effort is made to ensure all details are correct at the time of going to press, however, Buffalo reserves the right to change specifications without notice.**







<b>UK</b>	<b>+44 (0)845 146 2887</b>
<b>Eire</b>	
<b>NL</b>	<b>040 – 2628080</b>
<b>FR</b>	<b>01 60 34 28 80</b>
<b>BE-NL</b>	<b>0800-29129</b>
<b>BE-FR</b>	<b>0800-29229</b>
<b>DE</b>	<b>0800 – 1860806</b>
<b>IT</b>	<b>N/A</b>
<b>ES</b>	<b>901-100 133</b>







<http://www.buffalo-appliances.com/> 

CU471\_CU472\_EN\_A5\_v1\_2023/10/20