



# 600 Series Electric Pasta Cooker

Instruction manual



**Model • Modèle • Modell • Modello • Modelo • Malli:  
CU478**

## Safety Instructions

### **DANGER OF HIGH VOLTAGE!**

#### **Electrical requirements:**

**Always switch off and disconnect the power supply to the appliance before installation, when not in use, before cleaning and maintenance/service.**

**This appliance should only be connected to the mains electricity supply by a qualified electrician. Hardwire the appliance into a suitable power supply with correct voltage and sufficient power capacity. Refer to the rating label on the appliance for voltage and wattage requirements.**

**Connect the appliance to a circuit protected by an appropriate RCD (Residual Current Device).**

**Under no circumstances put a plug on the cable.**

**Failure to comply with these safety instructions will release Buffalo from any responsibility and the warranty will become null and void.**

- Position on a flat, stable surface.
- A service agent/qualified technician should carry out installation and any repairs if required. Do not remove any components on this product.
- Consult Local and National Standards to comply with the following:
  - Health and Safety at Work Legislation
  - BS EN Codes of Practice
  - Fire Precautions
  - IEE Wiring Regulations
  - Building Regulations

- Ensure water levels are maintained above the minimum indicated level. Failing to do so may result in heating element failure.
- Switch off and disconnect from the power supply while cleaning, draining water, or filling water.
- **Caution! Hot surface!**
- DO NOT immerse the appliance in water.
- DO NOT clean with jet/pressure washers.
- DO NOT move or carry the appliance when it is switched on.
- DO NOT leave the appliance unattended during operation.
- Great care must be taken by the operator to use the equipment safely to guard it against risk of fire.
- During and after cooking, the unit is still hot. Never touch the surface to avoid scalding.
- Suitable for indoor use only.
- Spilled water on the mounting surface during use should be wiped away in time.
- Keep all packaging away from children. Dispose of the packaging in accordance to the regulations of local authorities.
- If the power cord is damaged, it must be replaced by a Buffalo agent or a recommended qualified technician in order to avoid a hazard.
- This appliance is not intended for use by persons (including children) with reduced physical, sensory or mental capabilities, or lack of experience or knowledge, unless they have been given supervision or instruction concerning the use of the appliance by a person responsible for their safety.
- Children should be supervised to ensure that they do not play with the appliance.

- Buffalo recommend that this appliance should be periodically tested (at least annually) by a Competent Person. Testing should include, but not be limited to: Visual Inspection, Polarity Test, Earth Continuity, Insulation Continuity and Functional Testing.
- Only use drinking or potable water with this appliance.
- Ensure that the water pressure of the connected water supply is between 1-6 Bar.

## Introduction

Please take a few moments to carefully read through this manual. Correct maintenance and operation of this machine will provide the best possible performance from your Buffalo product.

### **Buffalo will not accept liability for product failures in the event that:**

- The instructions in this manual have not been followed correctly.
- Unqualified or unauthorized personnel have adjusted the appliance.
- Non-original spare parts are used.
- The appliance has not been handled and cleaned correctly.
- The appliance has been used for a purpose for which it was not intended.
- The appliance is used by personnel not trained or unfamiliar with the usage of the unit.

## Pack Contents

The following is included:

- BUFFALO electric pasta cooker
- Instruction manual
- Small basket (x2)
- Big basket (x1)

BUFFALO prides itself on quality and service, ensuring that at the time of unpacking the contents are supplied fully functional and free of damage.

Should you find any damage as a result of transit, please contact your BUFFALO dealer immediately.

## Installation



**Warning: Incorrect installation, operation, maintenance or cleaning of the equipment, as well as any modification can cause property damage and personal casualty. Fully read and understand all instructions before installation.**

**Before installation and operation, it is the user's responsibility to ensure that all Health & Safety regulations concerning safe positioning, spacing, ventilation, electrical installation, and fire risk, are complied with.**

- Remove the appliance from the packaging, ensuring that all protective packaging, plastic and residues are thoroughly cleaned from its surfaces.
- Place the unit on a heat-resistant surface. Avoid placing it on or close to flammable materials. Maintain a distance of 20cm (7 inches) between the appliance and walls or other objects for ventilation.
- Keep the unit away from splashing water and countertop's edge.

## Electrical wiring



### **DANGER of electric shock from incorrect connection**

**There is a danger to life if the wires are incorrectly connected.**

**Connection to a suitable power supply should only be carried out by a qualified and competent electrical engineer.**

**Warning: The fixed wiring of the power cord connection must be equipped with a disconnect device (leakage protection switch) with a contact distance greater than 30mm according to the wiring rules.**

Connect the unit in accordance with the applicable regulations of your country, federal state, city or local authority.

Connect the unit to a standard energy supply network.

For a proper electrical connection, adjust the power ratings to the local circumstances and requirements.



Equipotential bonding terminal in electrical appliances is to connect exposed metal and conductive parts of electrical devices and other devices in electrical appliances with artificial or natural grounding conductors to reduce potential differences (reduce and prevent the risk of electric shock).

- This appliance is supplied unplugged and require hardwiring to a suitable electrical power supply. CU478 requires a 3400W 230V mono-phase circuit at 50 Hz.
- Connect the wires correctly according to their colour coding. This appliance is wired as follows:

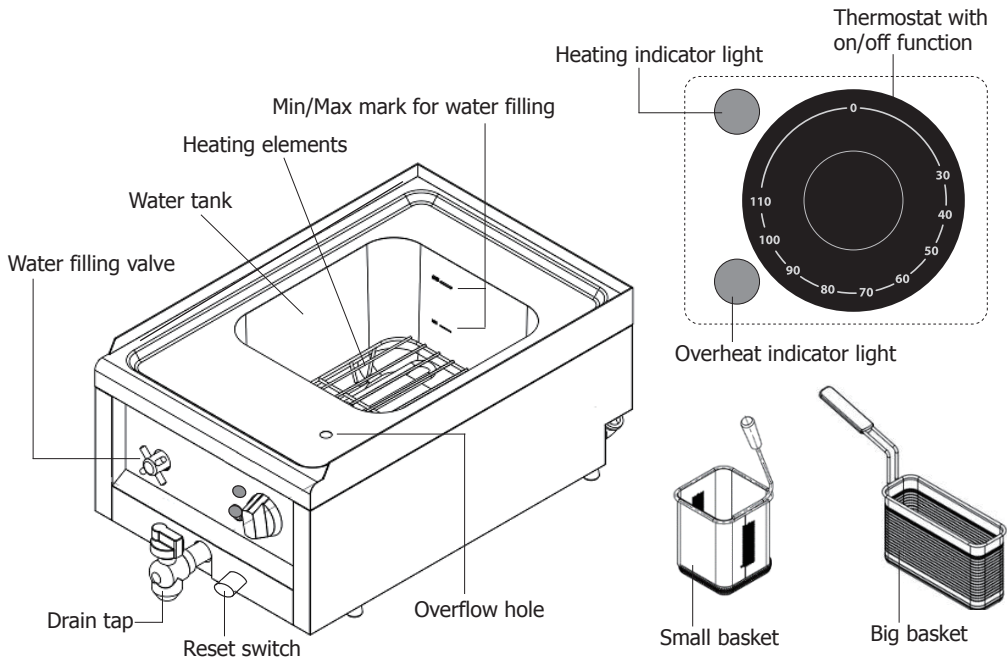
Wire colour	Wire function	To terminals of power supply
Yellow/green	Earth wire, protective conductor	Terminal marked E
Blue	Neutral wire, neutral conductor	Terminal marked N
Brown/grey or black	Live wires, Phase L1	Terminal marked L1

- The appliance must be earthed. If in doubt consult a qualified electrician.
- Electrical isolation points must be kept clear of any obstructions. In the event of any emergency disconnection being required they must be readily accessible.

## Connecting the appliance to the mains water supply

- Connect a suitable 3/4" water hose to the appliance and the mains water supply.
- Check that the water pressure of the connected water supply is between 1-6 Bar.
- The use of a stop cock is recommended to isolate the unit from the water supply for servicing.

## Operation



**Note:** Before using for the first time, clean all parts well. Let dry completely.

### Start cooking

1. Before filling the water tank, always check that the thermostat is at the '0' position and the drain tap is closed.
2. Turn the water supply 'On'. Open the water filling valve and fill the water tank up to the Max mark.
3. Turn the thermostat to the desired temperature. The 'green' heating indicator will illuminate.
4. When the set temperature is reached, the heating indicator will turn off.
5. Lower the baskets with food into the water tank. The heating indicator will illuminate again. During cooking, the water level will reduce as steam keeps evaporating. The water level should be checked in every cooking process. If water is insufficient, add water in time.
6. When the food is cooked, lift the baskets and turn the thermostat to the '0' position (Off position).
7. After daily use, turn the thermostat to '0' position and disconnect the appliance from power supply. After sufficient cooling down, daily cleaning can be done.

#### Important:

**The use of rock salt is not permitted with this appliance.**

**NEVER add salt to cold water - always ensure that the water in the pasta cooker is boiling before adding salt.**

**Clean the water tank regularly after each use.**

**WARNING: The food and appliance is very hot! Take care when removing the baskets from the water tank.**

## Thermal Cut-out Reset

The appliance is fitted with a Thermal Cut-Out safety switch. Should the temperature exceed safe levels the appliance will automatically cut off power.

The thermal Cut-out switch is located on the front of the unit. To reset the appliance after a sufficient cool-down period:

1. Unscrew the reset switch cover.
2. Press the small reset switch down until it clicks, using a blunt pointed instrument.
3. The appliance is now reset and can be used as normal.

## Cleaning, Care & Maintenance

**The pasta cooker should be cleaned after each day's operation; however it may require cleaning more often, depending on the volume use.**

**Clean the interior of the water tank regularly after each use. Do not use wire brushes on the water tank. Clean using a mild detergent and a hot water solution and a soft cloth or a soft bristled brush. Dry the appliance thoroughly using a dry clean cloth.**

1. Switch off the power and disconnect from the power supply.
2. Allow the appliance to cool before cleaning.
3. Empty the water tank by opening the drain tap.
4. Use a suitable detergent to clean the water tank. Let it dry well, ensuring no moisture enters the inside of the appliance.
5. The main body, heating elements and baskets should be cleaned using warm soapy water and a damp cloth or sponge.
6. Dry thoroughly.

**NOTE: In order to prevent the forming of rust on the steel components, ensure that the detergent or cleaning material has been entirely removed after each cleaning process.**

### Descaling

In hard water areas lime scale can build up within the appliance after prolonged use. To descale the appliance.

1. Pour a solution of de-scaler and water into the appliance.
2. Follow the manufacturer's instructions on the de-scale solution with reference to the length of time required to soak, agitation, water temperature and on how to dispose of the solution safely.
3. Fill the appliance with clean water and turn back On to flush out the system. Flush out the system thoroughly to remove any de-scaler residue.
4. The appliance is ready for use.

## Technical Specifications

Note: Due to our continuing program of research and development, the specifications herein may be subject to change without notice.

Model	Voltage	Power (Max.)	Temperature Range	Capacity	Dimensions h x w x d (mm)	Net Weight
CU478	230V 1N~ 50-60Hz	3400W	30°C - 110°C	15 Litres	240 x 400 x 600	14kg

## Troubleshooting

A qualified technician must carry out repairs if required.

Fault	Probable Cause	Solution
The unit is not working	The unit is not switched on	Check the residual current relay and the overcurrent fuse in the power supply line and switch on
	Lead is damaged	Replace lead
	Mains power supply fault	Check mains power supply
Appliance does not reach set temperature, or slow to heat up	Faulty thermostat	Consult a qualified technician
	Faulty heating element	Consult a qualified technician
Appliance heats up but indicator light does not come on	Indicator light has expired	Consult a qualified technician
Heating indicator light comes on but appliance does not heat up	Faulty thermostat	Consult a qualified technician
	Faulty heating element	Consult a qualified technician
	Thermostat set incorrectly	Check thermostat
No power	Thermal cut-out activated	Please check your machine is safe with no obvious damage and then press the re-set switch

## Compliance

The WEEE logo on this product or its documentation indicates that the product must not be disposed of as household waste. To help prevent possible harm to human health and/or the environment, the product must be disposed of in an approved and environmentally safe recycling process. For further information on how to dispose of this product correctly, contact the product supplier, or the local authority responsible for waste disposal in your area.



Buffalo parts have undergone strict product testing in order to comply with regulatory standards and specifications set by international, independent, and federal authorities.

Buffalo products have been approved to carry the following symbol:



**All rights reserved. No part of these instructions may be produced or transmitted in any form or by any means, electronic, mechanical, photocopying, recording or otherwise, without the prior written permission of Buffalo. Every effort is made to ensure all details are correct at the time of going to press, however, Buffalo reserves the right to change specifications without notice.**







<b>UK</b>	<b>+44 (0)845 146 2887</b>
<b>Eire</b>	
<b>NL</b>	<b>040 – 2628080</b>
<b>FR</b>	<b>01 60 34 28 80</b>
<b>BE-NL</b>	<b>0800-29129</b>
<b>BE-FR</b>	<b>0800-29229</b>
<b>DE</b>	<b>0800 – 1860806</b>
<b>IT</b>	<b>N/A</b>
<b>ES</b>	<b>901-100 133</b>





<http://www.buffalo-appliances.com/> 

CU478\_EN\_A5\_v1\_2023/10/20