



V6/F - Lincat Silverlink 600 Electric Free-standing Oven - Fan-assisted - W 600 mm - 3.0 kW

The Silverlink 600 Electric Oven guarantees excellent performance and optimum efficiency.

- ✔ Fan assisted oven for superior heat distribution and reduced cooking times
- ✔ Excellent performance and optimum efficiency operating from a 13A plug
- ✔ Accommodates 2/3 gastronorms
- ✔ Rapid cool down feature
- ✔ Four shelf positions with two removable shelves
- ✔ Able to support Silverlink 600 counter top units such as boiling tops, bains marie, griddles and work tops
- ✔ Stainless steel interior with radiused corners and removable side shelf supports for easy cleaning

Specifications

Summary		Power and Performance	
Brand	Lincat	Total Power kW	3.00
Range	Silverlink 600	Temperature Range °C	50-250
Power Type	Electric	IP Rating	IP34
Unit Type	Free-standing	Temperature Control	Mechanical
Available in UK Only	No	Oven Rating kW	3.00
UK Warranty	2 Years Parts and Labour Warranty		
Export Warranty	Contact your local dealer		
GTIN	5056105100195		

Key Specifications		Capacity	
Number of Shelves included	2	Gastronorm Capacity	1 x GN2/3
Number of Shelf Positions	4		

Weights and Dimensions		Supply Connections	
Unit Height (External) mm	674	Requires Installation	No
Unit Width (External) mm	600	Requires Electrical Supply	Yes
Unit Depth (External) mm	623	UK 3 Pin Plug	Yes
Height (Internal) mm	420	Requires Hardwiring	No
Width (Internal) mm	470	Electrical Supply Rating Watts	3,000
Depth (Internal) mm	335	Single Phase Amps	13.0
Shelf Dimensions Width mm	455	Single Phase Voltage	230
Shelf Dimensions Depth mm	335		
Net Weight Kg	45.1		

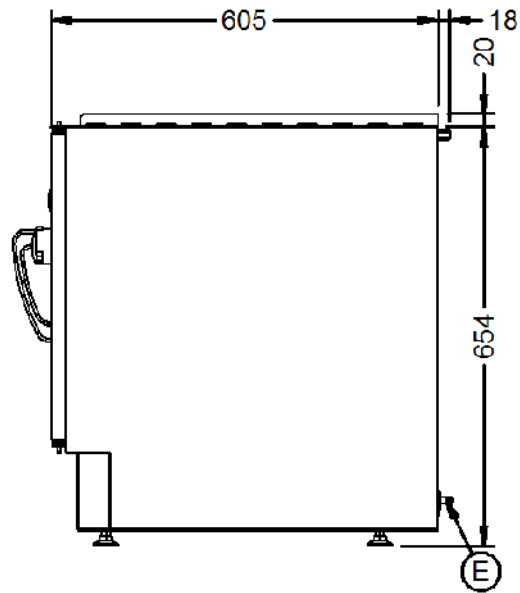
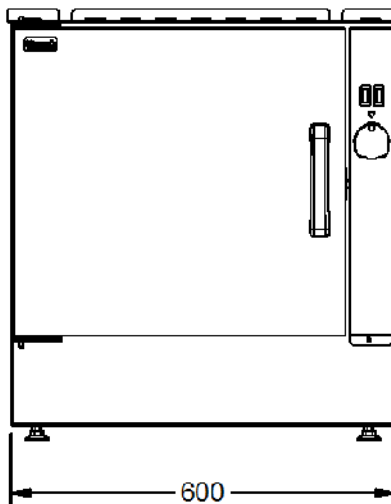
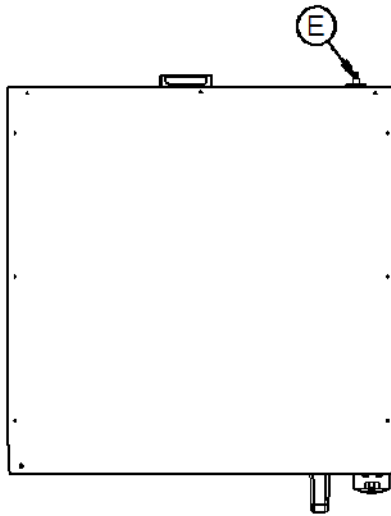
Shipping

Packed Weight Kg	52.61
Packed Height cm	102.3
Packed Width cm	70.3
Packed Depth cm	70.3

Available Accessories

SLS6V	Lincat Silverlink 600 Free-standing Floor Stand - for V6 Series Ovens - W 600 mm
V6/T	V6 TOP COVER - ACCESSORY ONLY

Technical Picture



Lincat Limited

Whisby Road,
Lincoln, LN6 3QZ,
United Kingdom

Company No: 2175448

A member company of



Customer Care

Tel: +44 1522 875500
Email: care@lincat.co.uk

Export Customers

Tel: +44 1522 875536
Email: export@lincat.co.uk

Opening Hours

Monday – Friday:
8.30am – 5pm